

- NOTES:**
1. CONCRETE TO BE CLASS # CONCRETE
 2. 8" WID. OUTTERS ON MAJOR STREETS & 4" OUTTERS ON MINOR STREETS
 3. LONGITUDINAL REINFORCING BARS TO BE 3" BARS PLACED 3" IN 8" OUTTERS, 3" IN 4" OUTTERS & 2" IN 4" VALLEY OUTTERS
 4. WELDED WIRE FABRIC DISCONTINUES AT EXPANSION JOINT
 5. ALL REINFORCING STEEL SHALL HAVE 2" MINIMUM CLEAR COVER UNLESS OTHERWISE SHOWN

VALLEY GUTTER WITHIN PUBLIC R/W

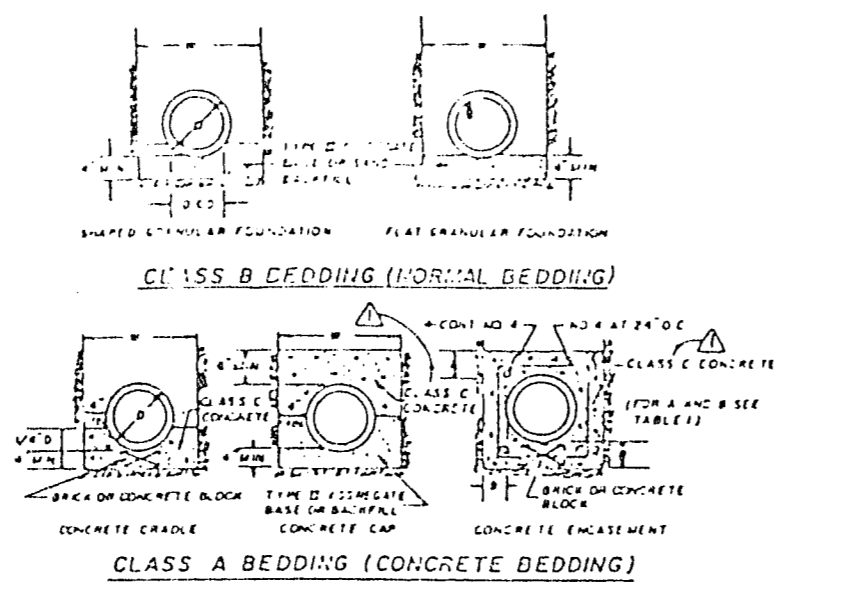
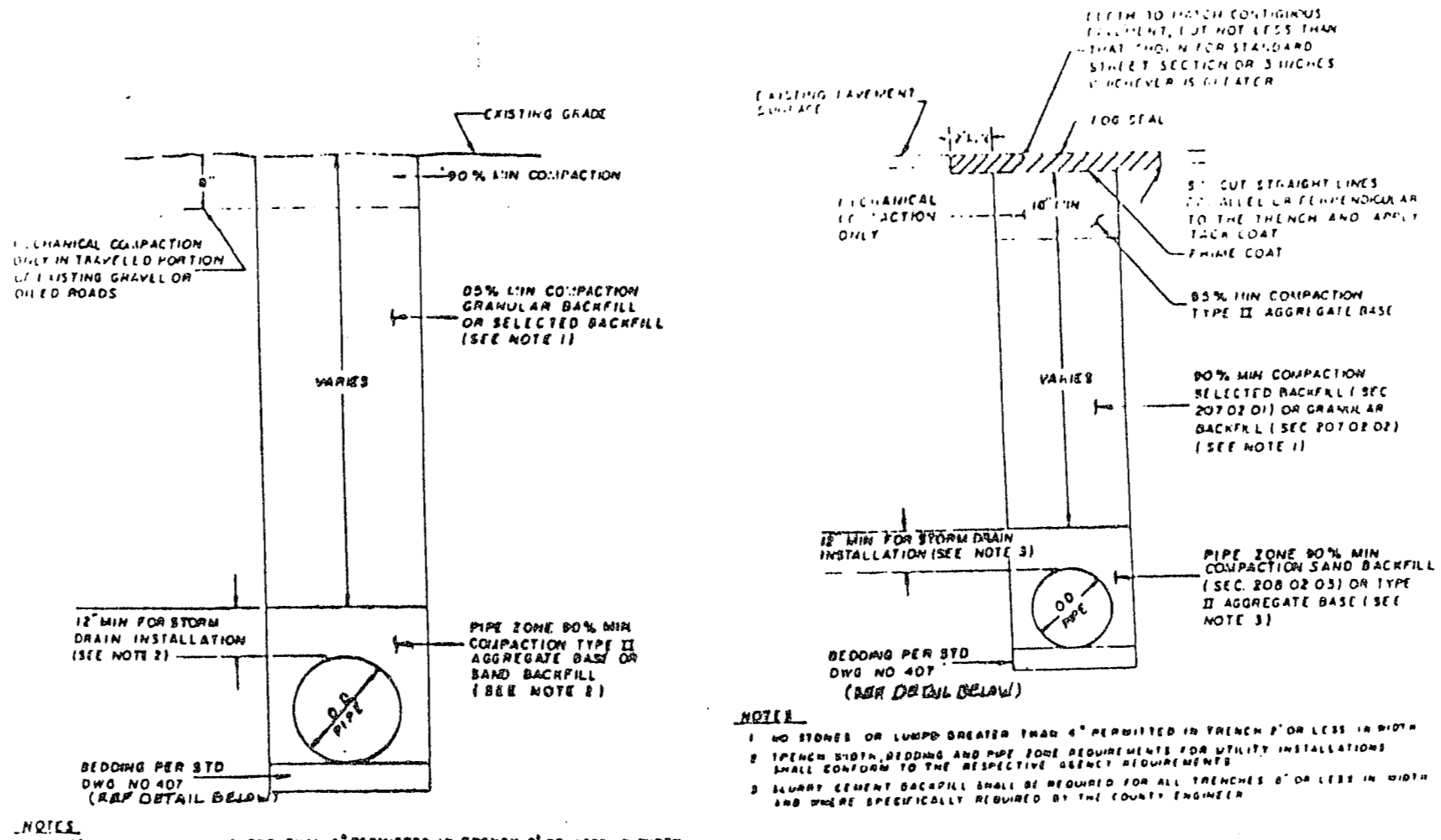


TABLE 1

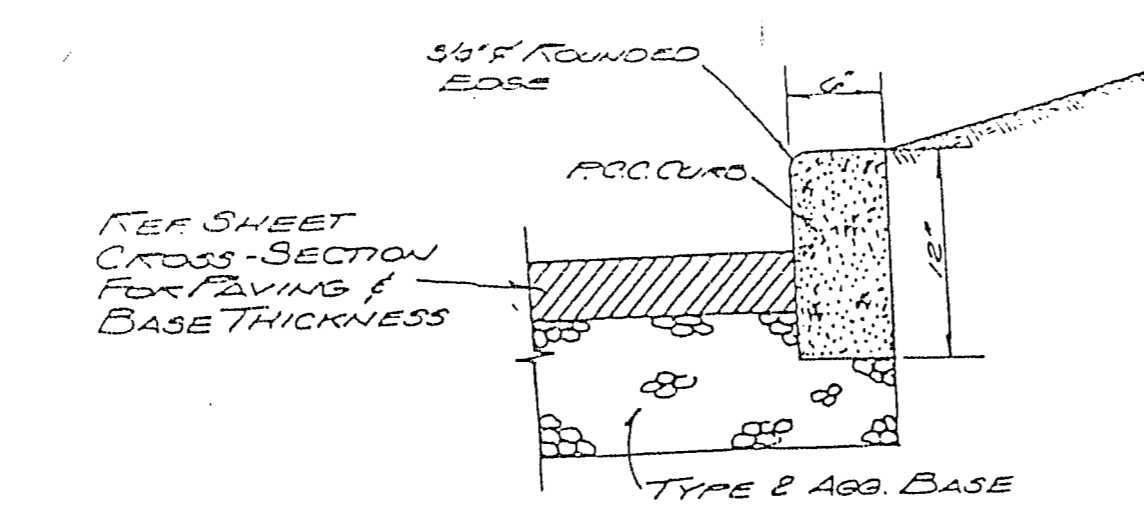
OUTER DIAMETER OF PIPE	MINIMUM BEDDING TO BE COMPACTED TO AT LEAST 90% OF MAXIMUM DENSITY
12" MIN TO 18" MAX	12" MIN TO 18" MAX
18" MIN TO 24" MAX	18" MIN TO 24" MAX
24" MIN TO 30" MAX	24" MIN TO 30" MAX
30" MIN TO 36" MAX	30" MIN TO 36" MAX
36" MIN TO 42" MAX	36" MIN TO 42" MAX
42" MIN TO 48" MAX	42" MIN TO 48" MAX
48" MIN TO 54" MAX	48" MIN TO 54" MAX
54" MIN TO 60" MAX	54" MIN TO 60" MAX
60" MIN TO 66" MAX	60" MIN TO 66" MAX
66" MIN TO 72" MAX	66" MIN TO 72" MAX
72" MIN TO 78" MAX	72" MIN TO 78" MAX
78" MIN TO 84" MAX	78" MIN TO 84" MAX
84" MIN TO 90" MAX	84" MIN TO 90" MAX
90" MIN TO 96" MAX	90" MIN TO 96" MAX
96" MIN TO 102" MAX	96" MIN TO 102" MAX
102" MIN TO 108" MAX	102" MIN TO 108" MAX
108" MIN TO 114" MAX	108" MIN TO 114" MAX
114" MIN TO 120" MAX	114" MIN TO 120" MAX
120" MIN TO 126" MAX	120" MIN TO 126" MAX
126" MIN TO 132" MAX	126" MIN TO 132" MAX
132" MIN TO 138" MAX	132" MIN TO 138" MAX
138" MIN TO 144" MAX	138" MIN TO 144" MAX
144" MIN TO 150" MAX	144" MIN TO 150" MAX
150" MIN TO 156" MAX	150" MIN TO 156" MAX
156" MIN TO 162" MAX	156" MIN TO 162" MAX
162" MIN TO 168" MAX	162" MIN TO 168" MAX
168" MIN TO 174" MAX	168" MIN TO 174" MAX
174" MIN TO 180" MAX	174" MIN TO 180" MAX
180" MIN TO 186" MAX	180" MIN TO 186" MAX
186" MIN TO 192" MAX	186" MIN TO 192" MAX
192" MIN TO 198" MAX	192" MIN TO 198" MAX
198" MIN TO 204" MAX	198" MIN TO 204" MAX
204" MIN TO 210" MAX	204" MIN TO 210" MAX
210" MIN TO 216" MAX	210" MIN TO 216" MAX
216" MIN TO 222" MAX	216" MIN TO 222" MAX
222" MIN TO 228" MAX	222" MIN TO 228" MAX
228" MIN TO 234" MAX	228" MIN TO 234" MAX
234" MIN TO 240" MAX	234" MIN TO 240" MAX
240" MIN TO 246" MAX	240" MIN TO 246" MAX
246" MIN TO 252" MAX	246" MIN TO 252" MAX
252" MIN TO 258" MAX	252" MIN TO 258" MAX
258" MIN TO 264" MAX	258" MIN TO 264" MAX
264" MIN TO 270" MAX	264" MIN TO 270" MAX
270" MIN TO 276" MAX	270" MIN TO 276" MAX
276" MIN TO 282" MAX	276" MIN TO 282" MAX
282" MIN TO 288" MAX	282" MIN TO 288" MAX
288" MIN TO 294" MAX	288" MIN TO 294" MAX
294" MIN TO 300" MAX	294" MIN TO 300" MAX
300" MIN TO 306" MAX	300" MIN TO 306" MAX
306" MIN TO 312" MAX	306" MIN TO 312" MAX
312" MIN TO 318" MAX	312" MIN TO 318" MAX
318" MIN TO 324" MAX	318" MIN TO 324" MAX
324" MIN TO 330" MAX	324" MIN TO 330" MAX
330" MIN TO 336" MAX	330" MIN TO 336" MAX
336" MIN TO 342" MAX	336" MIN TO 342" MAX
342" MIN TO 348" MAX	342" MIN TO 348" MAX
348" MIN TO 354" MAX	348" MIN TO 354" MAX
354" MIN TO 360" MAX	354" MIN TO 360" MAX
360" MIN TO 366" MAX	360" MIN TO 366" MAX
366" MIN TO 372" MAX	366" MIN TO 372" MAX
372" MIN TO 378" MAX	372" MIN TO 378" MAX
378" MIN TO 384" MAX	378" MIN TO 384" MAX
384" MIN TO 390" MAX	384" MIN TO 390" MAX
390" MIN TO 396" MAX	390" MIN TO 396" MAX
396" MIN TO 402" MAX	396" MIN TO 402" MAX
402" MIN TO 408" MAX	402" MIN TO 408" MAX
408" MIN TO 414" MAX	408" MIN TO 414" MAX
414" MIN TO 420" MAX	414" MIN TO 420" MAX
420" MIN TO 426" MAX	420" MIN TO 426" MAX
426" MIN TO 432" MAX	426" MIN TO 432" MAX
432" MIN TO 438" MAX	432" MIN TO 438" MAX
438" MIN TO 444" MAX	438" MIN TO 444" MAX
444" MIN TO 450" MAX	444" MIN TO 450" MAX
450" MIN TO 456" MAX	450" MIN TO 456" MAX
456" MIN TO 462" MAX	456" MIN TO 462" MAX
462" MIN TO 468" MAX	462" MIN TO 468" MAX
468" MIN TO 474" MAX	468" MIN TO 474" MAX
474" MIN TO 480" MAX	474" MIN TO 480" MAX
480" MIN TO 486" MAX	480" MIN TO 486" MAX
486" MIN TO 492" MAX	486" MIN TO 492" MAX
492" MIN TO 498" MAX	492" MIN TO 498" MAX
498" MIN TO 504" MAX	498" MIN TO 504" MAX
504" MIN TO 510" MAX	504" MIN TO 510" MAX
510" MIN TO 516" MAX	510" MIN TO 516" MAX
516" MIN TO 522" MAX	516" MIN TO 522" MAX
522" MIN TO 528" MAX	522" MIN TO 528" MAX
528" MIN TO 534" MAX	528" MIN TO 534" MAX
534" MIN TO 540" MAX	534" MIN TO 540" MAX
540" MIN TO 546" MAX	540" MIN TO 546" MAX
546" MIN TO 552" MAX	546" MIN TO 552" MAX
552" MIN TO 558" MAX	552" MIN TO 558" MAX
558" MIN TO 564" MAX	558" MIN TO 564" MAX
564" MIN TO 570" MAX	564" MIN TO 570" MAX
570" MIN TO 576" MAX	570" MIN TO 576" MAX
576" MIN TO 582" MAX	576" MIN TO 582" MAX
582" MIN TO 588" MAX	582" MIN TO 588" MAX
588" MIN TO 594" MAX	588" MIN TO 594" MAX
594" MIN TO 600" MAX	594" MIN TO 600" MAX
600" MIN TO 606" MAX	600" MIN TO 606" MAX
606" MIN TO 612" MAX	606" MIN TO 612" MAX
612" MIN TO 618" MAX	612" MIN TO 618" MAX
618" MIN TO 624" MAX	618" MIN TO 624" MAX
624" MIN TO 630" MAX	624" MIN TO 630" MAX
630" MIN TO 636" MAX	630" MIN TO 636" MAX
636" MIN TO 642" MAX	636" MIN TO 642" MAX
642" MIN TO 648" MAX	642" MIN TO 648" MAX
648" MIN TO 654" MAX	648" MIN TO 654" MAX
654" MIN TO 660" MAX	654" MIN TO 660" MAX
660" MIN TO 666" MAX	660" MIN TO 666" MAX
666" MIN TO 672" MAX	666" MIN TO 672" MAX
672" MIN TO 678" MAX	672" MIN TO 678" MAX
678" MIN TO 684" MAX	678" MIN TO 684" MAX
684" MIN TO 690" MAX	684" MIN TO 690" MAX
690" MIN TO 696" MAX	690" MIN TO 696" MAX
696" MIN TO 702" MAX	696" MIN TO 702" MAX
702" MIN TO 708" MAX	702" MIN TO 708" MAX
708" MIN TO 714" MAX	708" MIN TO 714" MAX
714" MIN TO 720" MAX	714" MIN TO 720" MAX
720" MIN TO 726" MAX	720" MIN TO 726" MAX
726" MIN TO 732" MAX	726" MIN TO 732" MAX
732" MIN TO 738" MAX	732" MIN TO 738" MAX
738" MIN TO 744" MAX	738" MIN TO 744" MAX
744" MIN TO 750" MAX	744" MIN TO 750" MAX
750" MIN TO 756" MAX	750" MIN TO 756" MAX
756" MIN TO 762" MAX	756" MIN TO 762" MAX
762" MIN TO 768" MAX	762" MIN TO 768" MAX
768" MIN TO 774" MAX	768" MIN TO 774" MAX
774" MIN TO 780" MAX	774" MIN TO 780" MAX
780" MIN TO 786" MAX	780" MIN TO 786" MAX
786" MIN TO 792" MAX	786" MIN TO 792" MAX
792" MIN TO 798" MAX	792" MIN TO 798" MAX
798" MIN TO 804" MAX	798" MIN TO 804" MAX
804" MIN TO 810" MAX	804" MIN TO 810" MAX
810" MIN TO 816" MAX	810" MIN TO 816" MAX
816" MIN TO 822" MAX	816" MIN TO 822" MAX
822" MIN TO 828" MAX	822" MIN TO 828" MAX
828" MIN TO 834" MAX	828" MIN TO 834" MAX
834" MIN TO 840" MAX	834" MIN TO 840" MAX
840" MIN TO 846" MAX	840" MIN TO 846" MAX
846" MIN TO 852" MAX	846" MIN TO 852" MAX
852" MIN TO 858" MAX	852" MIN TO 858" MAX
858" MIN TO 864" MAX	858" MIN TO 864" MAX
864" MIN TO 870" MAX	864" MIN TO 870" MAX
870" MIN TO 876" MAX	870" MIN TO 876" MAX
876" MIN TO 882" MAX	876" MIN TO 882" MAX
882" MIN TO 888" MAX	882" MIN TO 888" MAX
888" MIN TO 894" MAX	888" MIN TO 894" MAX
894" MIN TO 900" MAX	894" MIN TO 900" MAX
900" MIN TO 906" MAX	900" MIN TO 906" MAX
906" MIN TO 912" MAX	906" MIN TO 912" MAX
912" MIN TO 918" MAX	912" MIN TO 918" MAX
918" MIN TO 924" MAX	918" MIN TO 924" MAX
924" MIN TO 930" MAX	924" MIN TO 930" MAX
930" MIN TO 936" MAX	930" MIN TO 936" MAX
936" MIN TO 942" MAX	936" MIN TO 942" MAX
942" MIN TO 948" MAX	942" MIN TO 948" MAX
948" MIN TO 954" MAX	948" MIN TO 954" MAX
954" MIN TO 960" MAX	954" MIN TO 960" MAX
960" MIN TO 966" MAX	960" MIN TO 966" MAX
966" MIN TO 972" MAX	966" MIN TO 972" MAX
972" MIN TO 978" MAX	972" MIN TO 978" MAX
978" MIN TO 984" MAX	978" MIN TO 984" MAX
984" MIN TO 990" MAX	984" MIN TO 990" MAX
990" MIN TO 996" MAX	990" MIN TO 996" MAX
996" MIN TO 1002" MAX	996" MIN TO 1002" MAX

PIPE TRENCH BEDDING

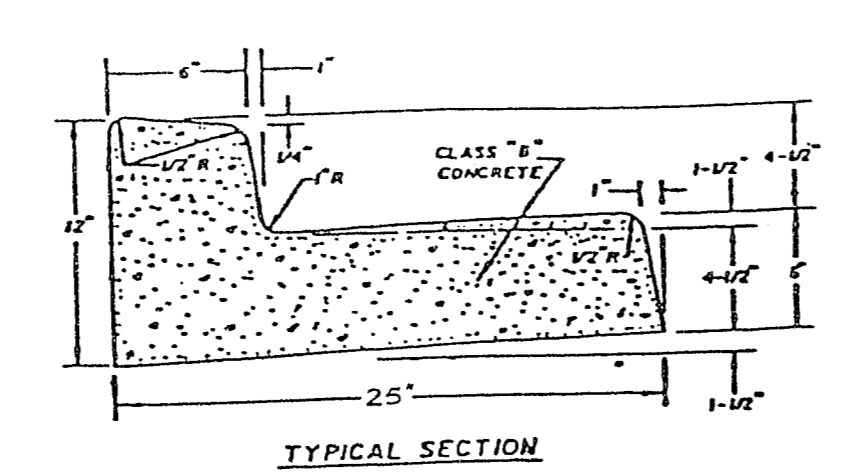


- NOTES:**
1. NO STONES OR LUMPS GREATER THAN 4" PERMITTED IN TRENCH 6" OR LESS IN WIDTH
 2. TRENCH WIDTH, BEDDING AND PIPE ZONE BEDDING MUST BE INSPECTED AND ACCEPTED PRIOR TO BACKFILLING. CLEAN-OUTS & ALL ACCESSORIES MUST BE OF MATERIAL APPROVED BY THE DISTRICT.
 3. BEDDING TO MATCH EXISTING CONDITIONS. EXISTING, BUT NOT LESS THAN 3" MIN. THICKNESS FOR EXISTING SIDEWALK SECTION OR 3" MIN. THICKNESS FOR DRIVEWAY SECTION.

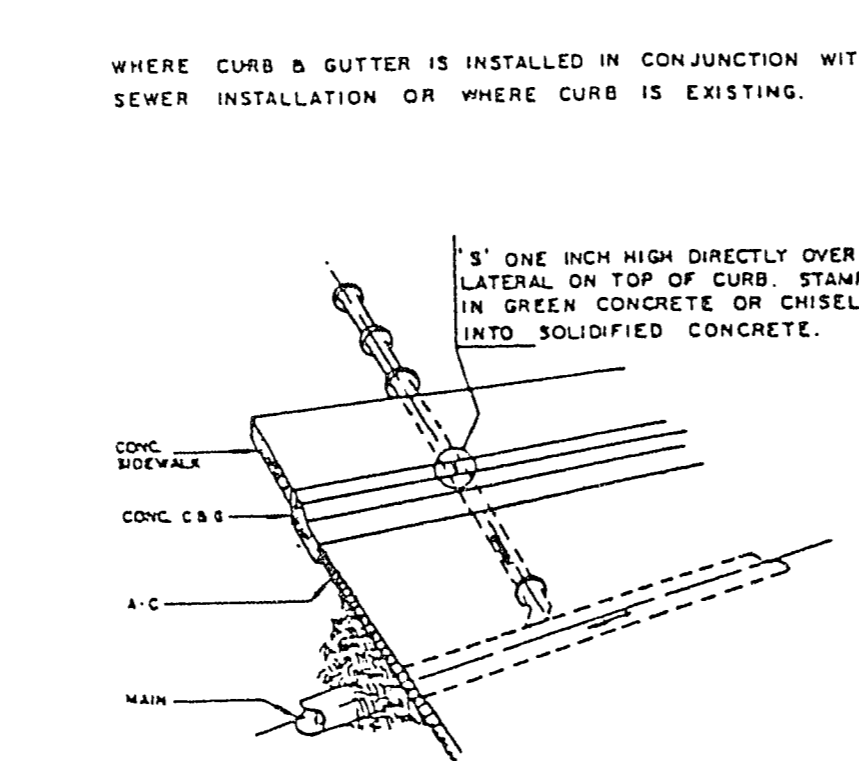
UNPAVED AREAS



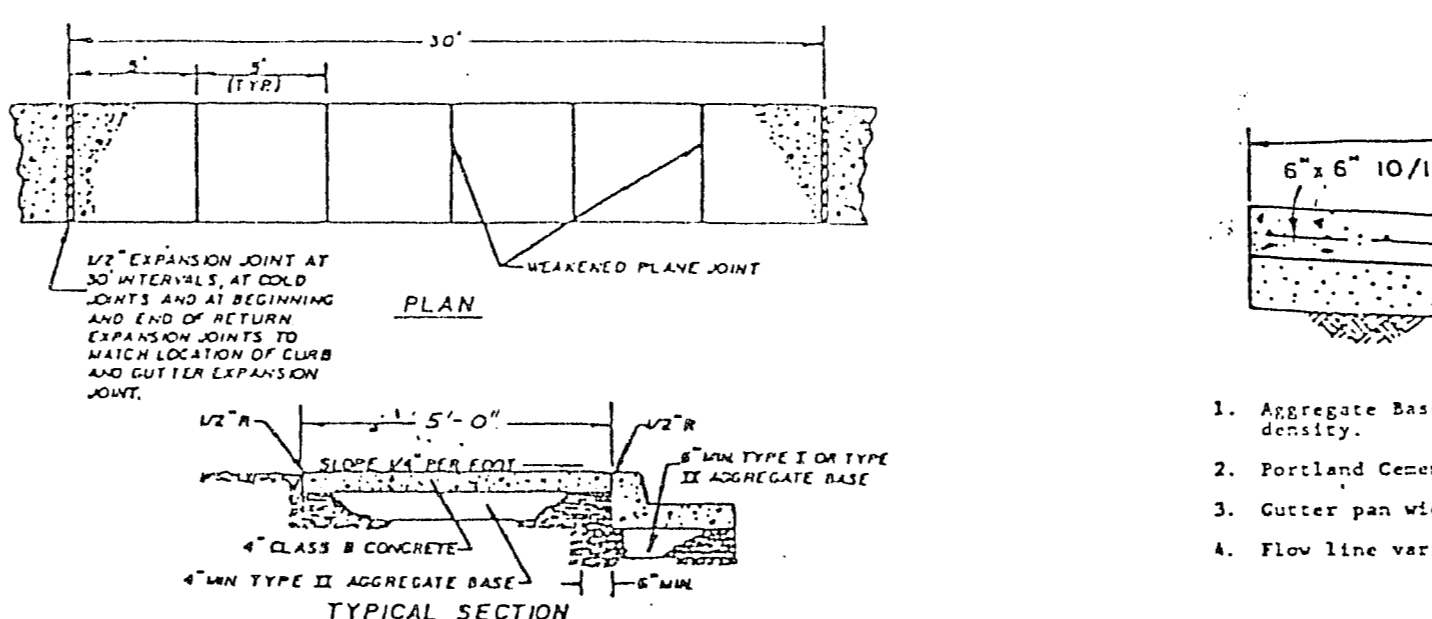
6" TYPE "A" POST CURB



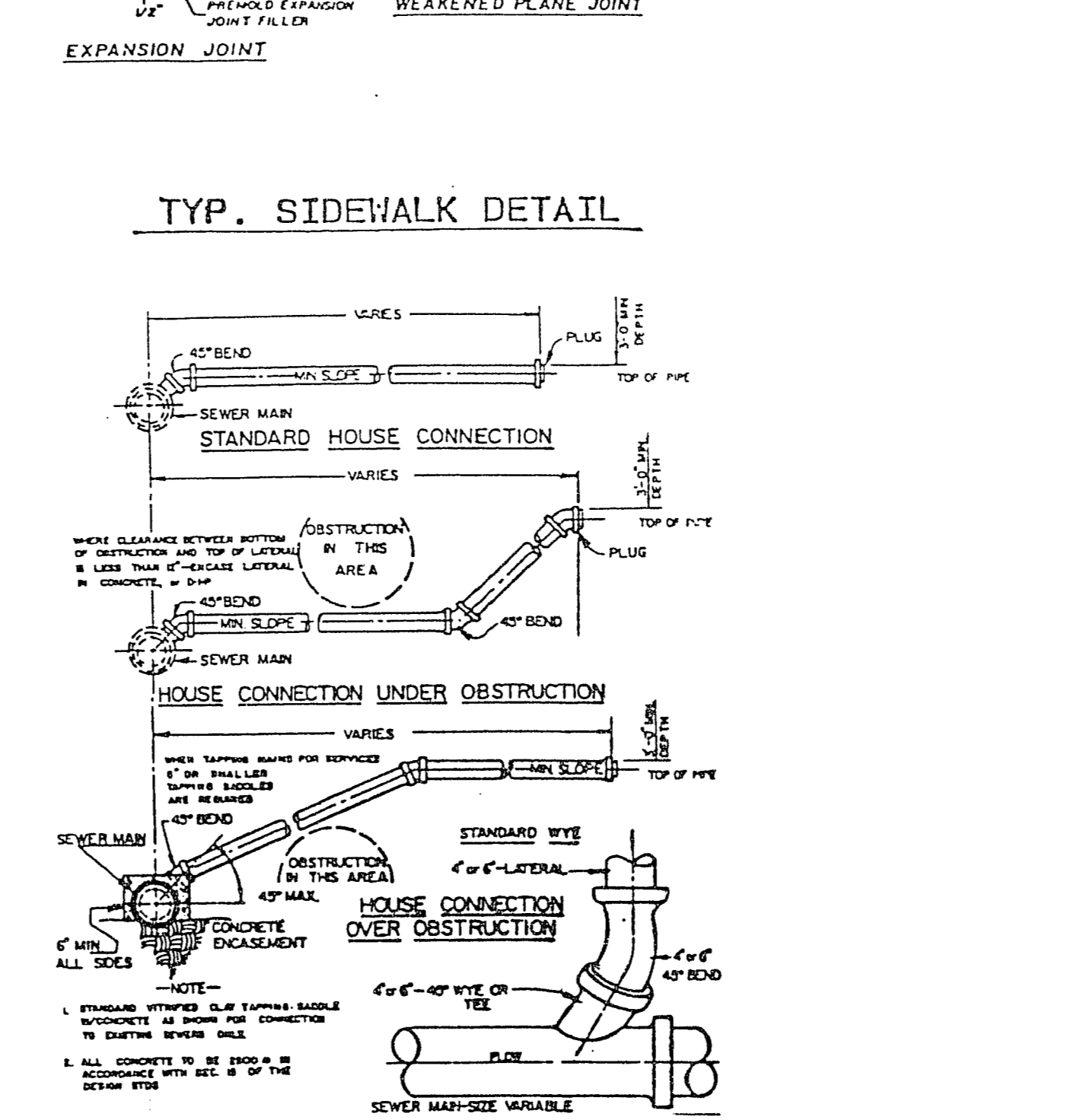
6" "L" TYPE CURB AND GUTTER



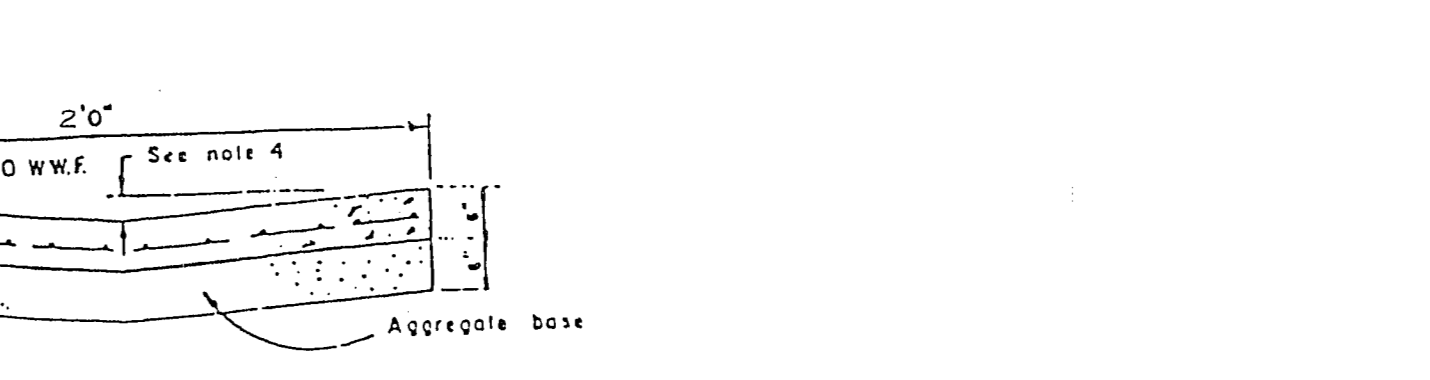
LATERAL MARKINGS



TYP. SIDEWALK DETAIL

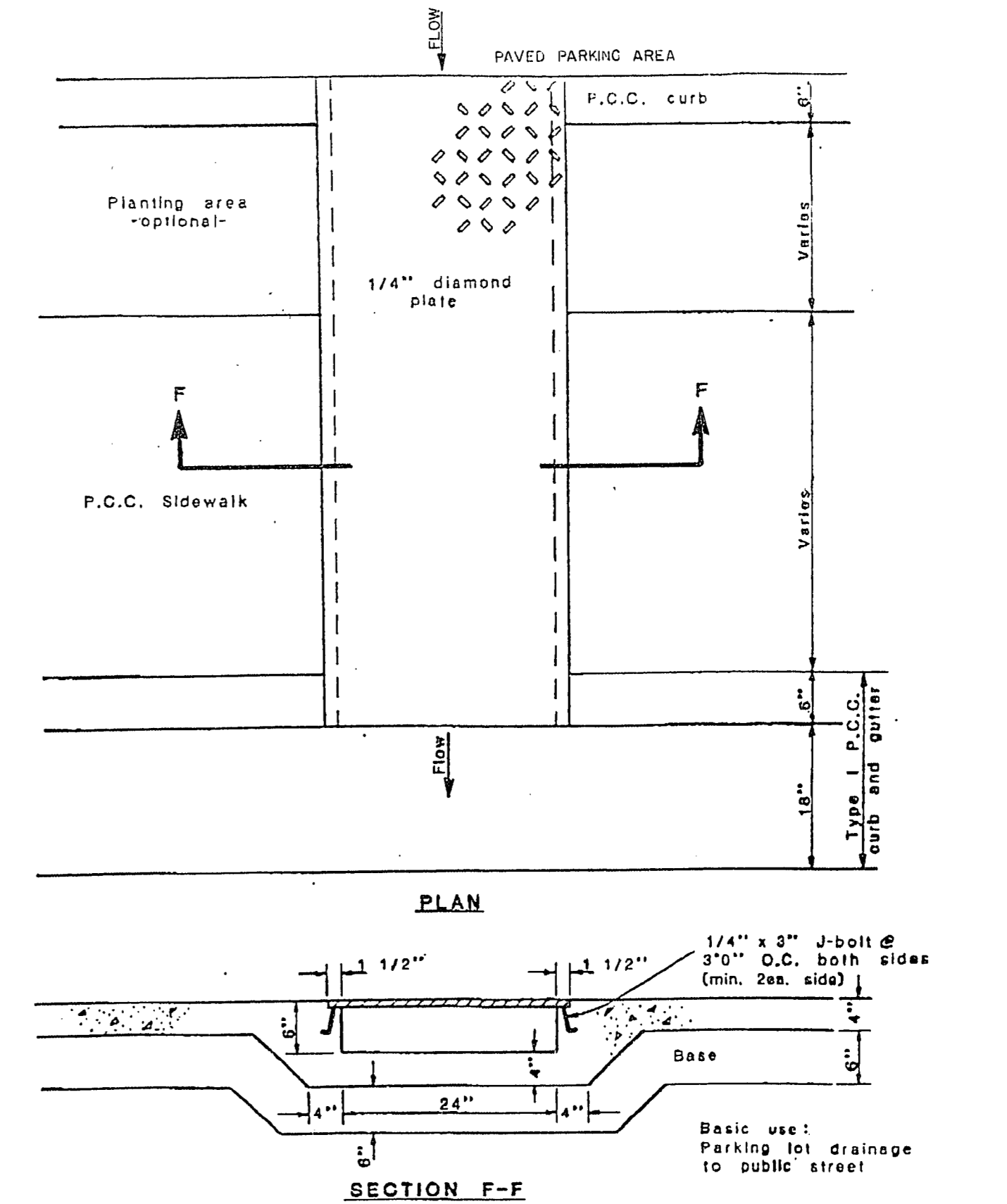


LATERAL CONNECTION

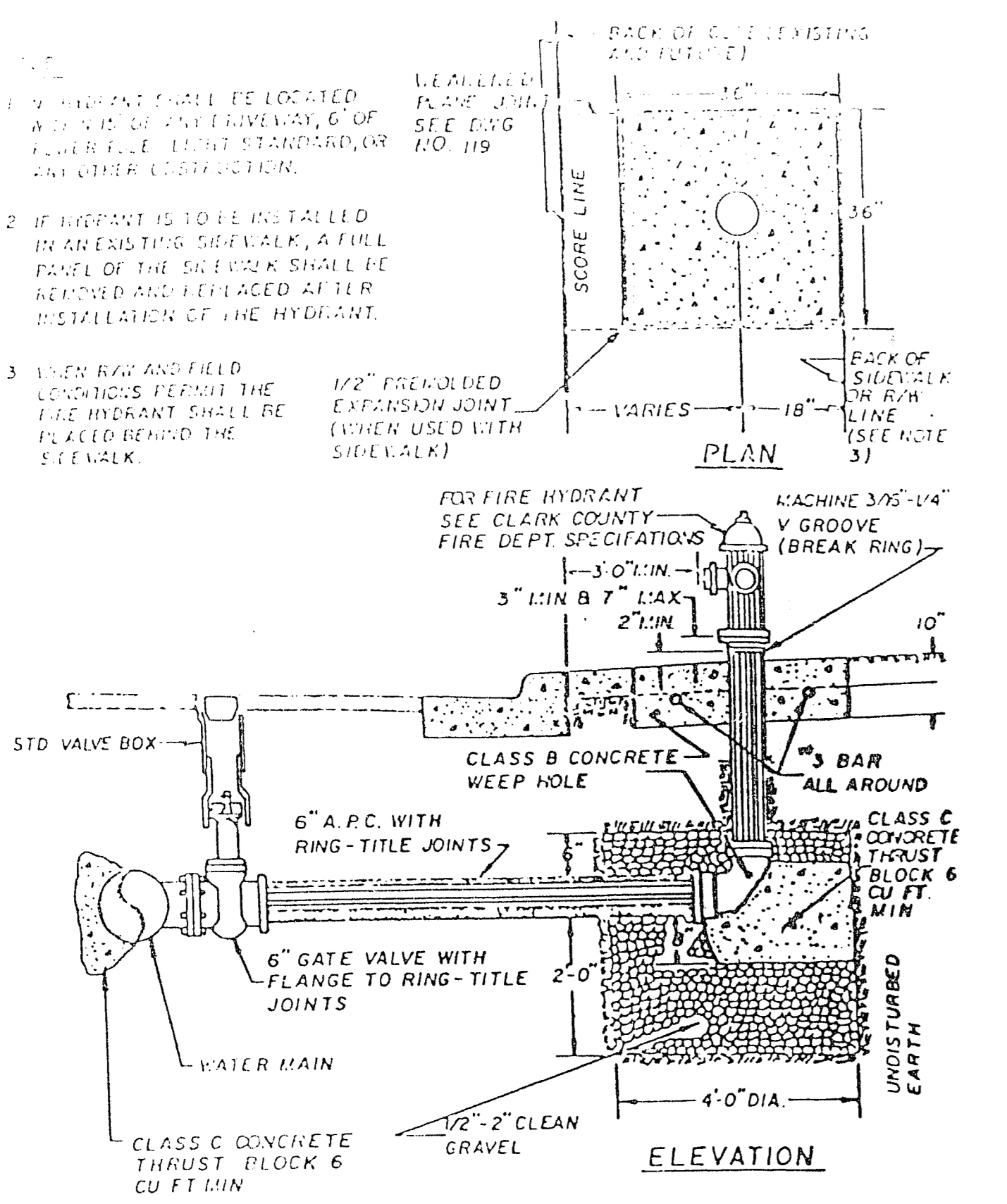


STD. CLEAN OUT

TYP. VALLEY GUTTER (PRIVATE)



SIDEWALK CROSS-DRAIN DETAIL



STD. FIRE HYDRANT DETAIL

[Signature]
1/28/88