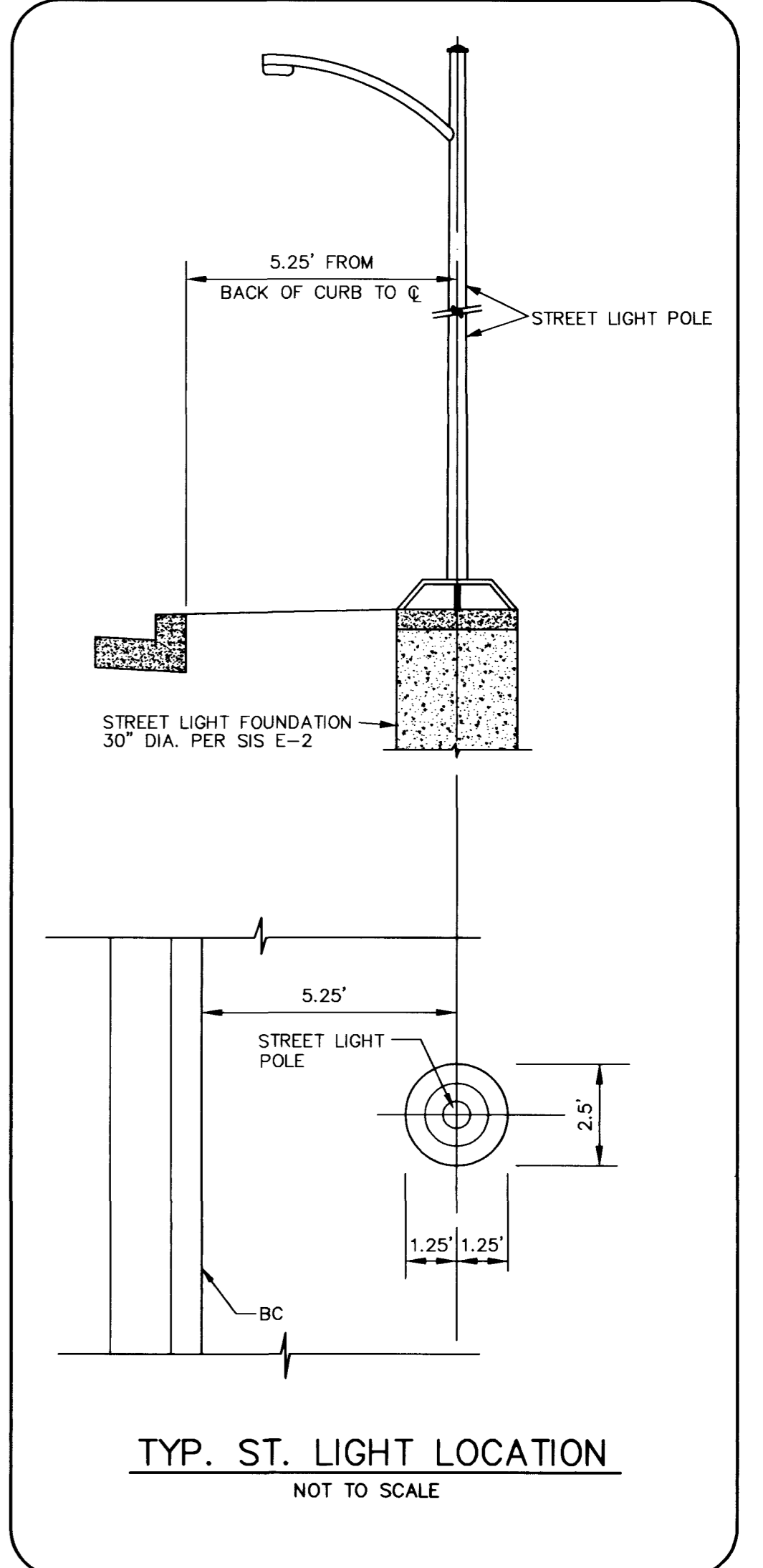


REDUCED PRESSURE PRINCIPLE ASSEMBLY 1-1/2" APPROVED REDUCED-PRESSURE PRINCIPLE ASSEMBLY(S) SHALL BE INSTALLED PER THE UDACS PLATE NO. 11A. NO WATER SHALL BE TAKEN FROM A SERVICE REQUIRING BACKFLOW PREVENTION UNTIL THE REDUCED PRESSURE PRINCIPLE ASSEMBLY HAS BEEN SUCCESSFULLY TESTED BY THE L.V.V.W.D. ANY BLOCK WALL OR OTHER FENCE MATERIAL SHALL BE DESIGNED AND CONSTRUCTED AROUND THE OUTSIDE OF THE EASEMENT(S) TO ALLOW THE DISTRICT DIRECT ACCESS FROM THE ADJACENT RIGHT-OF-WAY. THIS PROPERTY MAY HAVE STATIC WATER PRESSURE IN EXCESS OF 80 PSI. THE UNIFORM PLUMBING CODE REQUIRES THAT INDIVIDUAL ON-SITE (PRIVATE), PRESSURE REDUCING VALVES BE INSTALLED WHENEVER THE PRESSURE EXCEEDS 80 PSI. PRVs ARE THE DEVELOPER'S RESPONSIBILITY AND WILL NOT BE INSPECTED OR INCLUDED IN THE ACCEPTANCE OF L.V.V.W.D. FACILITIES. FIRE HYDRANTS INSTALLATION FIRE HYDRANT(S) TO BE INSTALLED IN ACCORDANCE WITH THE UDACS STANDARD PLATE NO. 7. THIS PLAN IS INTENDED TO INDICATE THE RELATIONSHIP OF THE VARIOUS UTILITIES TO EACH OTHER. WITH THE EXCEPTION OF THE WATER FACILITIES, THE INFORMATION ON THIS PLAN SHALL NOT BE USED FOR CONSTRUCTION.



**BENCHMARKS**  
G.C. WALLACE PROJECT BENCHMARK NO. 107, A 2" BRASS DISK IN CONCRETE, LYING SOUTH 44°00'38" EAST, 641.6' FROM THE INTERSECTION OF HUALAPAI WAY AND TOWN CENTER DRIVE.  
ELEVATION = 2877.96  
CITY OF LAS VEGAS BENCHMARK  
OLV001954 RIVET & PLATE IN TOP OF CURB NW SIDE OF TOWN CENTER DR. AND SOUTH CIRCLE ISLAND.  
2725.923 NAVD 1989 DATUM  
2728.37 NAVD 1989 DATUM (831.6074 M)  
2726.19 SUMMERLIN DATUM \* PROJECT DATUM  
SUMMERLIN DATUM = NAVD - 2.18'

**BASIS OF BEARINGS**  
SOUTH 11°16'20" EAST, BEING THE BEARING OF THE CENTERLINE OF PAVILION CENTER DRIVE AS SHOWN BY "THE ARBORS AT SUMMERLIN VILLAGE 11/12 UNIT 2A" ON FILE IN BOOK 75, PAGE 75 OF PLATS IN THE CLARK COUNTY RECORDER'S OFFICE CLARK COUNTY, NEVADA.

\* ALL WATER SERVICES SHALL BE FROM ZONE 3320 AND SHALL BE EQUIPPED WITH STANDARD PRESSURE REDUCING VALVES.

\*\* LEWIS HOMES TO PROVIDE 1" WATER METER AND RPPA FOR MINI-PARK IRRIGATION, AND POWER SERVICE FOR CONTROLLER.

**APPROVALS**  
1st approval 5-15-98  
2nd approval 5-28-98  
6-26-98 DATE  
LAS VEGAS VALLEY WATER DISTRICT

AVOID CUTTING UNDERGROUND UTILITY LINES. IT'S COSTLY!  
**Call before you Dig.**  
1-800-227-2600  
UNDERGROUND SERVICE (USA)

RECOMMENDED 5/24/99 DATE  
1535 SOUTH RAINBOW BLVD., LAS VEGAS, NEVADA 89108  
PHONE: 702-885-2600  
G.C. WALLACE, INC.  
Engineering/Architecture  
SHEET 4 OF 14 SHEETS  
NAPA HILLS BY LEWIS HOMES UNIT 2 OVERALL SCHEMATIC UTILITY PLAN  
JOB NO. 5543.921  
17138  
8559 31  
307Y-4560-2

