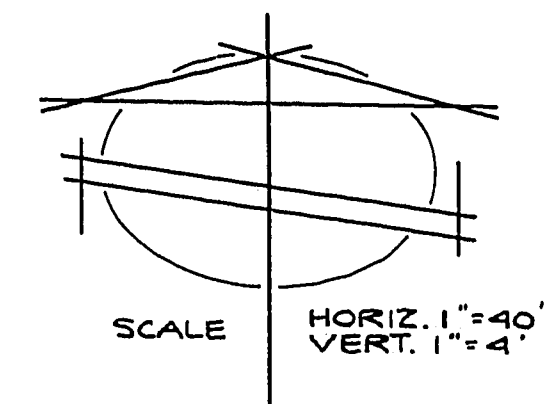
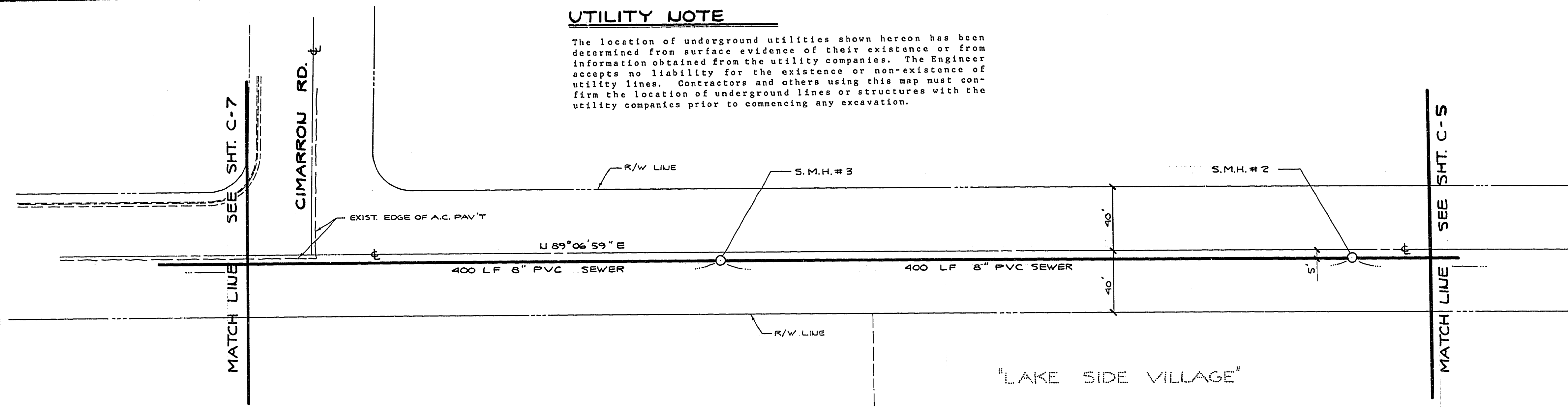


UTILITY NOTE

The location of underground utilities shown hereon has been determined from surface evidence of their existence or from information obtained from the utility companies. The Engineer accepts no liability for the existence or non-existence of utility lines. Contractors and others using this map must confirm the location of underground lines or structures with the utility companies prior to commencing any excavation.



BENCH MARK

B.L.M. BRASS CAP, LOCATED AT THE CENTER OF CHARLESTON BLVD. AND BLADES DIRT ROAD. (BUFFALO DR.) APPROX. 600 FEET WEST FROM COOSW34 (SECTION CORNER)
ELEV. = 2527.60 C.L.V. EUG. DEPT. DATUM

SEWER LINE NOTES

- All construction and materials shall be in accordance with Design and Construction Standards of the City of Las Vegas and the Uniform Standard Specifications for Public Works Construction Office Improvement, Clark County, Nevada, 1978. In all cases, the City's Criteria shall supersede the Uniform Standard Specifications.
- City of Las Vegas drawings shall be applied to all construction.
- Sewer manholes to be laid in sewer trenches.
- All 4" house laterals to be laid at not less than minimum slope.
- Sewer lateral locations to be marked in accordance with Standard Drawing 30-11 in the District Standards. (Clark County Sanitation District).
- It shall be the contractor's responsibility to perform construction as per plans. Any additions, deletions, or changes shall first meet with the approval of the City of Las Vegas.
- If a lateral is under a driveway, concrete slab, or A.C. area, a cleanout shall be installed and raised to grade with a slotted brass cap or within a water meter box which as a metal cover marked "Sew. C.O."
- Cut sheets must be submitted to the City before construction will be permitted to start.
- All contractors installing sewer lines which will be under the jurisdiction of the City of Las Vegas must be Class "A" Contractors.
- Construction Concrete Collars per Standard Drawing No. 512-9.

NOTE:
OVERSIZE TO 10" PVC
FOR SEWER QUALITIES SEE SHT. C-8

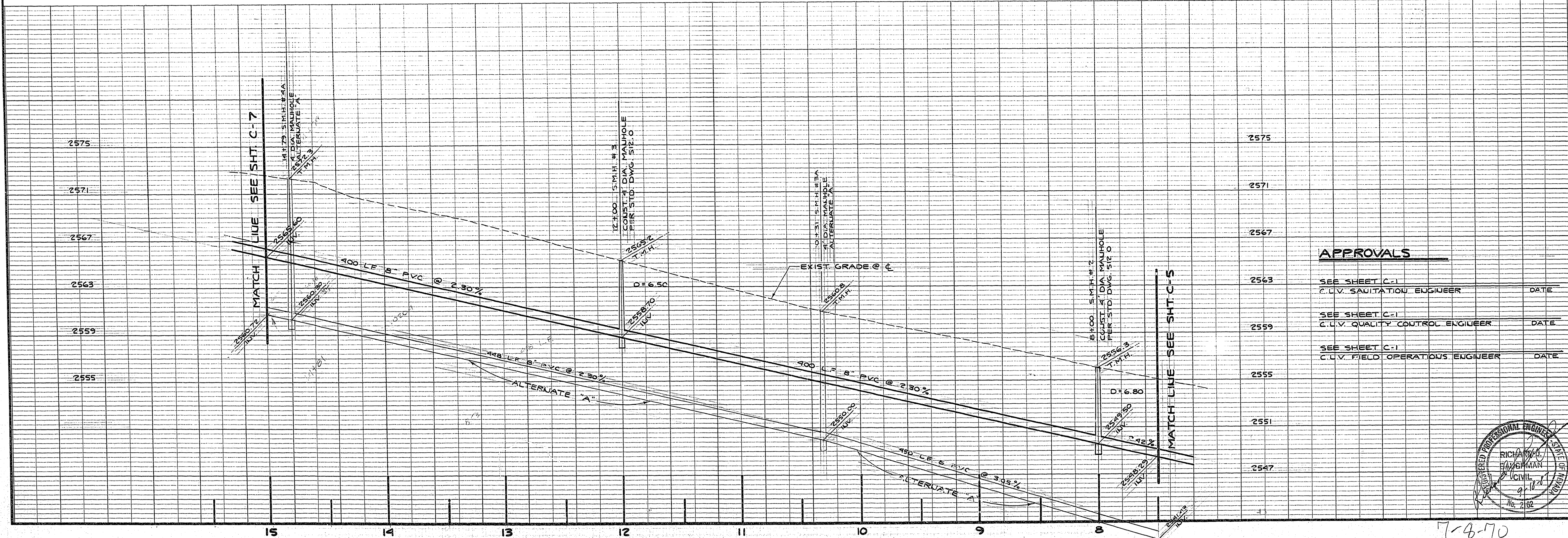
15+00 MATCH LINE
14+61.30 C.C. INTERSECTION

12+00 S.M.H. #3

8+00 S.M.H. #2

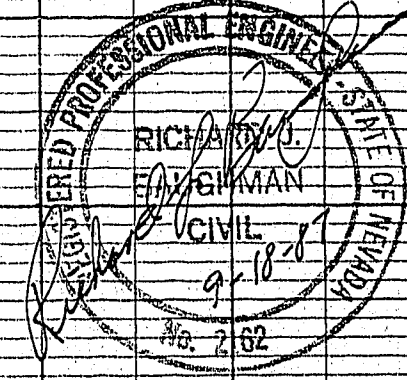
7+50 MATCH LINE

ALTA DRIVE



APPROVALS

| | | |
|---------------|----------------------------------|------|
| SEE SHEET C-1 | C.L.V. SANITATION ENGINEER | DATE |
| SEE SHEET C-1 | C.L.V. QUALITY CONTROL ENGINEER | DATE |
| SEE SHEET C-1 | C.L.V. FIELD OPERATIONS ENGINEER | DATE |



APP'D: []
DATE: JULY 1987
DESIGN: D.S.T.
DRAWN: D.S.T.
CHECK: J.W.L.
SCALE: AS SHOWN

BAUGHMAN & TURNER
MINING ENGINEERS
LAND SURVEYORS
3225 WEST CHARLESTON BOULEVARD
LAS VEGAS, NEVADA 89102
702-870-8771

SEWER LINE DESIGN
SECTION 35, TOWNSHIP 20 SOUTH, RANGE 30 EAST, M.D.B.M.
CITY OF LAS VEGAS, CLARK COUNTY, NEVADA

PASO ROBLES ESTATES

PROJ. NO. 3071-2488
SHEET 1 OF 2
FB. 162, PG. 6