

Book 880719

17,7575

MONUMENTATION LOCATION MAP PALISADES ESTATES PHASE II

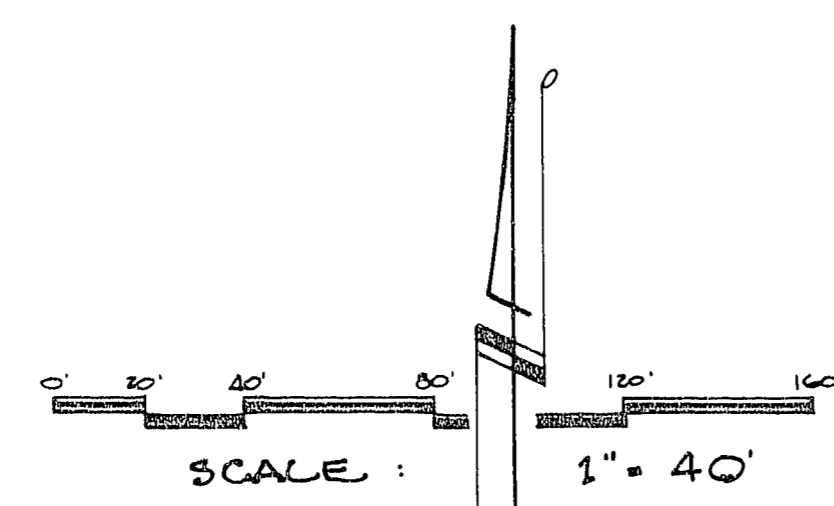
THE E. 1/2 OF THE S.W. 1/4 OF THE N.E. 1/4 OF THE S.E. 1/4 OF SECTION 4,
T. 21 S., R. 60 E., M.D.B. & M., CITY OF LAS VEGAS, STATE OF NEVADA

CURVE TABLE:

CURVE	ARC	DELTA	RADIUS	TAN LENGTH
C1	311.86	88° 17' 44"	20.00	21.84
C2	18.87	48° 36' 43"	20.00	8.03
C3	188.88	87° 13' 28"	20.00	19.03
C4	18.87	48° 36' 43"	20.00	8.03
C5	28.87	64° 42' 18"	20.00	12.23

LINE TABLE:

LINE	BEARING	DISTANCE
L1	N 4° 05' 40" W	30.12
L2	N 4° 05' 40" W	30.12
L3	S 4° 05' 34" E	30.12
L4	S 4° 05' 34" E	30.12
L5	N 4° 05' 37" W	30.12



- LEGEND:**
- MONUMENTS FOUND AS NOTED.
 - △ SET 5/8" REBAR & ALUM. CAP PLS 8305 WITH BRASS CAP TIES.
 - E-1 FINAL MAP OF PALISADES ESTATES PER PLS 23 PAGE 11.
 - () RECORD INFORMATION PER SOURCE INDICATED.
 - R-2 RECORD OF SURVEY FILE 23, PAGE 80.
 - R-3 PARCEL MAP FILE 27, PAGE 19.
 - BUILDING SET-BACK LINE.
 - 33 TYPICAL LOT NUMBER.
 - L1 LINE DATA (SEE TABLE).
 - C1 CURVE DATA (SEE TABLE).
 - P.U.S.E. PUBLIC UTILITY & SEWER EASEMENT.

- MONUMENTATION LEGEND**
- △ SET 5/8" REBAR & ALUM. CAP PLS 8305
 - SET 1 3/8" BRASS CAP R.M. PLS 8305 IN T/C (UNLESS OTHERWISE NOTED)

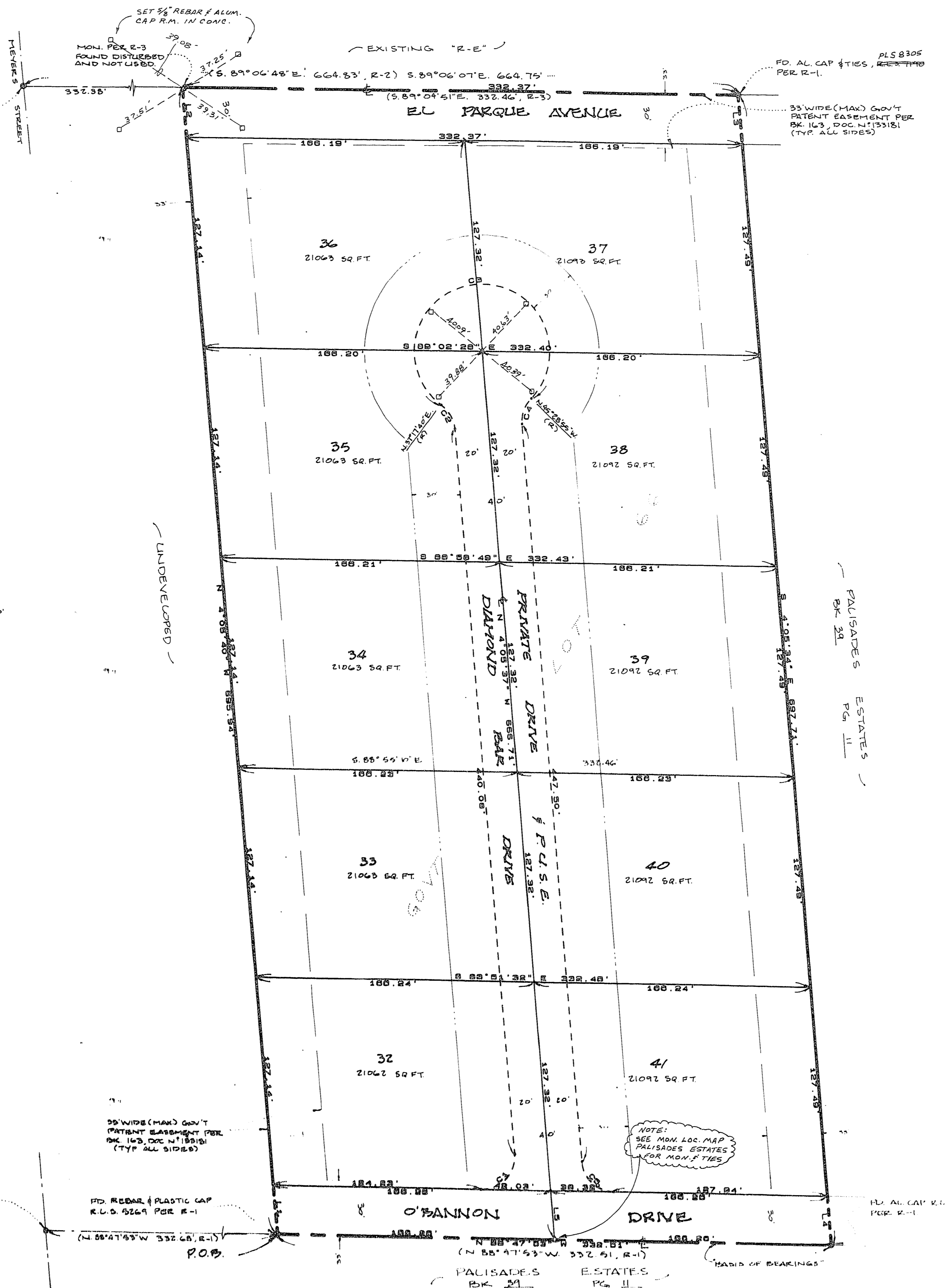
MONUMENTATION CERTIFICATE

I, KENNETH L. KREEGER, A PROFESSIONAL LAND SURVEYOR DULY REGISTERED IN THE STATE OF NEVADA, DO HEREBY CERTIFY THE MONUMENTS HAVE BEEN SET AS PER CERTIFICATE OF AMENDMENT ON FILE IN THE OFFICE OF THE CITY SURVEYOR OF THE CITY OF LAS VEGAS AND RECORDED IN BOOK 910521 AS INSTRUMENT NO. 00875, OFFICIAL RECORDS OF CLARK COUNTY, NEVADA, AND THAT THE TIE DISTANCES ESTABLISHED ARE AS SHOWN HEREON. THIS SURVEY WAS COMPLETED ON OR BEFORE AUGUST 23, 1991.

Kenneth L. Kreeger
KENNETH L. KREEGER, PLS 8305



BASIS OF BEARINGS:
THE SOUTH LINE OF THE E. 1/2 OF THE S.W. 1/4 OF THE N.E. 1/4 OF THE S.E. 1/4 OF SECTION 4, T. 21 S., R. 60 E., M.D.B. & M., CITY OF LAS VEGAS, STATE OF NEVADA, BEING ALSO THE CENTERLINE OF O'BANNON AVE. AND NOTED AS N 08° 47' 43" W ON THAT FINAL MAP OF PALISADES ESTATES PER PLS 21 PG. 11



BOOK 40 PAGE 3