

ESTIMATE OF WATER QUANTITIES (PUBLIC)

2" DOUBLE CHECK DETECTOR ASSEMBLY ("N" SERIES (FEBCO-876 OR EQUAL))	1 EA
FIRE HYDRANT TO BE RELOCATED	1 EA
8" PVC WATER MAIN	45 LF
2" METER W/RPPA	3 EA
8"X10" REDUCER	6 EA
8"-90° BEND	1 EA
1/2" METER W/RPPA	1 EA

NOTE: THESE QUANTITIES ARE ESTIMATES ONLY. CONTRACTOR SHALL VERIFY.

ESTIMATE OF WATER QUANTITIES (PRIVATE)

8" PVC WATER MAIN	2,784 LF
6" PVC WATER	213 LF
FIRE HYDRANT ASSEMBLY	10 EA
8" GATE VALVE	6 EA
8"X8"X8" TEE	5 EA
8"X8"X6" TEE	8 EA
8"X6" REDUCER	3 EA
8"X10" REDUCER	1 EA
8" 22-1/2° BEND	1 EA
8" 11-1/4° BEND	1 EA
8"-45° BEND	1 EA
8"-90° BEND	6 EA
6" 11-1/4° BEND	1 EA
6"-90° BEND	1 EA
6" X 6" TEE	1 EA
12" X 8" TAP	1 EA

NOTE: THESE QUANTITIES ARE ESTIMATES ONLY. CONTRACTOR SHALL VERIFY AND BID ACCORDINGLY.

FIRE FLOW CALCULATIONS

THE FIRE FLOW REQUIREMENT IS: 3,250 GALLONS PER MINUTE
20 PSI RESIDUAL PRESSURE.

BASED ON:
SQUARE FOOTAGE: 60,000 SQUARE FEET
LARGEST AREA BETWEEN 4-HOUR AREA SEPARATION WALLS: N/A SQUARE FEET
BUILDING HEIGHT: 25 FEET
NUMBER OF STORIES: 1 FLOORS
TYPE OF CONSTRUCTION: V-NON RATED
OCCUPANCY: COMMERCIAL
FULL AUTOMATIC FIRE SPRINKLER SYSTEM: YES

REVIEWED BY: *R Miller*
DATE: 6/5/98

TRAFFIC AND ST. LIGHT QUANTITIES

STREET LIGHT (PUBLIC) TO BE RELOCATED	1 EA
PARKING LOT LIGHT (PRIVATE)	16 EA
STOP SIGN - R1-1	4 EA

NOTE: STREET LIGHT(S) TO BE INSTALLED IN ACCORDANCE WITH C.C. AREA STD. DWGS. 320 & 321

FIRE HYDRANT INSTALLATION

FIRE HYDRANT(S) TO BE INSTALLED IN ACCORDANCE WITH THE UDACS STANDARD PLATE NO. 7.

LEGEND

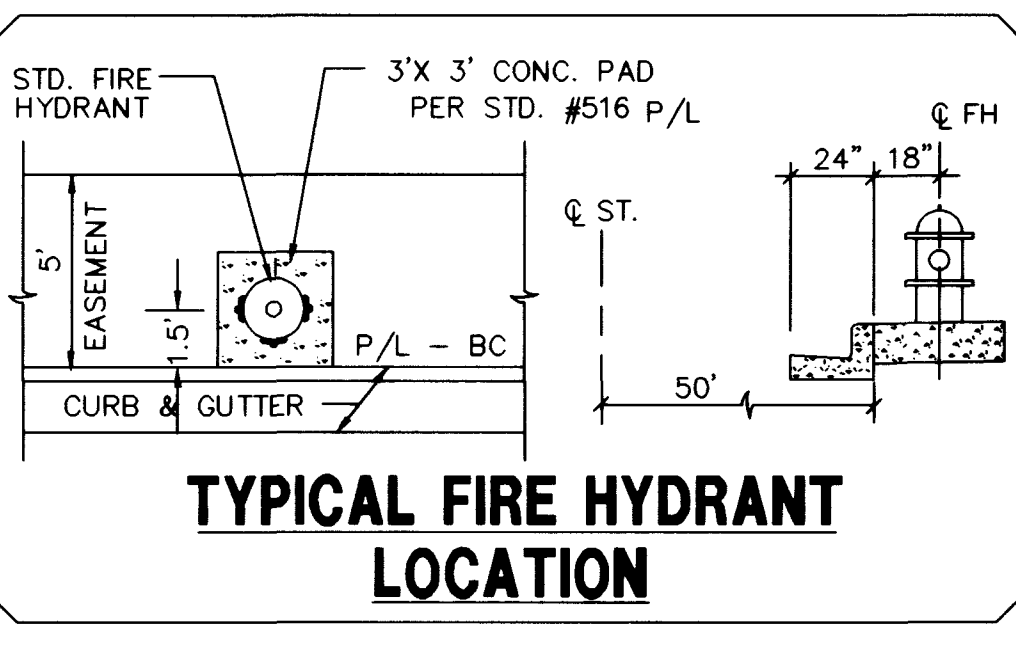
- EX-18"ACP --- EXISTING WATER LINE
- 8" FIRE --- PROPOSED WATER LINE
- 2 1/2" W --- PROPOSED WATER LINE
- 2" W --- PROPOSED WATER LINE
- EX-8"SWR --- EXISTING SEWER LINE
- 8" SWR --- PROPOSED SEWER LINE
- 6" SWR --- PROPOSED SEWER LINE
- 4" SWR --- PROPOSED SEWER LINE
- EX. MH --- EXISTING SEWER MANHOLE
- MH --- PROPOSED SEWER MANHOLE
- --- PROPOSED SEWER LATERAL
- --- EXISTING FIRE HYDRANT
- --- PROPOSED FIRE HYDRANT
- --- EXISTING STREET LIGHT
- --- PASSENGER LOADING AREA
- --- HANDICAPPED ACCESS ROUTE
- --- FIRE LANE (PAINTED RED)
- --- NO PARKING

NOTE

THIS PROPERTY MAY HAVE STATIC WATER PRESSURE IN EXCESS OF 80 PSI. THE UNIFORM PLUMBING CODE REQUIRES THAT INDIVIDUAL ON-SITE (PRIVATE), PRESSURE REDUCING VALVES BE INSTALLED WHENEVER THE PRESSURE EXCEEDS 80 PSI. PRIVATE'S ARE THE DEVELOPER'S RESPONSIBILITY AND WILL NOT BE INSPECTED OR INCLUDED IN THE ACCEPTANCE OF LVWD FACILITIES.

(ADDITIONAL QUANTITIES)

10" DOUBLE CHECK DETECTOR CHECK ASSEMBLY ("N" SERIES FEBCO-876 OR EQUAL) 1 EA



REDUCE PRESSURE PRINCIPLE ASSEMBLY (3-2")

APPROVED REDUCED PRESSURE PRINCIPLE ASSEMBLY(S) SHALL BE INSTALLED PER THE UDACS PLATE NO. 11A. NO WATER SHALL BE TAKEN FROM A SERVICE REQUIRING BACKFLOW PREVENTION UNTIL THE REDUCED PRESSURE PRINCIPLE ASSEMBLY HAS BEEN SUCCESSFULLY TESTED BY THE LVWD.

ANY BLOCK WALL OR OTHER FENCE MATERIAL SHALL BE DESIGNED AND CONSTRUCTED AROUND THE OUTSIDE OF THE EASEMENT(S) TO ALLOW THE DISTRICT DIRECT ACCESS FROM THE ADJACENT RIGHT-OF-WAY.

BASIS OF BEARINGS

NORTH 89°41'18" EAST, BEING THE BEARING OF THE SOUTH LINE OF THE SOUTHWEST QUARTER (SW 1/4) OF SECTION 31, TOWNSHIP 20 SOUTH, RANGE 60 EAST, MOUNT DIABLO MERIDIAN, AS SHOWN ON A MAP ON FILE IN THE CLARK COUNTY, NEVADA, RECORDER'S OFFICE IN FILE 76, PAGE 85 OF PARCEL MAPS.

THE ABOVE REFERENCED LINE IS ALSO THE APPROXIMATE CENTERLINE OF CHARLESTON BOULEVARD, DIRECTLY EAST OF HUALAPAI WAY.

BENCHMARK

CITY OF LAS VEGAS BENCHMARK # 01V00 315SW6, BEING A RIVET AND PLATE IN TOP OF CURB ON CHARLESTON BLVD., 1690' WEST OF GRAND CANYON DRIVE, NORTH CURB LINE AT DROP INLET.

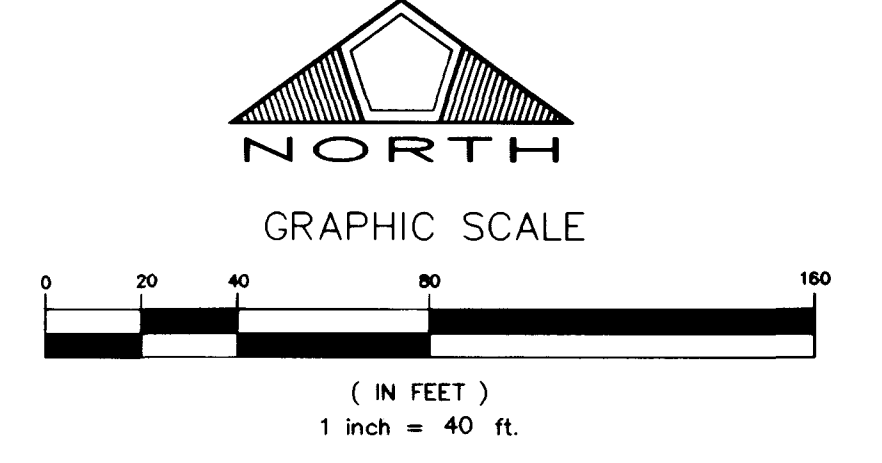
ELEVATION = 874.0618 METERS (NAVD 88)
ELEVATION = 2867.651 U.S. SURVEY FEET (COMPUTED NAVD 88)

INSTALLATION OF DOUBLE CHECK DETECTOR ASSEMBLY (1-8"X1-10") "N" SERIES- FEBCO 876 OR EQUAL

THE DOUBLE CHECK DETECTOR ASSEMBLIES SHALL BE INSTALLED IN ACCORDANCE WITH THE UDACS PLATE 20B.

ANY BLOCK WALL OR OTHER FENCE MATERIAL SHALL BE DESIGNED AND CONSTRUCTED AROUND THE OUTSIDE OF THE EASEMENT(S), SO AS TO ALLOW THE DISTRICT DIRECT ACCESS FROM THE ADJACENT RIGHT-OF-WAY.

- FITTING LEGEND:**
- 1 FIRE HYDRANT ASSEMBLY
 - 2 8" DCCA
 - 3 6" DCCA
 - 4 10" X 8" REDUCER
 - 5 8" X 6" REDUCER
 - 6 8" GATE VALVE
 - 7 8" TEE
 - 8 8" X 8" X 6" TEE
 - 9 8" - 90° BEND
 - 10 6" - 90° BEND
 - 11 8" - 45° BEND
 - 12 8" - 22 1/2° BEND
 - 13 8" - 11 1/4° BEND
 - 14 6" - 11 1/4° BEND
 - 15 6" GATE VALVE
 - 16 6" X 6" TEE
 - 17 10" DCCA
 - 18 12" X 8" TAP



NOTE:

INSTALLATION OF 5" DIA. WATER LINE TO PROVIDE SERVICE TO MAJOR 2 DEVELOPMENT. NO CONNECTION TO EXISTING WATER SERVICE TO BE MADE AT THIS TIME. LINE SHALL BE CONNECTED AT TIME REPAIR ARE INSTALLED.

DETAIL 'A'

SCALE: 1"=10'

NOTE: CONTRACTOR SHALL PROVIDE STEEL SLEEVES FOR WATER CROSSING. MINIMUM 3" CLEARANCE OF FOOTING EDGE.

DETAIL 'B'

SCALE: 1"=10'

PECCOLE NEVADA CORP.
851 SOUTH RAMPART, SUITE 100
LAS VEGAS, NEVADA, 89128
(702)935-1111

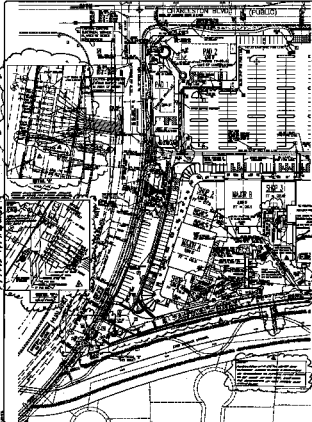
PENTACORE
CIVIL ENGINEERING, LAND SURVEYING, PLANNING
CONSULTING
1035 WEST CHARLESTON BOULEVARD
LAS VEGAS, NEVADA 89102
(702)258-0115

MASTER UTILITY PLAN I
PECCOLE RANCH, PHASE II
SMITH'S COMMERCIAL

DATE: 6/3/98
DRAWN BY: C. SPITZ
DESIGNED BY:
CHECKED BY:
ADA CHECKED:
JOB NO.: 0145-0033
SCALE: 1"=40'

SHEET 4 OF 12
C.L.V. DWG.# 107-V2960

CHARLESTON BLVD (70810)



SEE SHEET 50

NUMBER OF WATER MAINS

1/2" DIA	1
3/4" DIA	1
1" DIA	1
1 1/2" DIA	1
2" DIA	1
3" DIA	1
4" DIA	1
6" DIA	1
8" DIA	1
10" DIA	1
12" DIA	1
15" DIA	1
18" DIA	1
21" DIA	1
24" DIA	1
30" DIA	1
36" DIA	1
42" DIA	1
48" DIA	1
54" DIA	1
60" DIA	1
72" DIA	1
84" DIA	1
96" DIA	1
108" DIA	1
120" DIA	1
144" DIA	1
168" DIA	1
192" DIA	1
216" DIA	1
240" DIA	1
288" DIA	1
336" DIA	1
384" DIA	1
432" DIA	1
480" DIA	1
528" DIA	1
576" DIA	1
624" DIA	1
672" DIA	1
720" DIA	1
768" DIA	1
816" DIA	1
864" DIA	1
912" DIA	1
960" DIA	1
1008" DIA	1
1056" DIA	1
1104" DIA	1
1152" DIA	1
1200" DIA	1
1248" DIA	1
1296" DIA	1
1344" DIA	1
1392" DIA	1
1440" DIA	1
1488" DIA	1
1536" DIA	1
1584" DIA	1
1632" DIA	1
1680" DIA	1
1728" DIA	1
1776" DIA	1
1824" DIA	1
1872" DIA	1
1920" DIA	1
1968" DIA	1
2016" DIA	1
2064" DIA	1
2112" DIA	1
2160" DIA	1
2208" DIA	1
2256" DIA	1
2304" DIA	1
2352" DIA	1
2400" DIA	1
2448" DIA	1
2496" DIA	1
2544" DIA	1
2592" DIA	1
2640" DIA	1
2688" DIA	1
2736" DIA	1
2784" DIA	1
2832" DIA	1
2880" DIA	1
2928" DIA	1
2976" DIA	1
3024" DIA	1
3072" DIA	1
3120" DIA	1
3168" DIA	1
3216" DIA	1
3264" DIA	1
3312" DIA	1
3360" DIA	1
3408" DIA	1
3456" DIA	1
3504" DIA	1
3552" DIA	1
3600" DIA	1
3648" DIA	1
3696" DIA	1
3744" DIA	1
3792" DIA	1
3840" DIA	1
3888" DIA	1
3936" DIA	1
3984" DIA	1
4032" DIA	1
4080" DIA	1
4128" DIA	1
4176" DIA	1
4224" DIA	1
4272" DIA	1
4320" DIA	1
4368" DIA	1
4416" DIA	1
4464" DIA	1
4512" DIA	1
4560" DIA	1
4608" DIA	1
4656" DIA	1
4704" DIA	1
4752" DIA	1
4800" DIA	1
4848" DIA	1
4896" DIA	1
4944" DIA	1
4992" DIA	1
5040" DIA	1
5088" DIA	1
5136" DIA	1
5184" DIA	1
5232" DIA	1
5280" DIA	1
5328" DIA	1
5376" DIA	1
5424" DIA	1
5472" DIA	1
5520" DIA	1
5568" DIA	1
5616" DIA	1
5664" DIA	1
5712" DIA	1
5760" DIA	1
5808" DIA	1
5856" DIA	1
5904" DIA	1
5952" DIA	1
6000" DIA	1
6048" DIA	1
6096" DIA	1
6144" DIA	1
6192" DIA	1
6240" DIA	1
6288" DIA	1
6336" DIA	1
6384" DIA	1
6432" DIA	1
6480" DIA	1
6528" DIA	1
6576" DIA	1
6624" DIA	1
6672" DIA	1
6720" DIA	1
6768" DIA	1
6816" DIA	1
6864" DIA	1
6912" DIA	1
6960" DIA	1
7008" DIA	1
7056" DIA	1
7104" DIA	1
7152" DIA	1
7200" DIA	1
7248" DIA	1
7296" DIA	1
7344" DIA	1
7392" DIA	1
7440" DIA	1
7488" DIA	1
7536" DIA	1
7584" DIA	1
7632" DIA	1
7680" DIA	1
7728" DIA	1
7776" DIA	1
7824" DIA	1
7872" DIA	1
7920" DIA	1
7968" DIA	1
8016" DIA	1
8064" DIA	1
8112" DIA	1
8160" DIA	1
8208" DIA	1
8256" DIA	1
8304" DIA	1
8352" DIA	1
8400" DIA	1
8448" DIA	1
8496" DIA	1
8544" DIA	1
8592" DIA	1
8640" DIA	1
8688" DIA	1
8736" DIA	1
8784" DIA	1
8832" DIA	1
8880" DIA	1
8928" DIA	1
8976" DIA	1
9024" DIA	1
9072" DIA	1
9120" DIA	1
9168" DIA	1
9216" DIA	1
9264" DIA	1
9312" DIA	1
9360" DIA	1
9408" DIA	1
9456" DIA	1
9504" DIA	1
9552" DIA	1
9600" DIA	1
9648" DIA	1
9696" DIA	1
9744" DIA	1
9792" DIA	1
9840" DIA	1
9888" DIA	1
9936" DIA	1
9984" DIA	1
10032" DIA	1
10080" DIA	1
10128" DIA	1
10176" DIA	1
10224" DIA	1
10272" DIA	1
10320" DIA	1
10368" DIA	1
10416" DIA	1
10464" DIA	1
10512" DIA	1
10560" DIA	1
10608" DIA	1
10656" DIA	1
10704" DIA	1
10752" DIA	1
10800" DIA	1
10848" DIA	1
10896" DIA	1
10944" DIA	1
10992" DIA	1
11040" DIA	1
11088" DIA	1
11136" DIA	1
11184" DIA	1
11232" DIA	1
11280" DIA	1
11328" DIA	1
11376" DIA	1
11424" DIA	1
11472" DIA	1
11520" DIA	1
11568" DIA	1
11616" DIA	1
11664" DIA	1
11712" DIA	1
11760" DIA	1
11808" DIA	1
11856" DIA	1
11904" DIA	1
11952" DIA	1
12000" DIA	1
12048" DIA	1
12096" DIA	1
12144" DIA	1
12192" DIA	1
12240" DIA	1
12288" DIA	1
12336" DIA	1
12384" DIA	1
12432" DIA	1
12480" DIA	1
12528" DIA	1
12576" DIA	1
12624" DIA	1
12672" DIA	1
12720" DIA	1
12768" DIA	1
12816" DIA	1
12864" DIA	1
12912" DIA	1
12960" DIA	1
13008" DIA	1
13056" DIA	1
13104" DIA	1
13152" DIA	1
13200" DIA	1
13248" DIA	1
13296" DIA	1
13344" DIA	1
13392" DIA	1
13440" DIA	1
13488" DIA	1
13536" DIA	1
13584" DIA	1
13632" DIA	1
13680" DIA	1
13728" DIA	1
13776" DIA	1
13824" DIA	1
13872" DIA	1
13920" DIA	1
13968" DIA	1
14016" DIA	1
14064" DIA	1
14112" DIA	1
14160" DIA	1
14208" DIA	1
14256" DIA	1
14304" DIA	1
14352" DIA	1
14400" DIA	1
14448" DIA	1
14496" DIA	1
14544" DIA	1
14592" DIA	1
14640" DIA	1
14688" DIA	1
14736" DIA	1
14784" DIA	1
14832" DIA	1
14880" DIA	1
14928" DIA	1
14976" DIA	1
15024" DIA	1
15072" DIA	1
15120" DIA	1
15168" DIA	1
15216" DIA	1
15264" DIA	1
15312" DIA	1
15360" DIA	1
15408" DIA	1
15456" DIA	1
15504" DIA	1
15552" DIA	1
15600" DIA	1
15648" DIA	1
15696" DIA	1
15744" DIA	1
15792" DIA	1
15840" DIA	1
15888" DIA	1
15936" DIA	1
15984" DIA	1
16032" DIA	1
16080" DIA	1
16128" DIA	1
16176" DIA	1
16224" DIA	1
16272" DIA	1
16320" DIA	1
16368" DIA	1
16416" DIA	1
16464" DIA	1
16512" DIA	1
16560" DIA	1
16608" DIA	1
16656" DIA	1
16704" DIA	1
16752" DIA	1
16800" DIA	1
16848" DIA	1
16896" DIA	1
16944" DIA	1
16992" DIA	1
17040" DIA	1
17088" DIA	1
17136" DIA	1
17184" DIA	1
17232" DIA	1
17280" DIA	1
17328" DIA	1
17376" DIA	1
17424" DIA	1
17472" DIA	1
17520" DIA	1
17568" DIA	1
17616" DIA	1
17664" DIA	1
17712" DIA	1
17760" DIA	1
17808" DIA	1
17856" DIA	1
17904" DIA	1
17952" DIA	1
18000" DIA	1
18048" DIA	1
18096" DIA	1
18144" DIA	1
18192" DIA	1
18240" DIA	1
18288" DIA	1
18336" DIA	1
18384" DIA	1
18432" DIA	1
18480" DIA	1
18528" DIA	1
18576" DIA	1
18624" DIA	1
18672" DIA	1
18720" DIA	1
18768" DIA	1
18816" DIA	1
18864" DIA	1
18912" DIA	1
18960" DIA	1
19008" DIA	1
19056" DIA	1
19104" DIA	1
19152" DIA	1
19200" DIA	1
19248" DIA	1
19296" DIA	1
19344" DIA	1
19392" DIA	1
19440" DIA	1
19488" DIA	1
19536" DIA	1
19584" DIA	1
19632" DIA	1
19680" DIA	1
19728" DIA	1
19776" DIA	1
19824" DIA	1
19872" DIA	1
19920" DIA	1
19968" DIA	1
20016" DIA	1
20064" DIA	1
20112" DIA	1
20160" DIA	1
20208" DIA	1
20256" DIA	1
20304" DIA	1
20352" DIA	1
20400" DIA	1
20448" DIA	1
20496" DIA	1
20544" DIA	1
20592" DIA	1
20640" DIA	1
20688" DIA	1
20736" DIA	1
20784" DIA	1
20832" DIA	1
20880" DIA	1
20928" DIA	1
20976" DIA	1
21024" DIA	1
21072" DIA	1
21120" DIA	1
21168" DIA	1
21216" DIA	1
21264" DIA	1
21312" DIA	1
21360" DIA	1
21408" DIA	1
21456" DIA	1
21504" DIA	1
21552" DIA	1
21600" DIA	1
21648" DIA	1
21696" DIA	1
21744" DIA	1
21792" DIA	1
21840" DIA	1
21888" DIA	1
21936" DIA	1
21984" DIA	1
22032" DIA	1
22080" DIA	1
22128" DIA	1
22176" DIA	1
22224" DIA	1
22272" DIA	1
22320" DIA	1
22368" DIA	1
22416" DIA	1
22464" DIA	1
22512" DIA	1
22560" DIA	1
22608" DIA	1
22656" DIA	1
22704" DIA	1
22752" DIA	1
22800" DIA	1
22848" DIA	1
22896" DIA	1
22944" DIA	1
22992" DIA	1
23040" DIA	1
23088" DIA	1
23136" DIA	1
23184" DIA	1
23232" DIA	1
23280" DIA	1
23328" DIA	1
23376" DIA	1
23424" DIA	1
23472" DIA	1
23520" DIA	1
23568" DIA	1
23616" DIA	1
23664" DIA	1
23712" DIA	1
23760" DIA	1
23808" DIA	1
23856" DIA	1
23904" DIA	1
23952" DIA	1
24000" DIA	1
24048" DIA	1
24096" DIA	1
24144" DIA	1
24192" DIA	1
24240" DIA	1
24288" DIA	1
24336" DIA	1
24384" DIA	1
24432" DIA	1
24480" DIA	1
24528" DIA	1
24576" DIA	