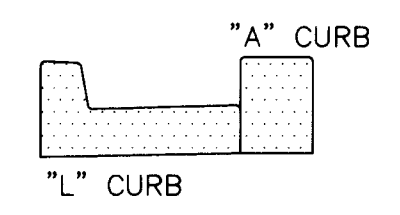


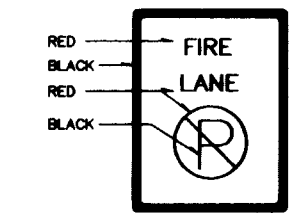
1) SEE SHEET #11 FOR AC ELEVATIONS, TOP OF FOOTING, AND TOP OF WALL ELEVATIONS.
 2) THIS RETAINING WALL REQUIRES A SPECIAL DESIGN, SEE STRUCTURAL DETAILS FOR WALL AND FOOTING DESIGN.

5
6

SECTION

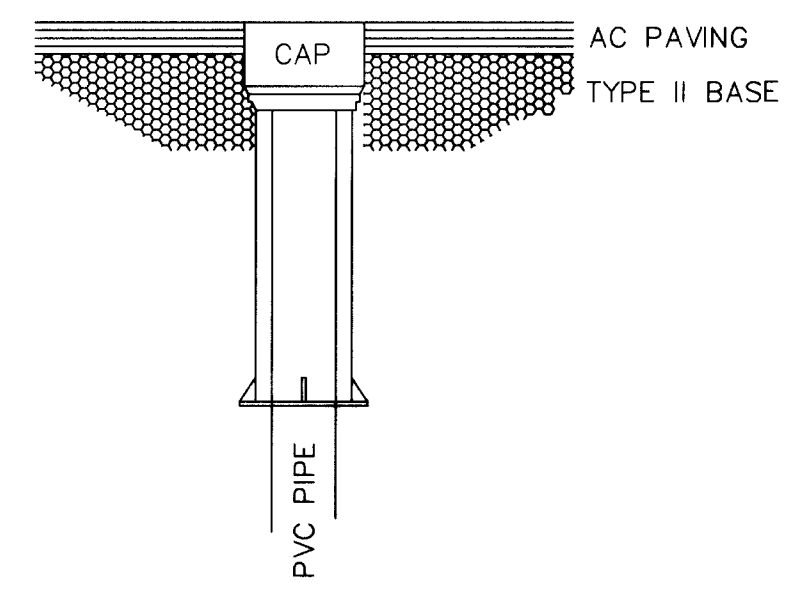


5
6 DRAIN THRU

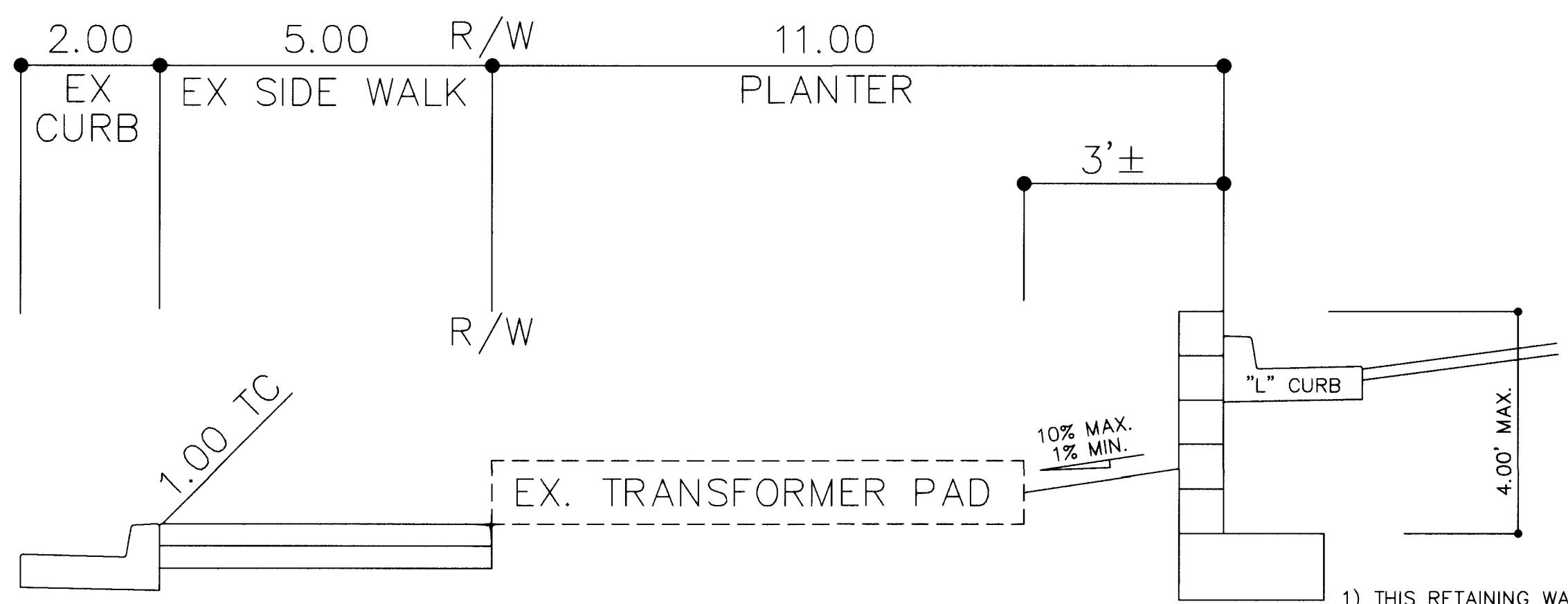


MINIMUM SPECIFICATIONS OF "NO PARKING FIRE LANE SIGNS"
 SIZE: 1' WIDE x 1 1/2' LONG OR 2' WIDE x 2 1/2' LONG AS REQUIRED
 COLOR: RED AND BLACK ON WHITE LUMINOUS BACKGROUND (SEE ABOVE EXAMPLE)
 SYMBOL: INTERNATIONAL NO PARKING SYMBOL
 HEIGHT: TO BE INSTALLED NOT LESS THAN SEVEN (7) FEET NOR MORE THAN TEN (10) FEET FROM GROUND LEVEL.

10
7 FIRE LANE SIGNAGE



15
5 CAST IRON CLEAN OUT BOX & COVER



1) THIS RETAINING WALL REQUIRES A SPECIAL DESIGN, SEE STRUCTURAL DETAILS FOR WALL AND FOOTING DESIGN.

6
6

SECTION

REVISION	DATE	BY	SCD	REV
1	2/4/99			
REVISE DETAIL 5/6				

GALLAHER CONSTRUCTION, INC.
 9066 BROOKS ROAD SOUTH
 WINDSOR, CA, 95492
 (707) 836-0473

DUNNAM CIVIL ENGINEERS
 3305 SPRING MOUNTAIN ROAD SUITE B2
 LAS VEGAS, NV 89102
 (702) 367-0588
 (702) 367-8145 FAX

SHEET: DETAIL SHEET

TITLE: OAKMONT RETIREMENT COMMUNITY #4

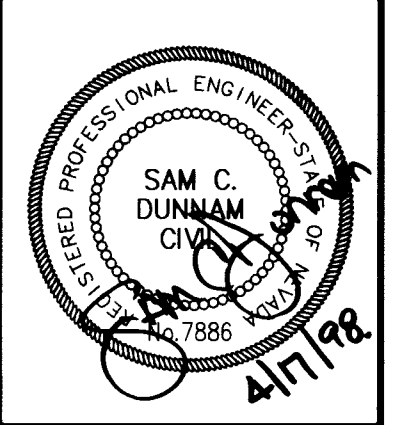
DRAWN BY: _____

DESIGNED BY: _____

CHECKED BY: _____

PROJECT NO: GALL 03D

SCALE: 1" = 2'



SHEET D2
 13 OF 13 SHEETS

DRAWING NO. 107-V2093

