

950110

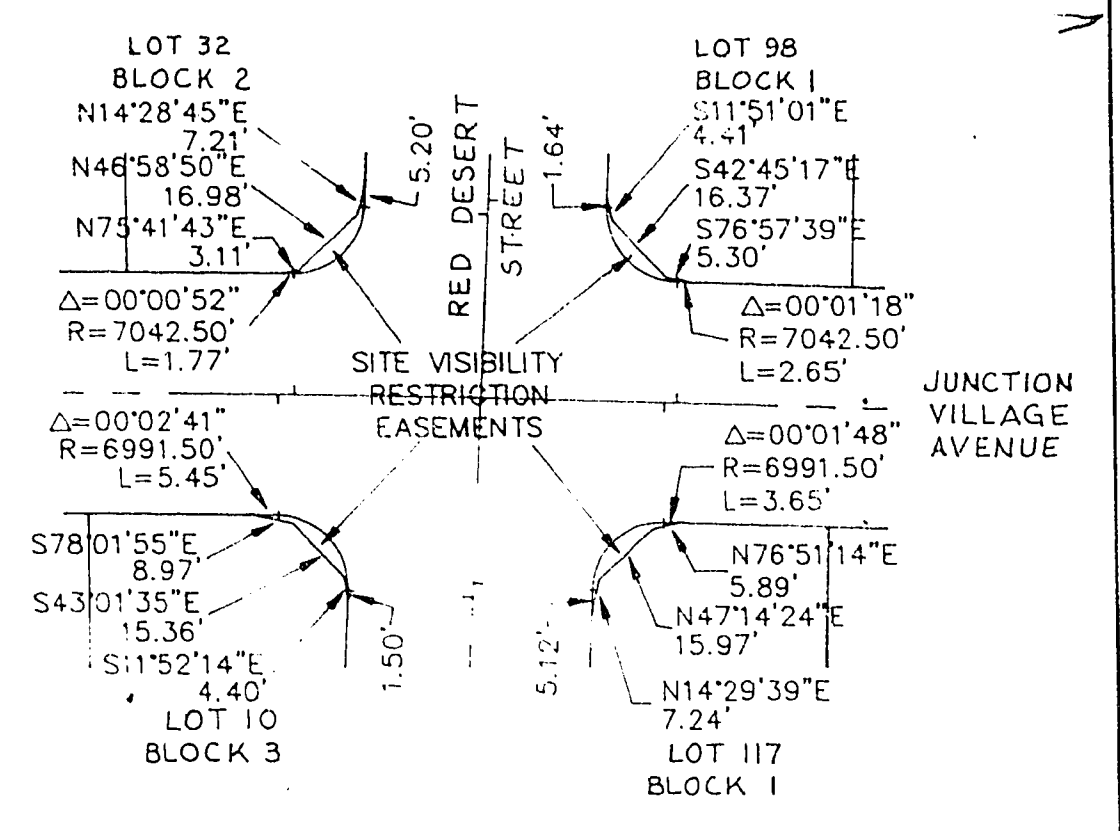
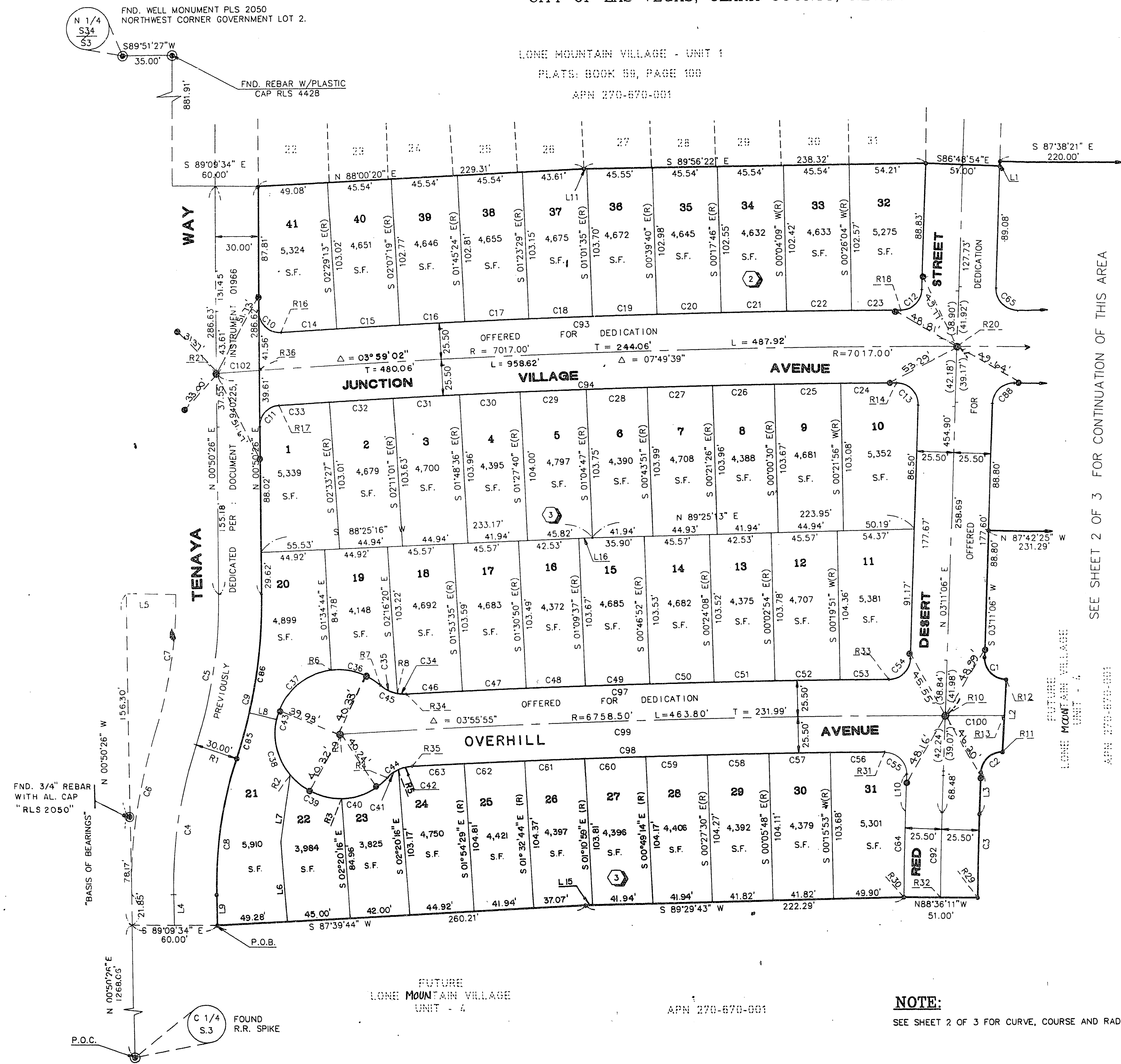
00188

LONE MOUNTAIN VILLAGE - UNIT 3

A PORTION OF GOVERNMENT LOT 2 AND A PORTION OF THE NORTH HALF (N 1/2) OF THE NORTH HALF (N 1/2) OF THE SOUTHWEST QUARTER (SW 1/4) OF THE NORTHEAST QUARTER (NE 1/4) OF SECTION 3, TOWNSHIP 20 SOUTH, RANGE 60 EAST, M.D.M., CITY OF LAS VEGAS, CLARK COUNTY, NEVADA.

FND. WELL MONUMENT PLS 2050 NORTHWEST CORNER GOVERNMENT LOT 2.

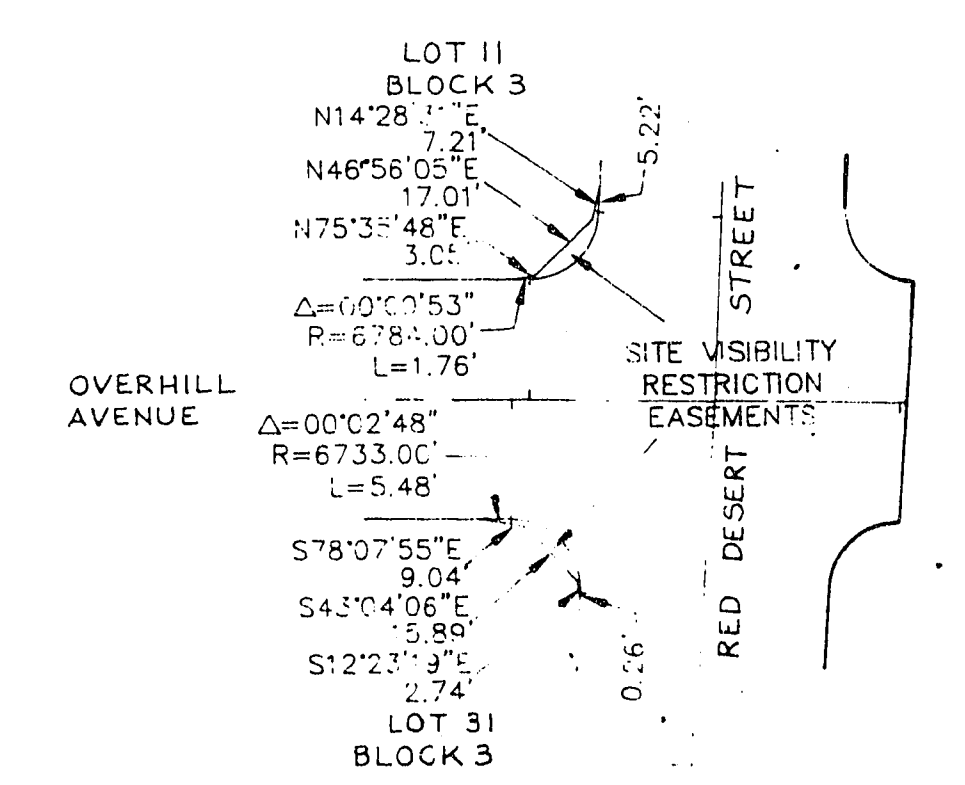
LONE MOUNTAIN VILLAGE - UNIT 3
PLATS: BOOK 59, PAGE 100
APN 270-670-001



SCALE: 1"=40'

LEGEND

- P.O.C. POINT OF COMMENCEMENT
- P.O.B. POINT OF BEGINNING
- 15 LOT NUMBER / RESIDENTIAL = 61
COMMON ELEMENT LOT = 1
TOTAL = 62
- 2 BLOCK NUMBER
- R1 RADIAL LINE NUMBER
- L3 COURSE NUMBER
- C2 CURVE NUMBER
- FOUND MONUMENT AS DESCRIBED
- SET REBAR WITH AL. CAP - "VTN PLS 8421"
- SET TYPE III MONUMENT - AL. CAP "VTN PLS 8421"
- SET NAIL & BRASS TAG "PLS 8421" OR SAWCUT TOP OF CURB ON PROLONGATION OF PROPERTY LINES, PER NOTE 1
- S.F. SQUARE FEET



SEE SHEET 2 OF 3 FOR CONTINUATION OF THIS AREA

NOTE:
SEE SHEET 2 OF 3 FOR CURVE, COURSE AND RADIAL LINE TABLE.

MONUMENTATION NOTE:

1) PURSUANT TO NRS 278.371, ALL REAR LOT CORNERS SHALL BE SET WITH A NAIL AND BRASS TAG PLS. 8421 ON BLOCK WALL AND ALL FRONT OR SIDE CORNERS ADJOINING RIGHT-OF-WAY SHALL BE MARKED BY THE SAWCUTTING OF THE BACK OF CURBS ON THE PROLONGATION OF THE PROPERTY LINES.

ACT	DATE	BY	REVISION

W.O. 3814-3
SHEET 3 OF 3

058-4200-3
12-6-107 Book 65 Page 75