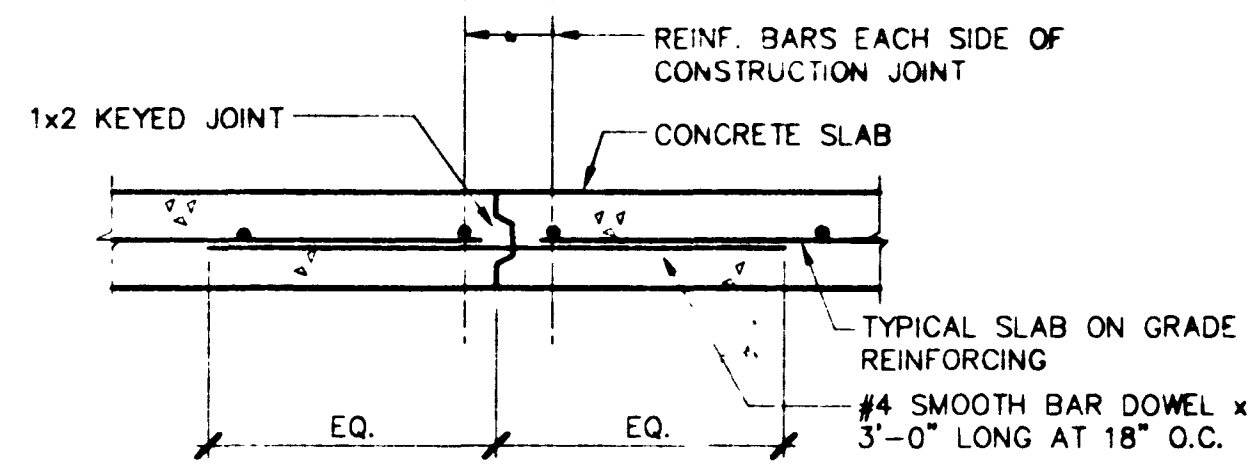


TYPICAL CONTROL JOINT

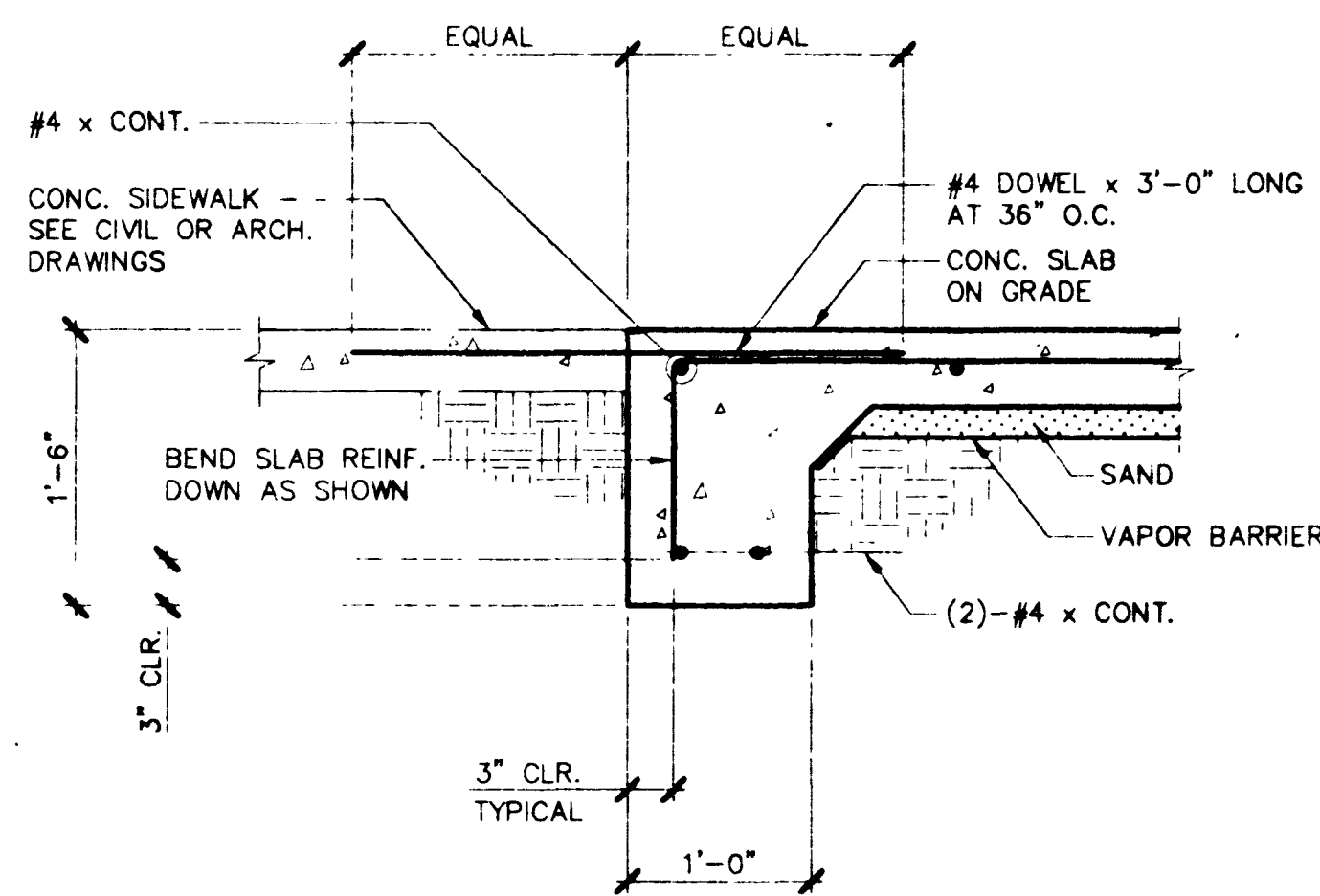


TYPICAL CONST. JOINT

NOTE: CONTRACTOR MAY USE CONST. JOINT OR CONTROL JOINT AT HIS OPTION

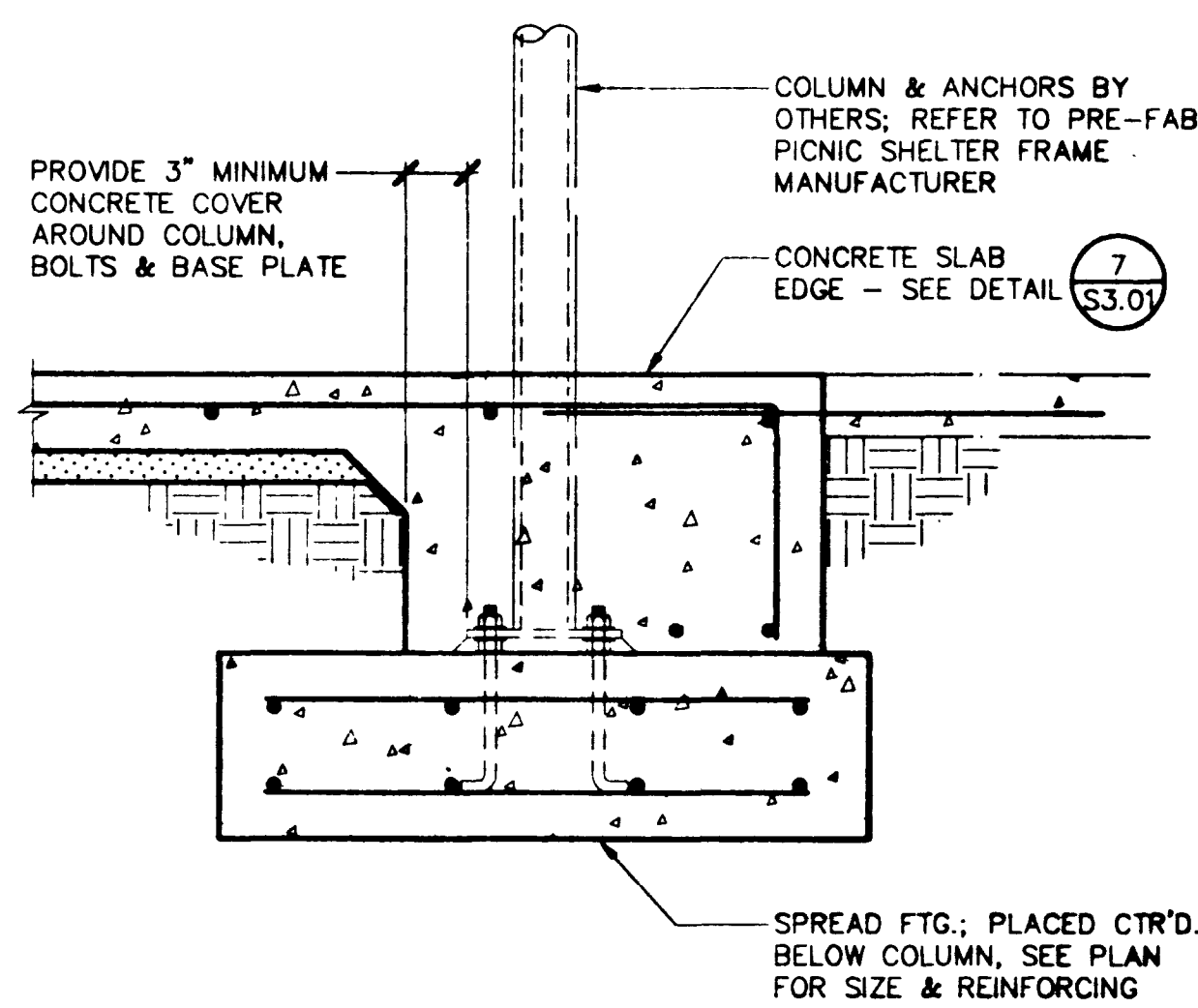
6 TYPICAL SLAB JOINTS

NO SCALE



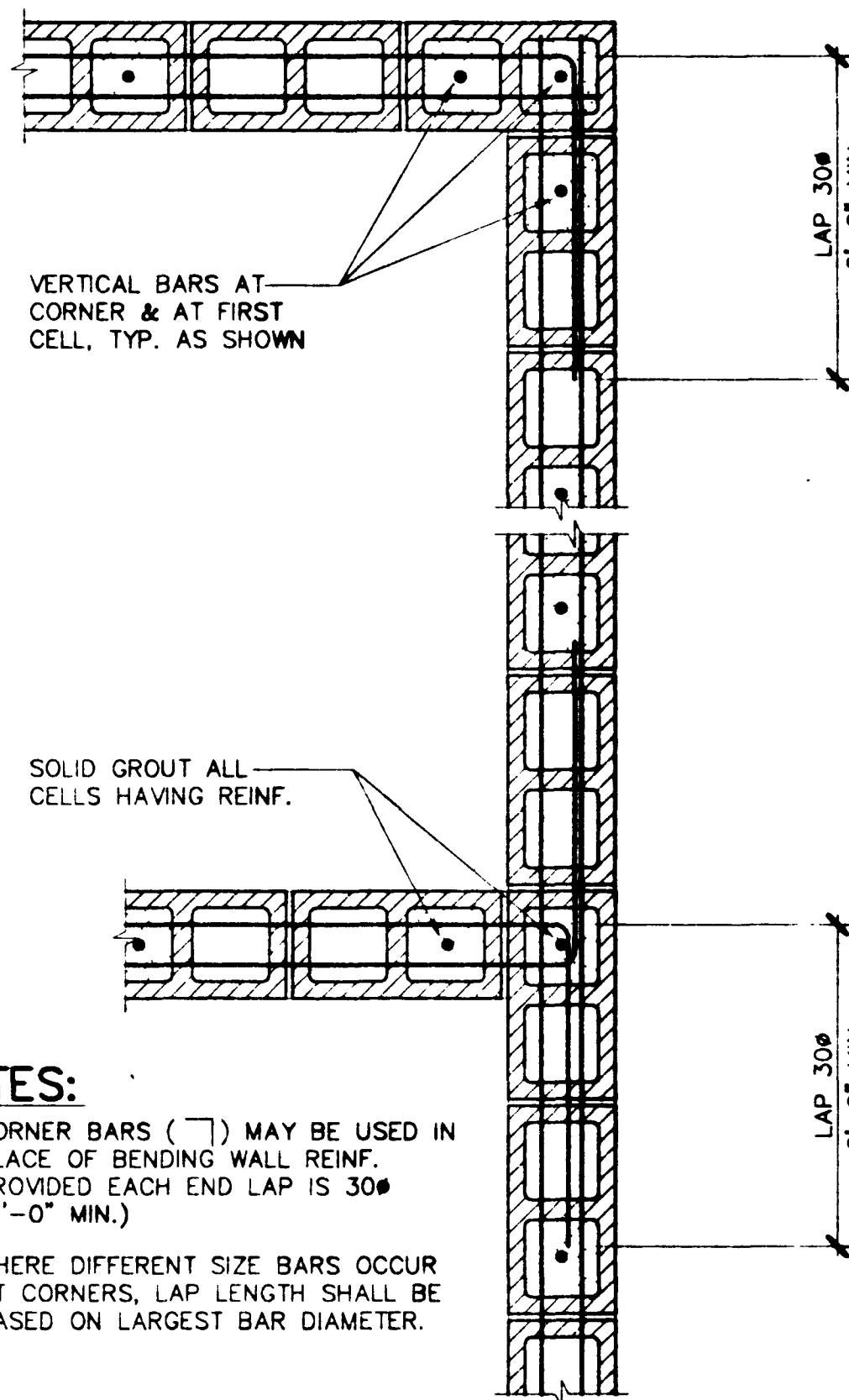
7 DETAIL

1" = 1'-0"



8 DETAIL

1" = 1'-0"



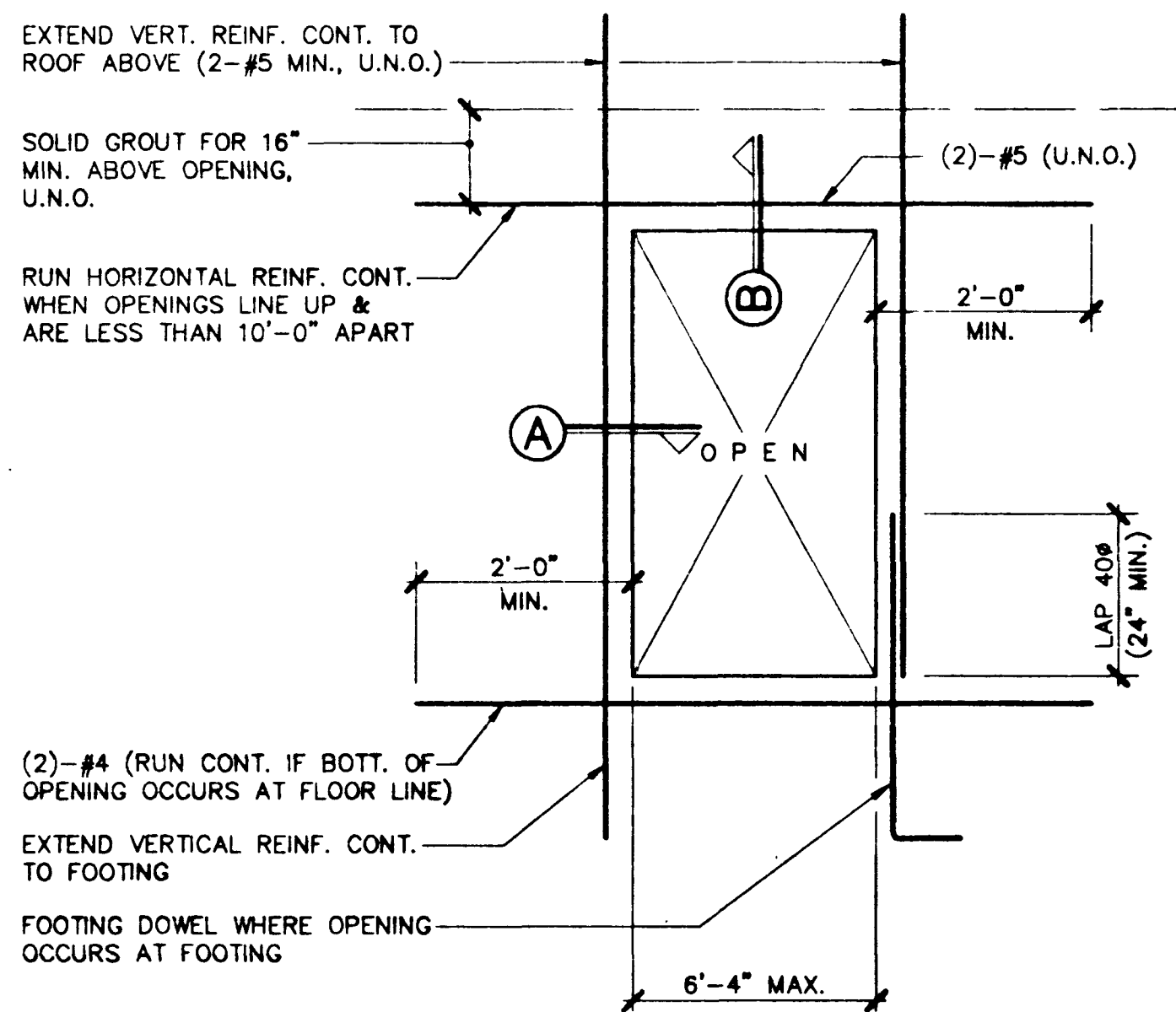
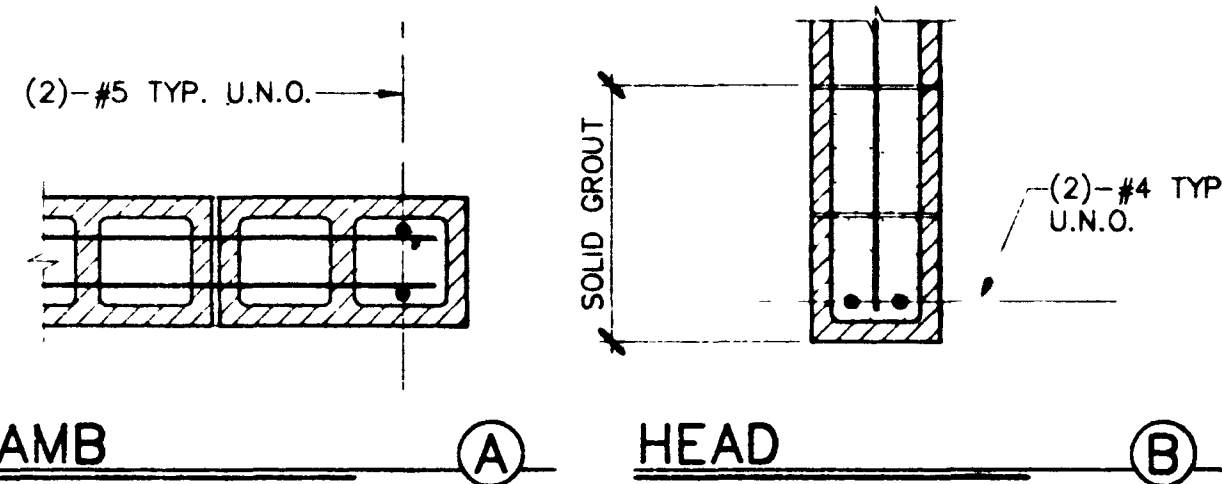
NOTES:

- CORNER BARS ( ) MAY BE USED IN PLACE OF BENDING WALL REINF. PROVIDED EACH END LAP IS 30° (2'-0" MIN.)
- WHERE DIFFERENT SIZE BARS OCCUR AT CORNERS, LAP LENGTH SHALL BE BASED ON LARGEST BAR DIAMETER.

TYPICAL C.M.U. WALL CORNERS & INTERSECTIONS (DOUBLE CURTAIN REINFORCING)

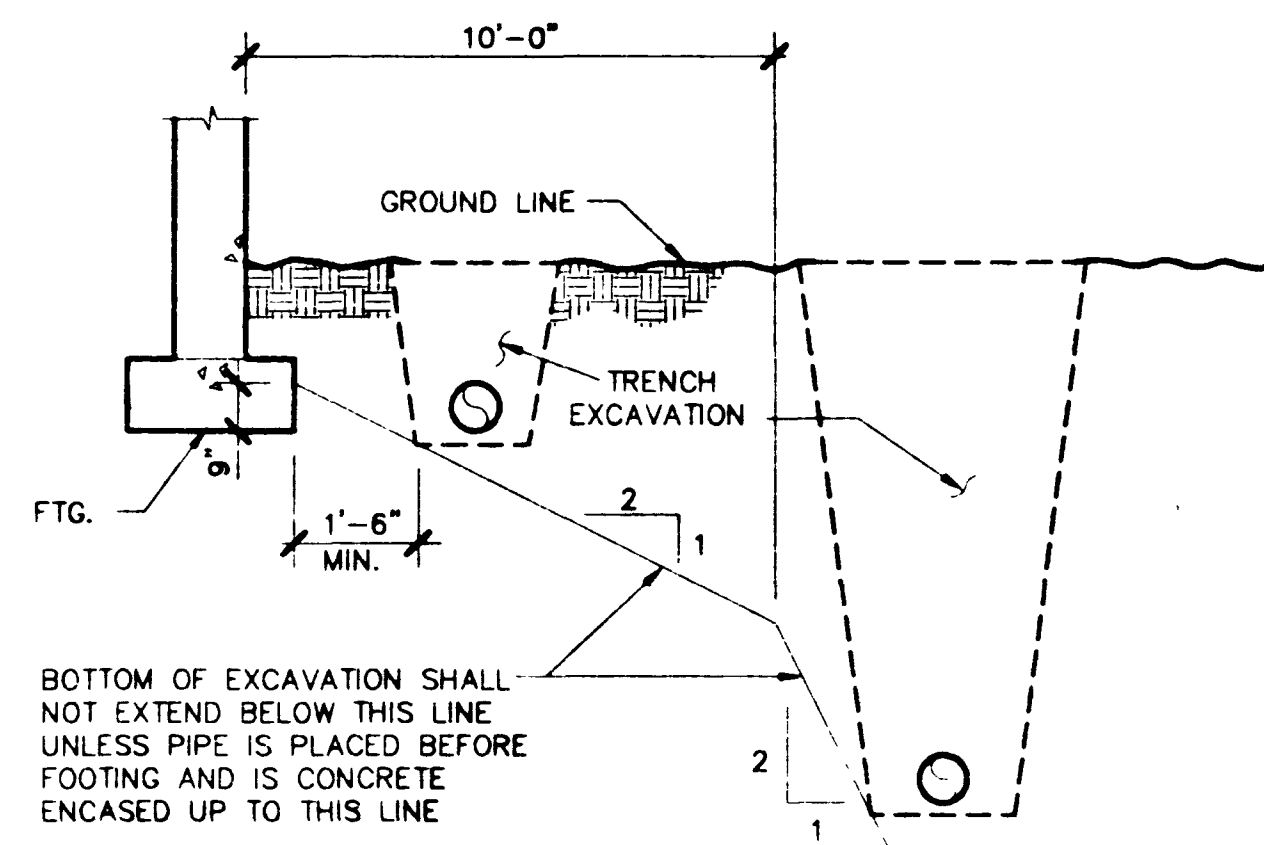
4 DETAIL

NO SCALE



5 DETAIL - TYP. C.M.U. OP'G.

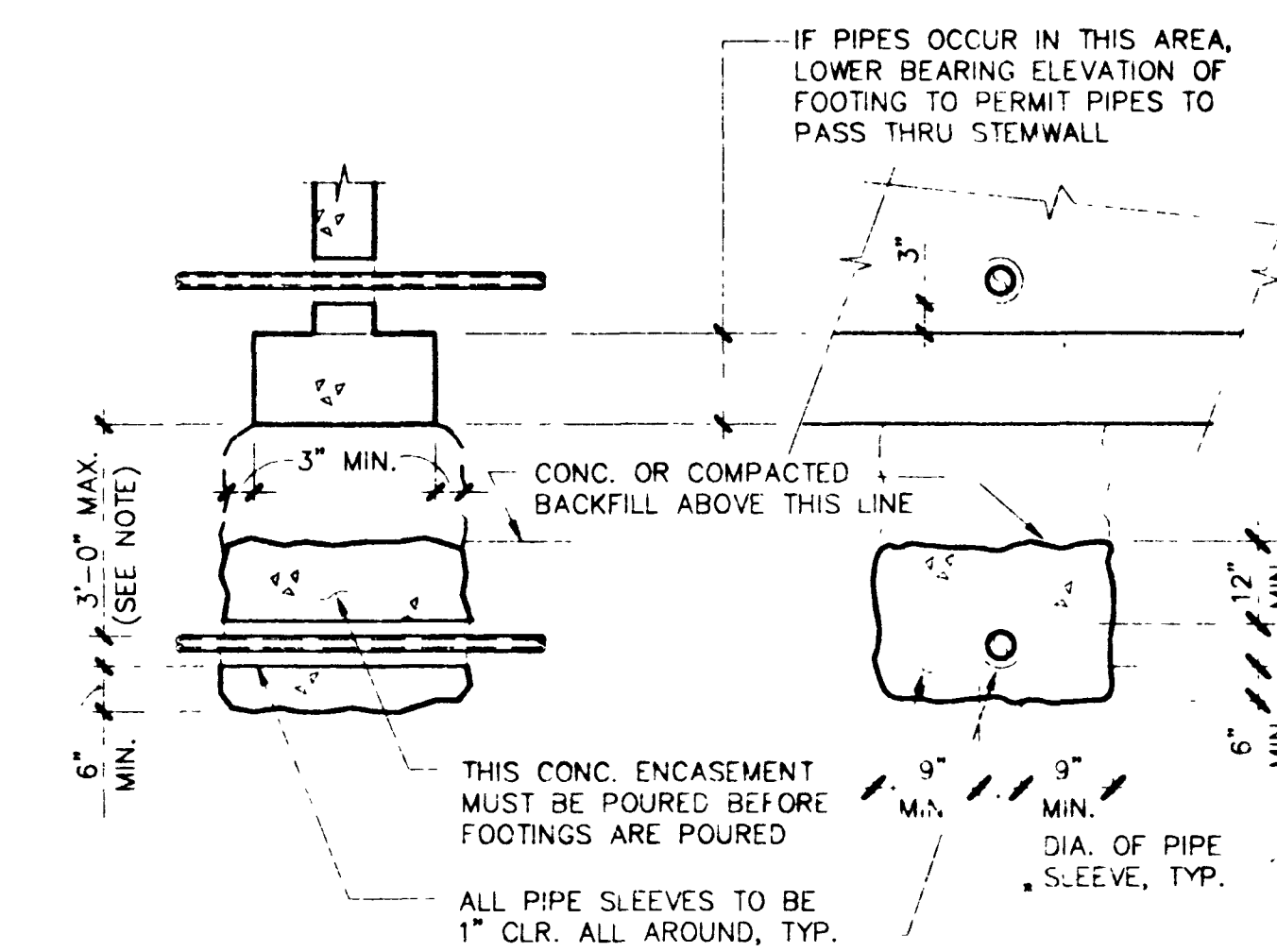
NO SCALE



NOTE: CONTRACTOR SHALL BE RESPONSIBLE FOR SHORING OR OTHERWISE MAINTAINING THE SIDES OF THE EXCAVATION FROM CAVE-IN UNTIL ALL BACKFILL IS COMPLETED. BACKFILL SHALL BE IN ACCORDANCE WITH GENERAL NOTES AND SPECIFICATIONS.

1 TYPICAL TRENCH NEAR FTG.

NO SCALE

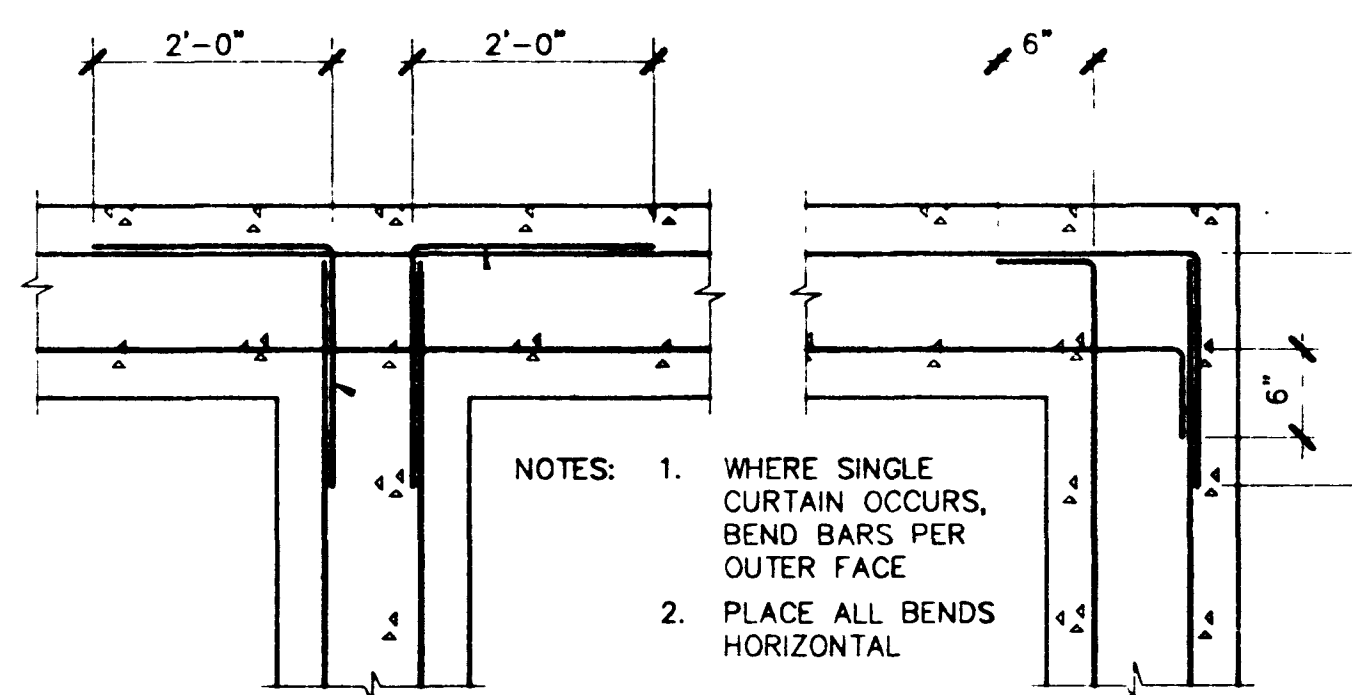


NOTES:

- FOR PIPES MORE THAN 3'-0" BELOW BOT. OF FTG., CONC. ENCASUREMENT IS NOT REQUIRED, COMPACT SOIL TO 95%
- SEE MECH. SPECS FOR CAULKING.
- BUILDING FOOTING CONTRACTOR MAY FORM ENDS OF CONCRETE ENCASUREMENT OR AT HIS OPTION LET CONCRETE SLOUGH TO NATURAL SLOPE.

2 TYPICAL PIPE THRU FTG.

NO SCALE



CONCRETE WALL & FOUNDATION CORNERS & INTERSECTIONS

3 DETAIL

NO SCALE

| REVISIONS |             |      |    |
|-----------|-------------|------|----|
| REV       | DESCRIPTION | DATE | BY |
|           |             |      |    |
|           |             |      |    |

DOMINGO CAMBEIRO CORPORATION 1994

**R. L. BALOGH**  
CONSULTING ENGINEERS, INC.  
8080 West Sahara Avenue, Suite B  
Las Vegas, Nevada 89117  
(702) 363-8104 FAX (702) 363-8905

DO NOT SCALE DRAWINGS

All designs, arrangements and plans indicated or presented by this drawing or instruments of service, are owned by and the property of DOMINGO CAMBEIRO CORPORATION. The design and specifications shall be restricted to the project and site for which they were prepared and publication hereof is expressly limited to such use. Reproduction, publication or use by any method in whole or in part, is prohibited, except by written permission of DOMINGO CAMBEIRO CORPORATION. Any contact with these plans and specifications shall constitute prima facie evidence of notice of these restrictions.

|             |               |
|-------------|---------------|
| DRAWN BY    | CPD           |
| CHECKED BY  | RLB           |
| ISSUED DATE | FEBRUARY 1994 |

DETAILS

LAS VEGAS TECHNOLOGY CENTER  
OPEN SPACES AND ENTRY FEATURES, PHASE II AND III

SHEET NO.

S3.01

JOB NO. 93017  
FILE NO. 93017-31

530-VU

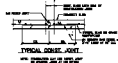
*Domingo Cambeiro Corporation*  
ARCHITECTURE • ENGINEERING • PLANNING • INTERIORS  
3555 PECOS-MELED IC. LAS VEGAS, NEVADA 89121-3805 (702) 732-0084

"AS-BUILT"

4490

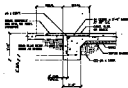


TYPICAL CONTROL JOINT

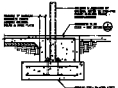


TYPICAL CORNER JOINT

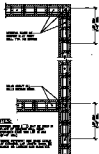
6 TYPICAL SLAB JOINTS



7 DETAIL



8 DETAIL



NOTES:

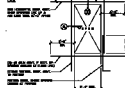
- 1. REINFORCEMENT SHALL BE AS SHOWN.
- 2. REINFORCEMENT SHALL BE AS SHOWN.

TYPICAL WALL CORNER & INTERSECTIONS

4 DETAIL



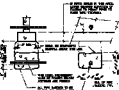
5 DETAIL - TYP. C.M.U. O.P.G.



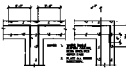
6 DETAIL



1 TYPICAL TRENCH NEAR FTG.



2 TYPICAL PIPE THRU FTG.



3 DETAIL

|  |                |
|--|----------------|
|  |                |
| <p>DO NOT SCALE DRAWING</p>  |                |
| <p>THIS DRAWING IS THE PROPERTY OF LAS VEGAS TECHNOLOGY CENTER FOR CONSTRUCTION INNOVATION AND RESEARCH. IT IS TO BE USED ONLY FOR THE PROJECT AND SITE SPECIFICALLY IDENTIFIED HEREON. IT IS NOT TO BE REPRODUCED, COPIED, OR TRANSMITTED IN ANY FORM OR BY ANY MEANS, ELECTRONIC OR MECHANICAL, INCLUDING PHOTOCOPYING, RECORDING, OR BY ANY INFORMATION STORAGE AND RETRIEVAL SYSTEM, WITHOUT THE WRITTEN PERMISSION OF LAS VEGAS TECHNOLOGY CENTER FOR CONSTRUCTION INNOVATION AND RESEARCH.</p> |                |
| <p>DATE: 01/11/18</p> <p>BY: [Signature]</p> <p>CHECKED: [Signature]</p> <p>SCALE: AS SHOWN</p>  | <p>DETAILS</p> |
| <p>LAS VEGAS TECHNOLOGY CENTER FOR CONSTRUCTION INNOVATION AND RESEARCH</p>  |                |
| <p><b>Dominio Cambiore Corporation</b></p> <p>ARCHITECTURE • ENGINEERING • PLANNING • INTERIORS</p> <p>1000 WEST HARRIS BL. LAS VEGAS, NEVADA 89101-3888 (702) 798-7888</p>  |                |
| <p>REV: 01</p> <p>DATE: 01/11/18</p> <p>BY: [Signature]</p> <p>CHECKED: [Signature]</p>  | <p>BSJ:01</p>  |