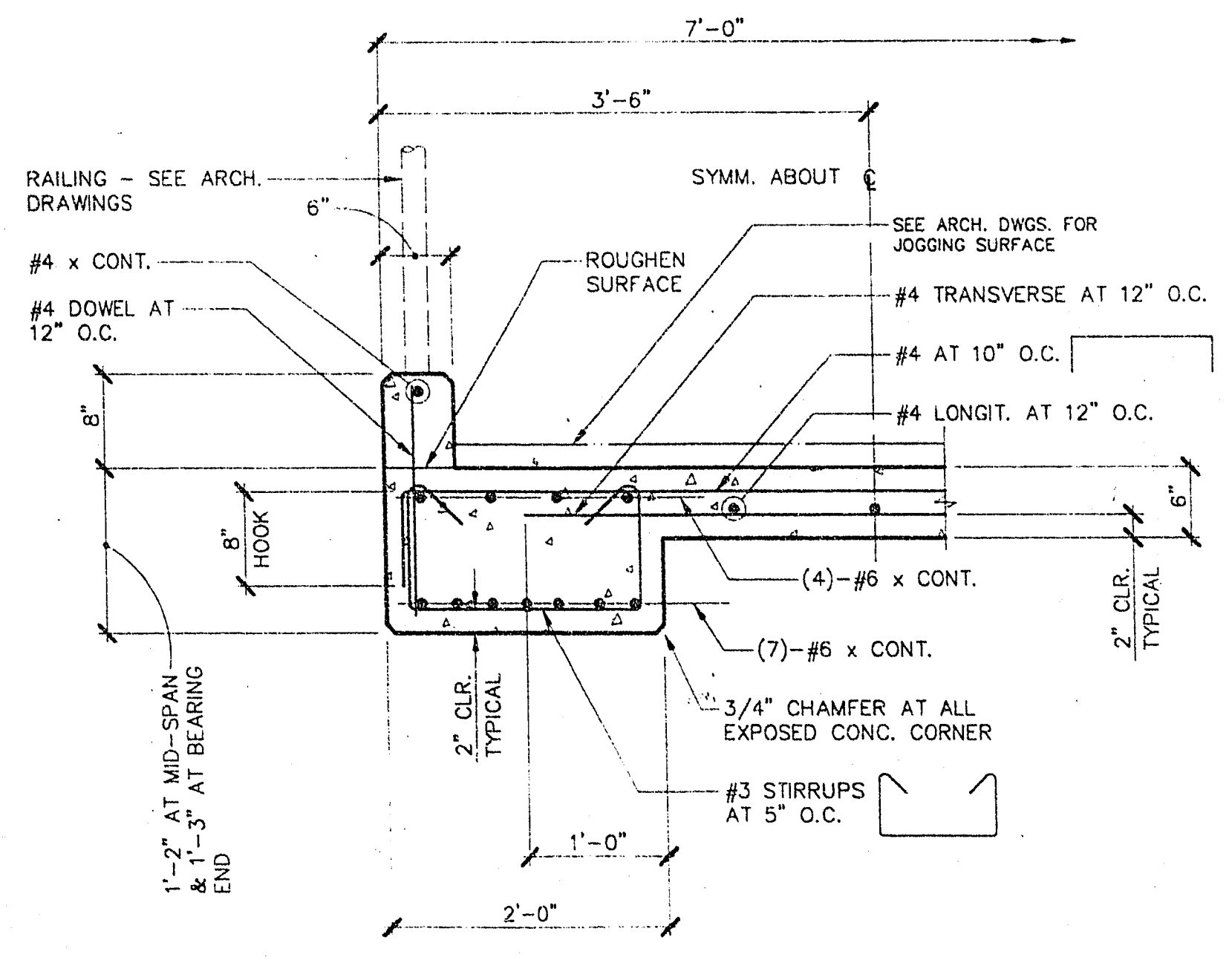


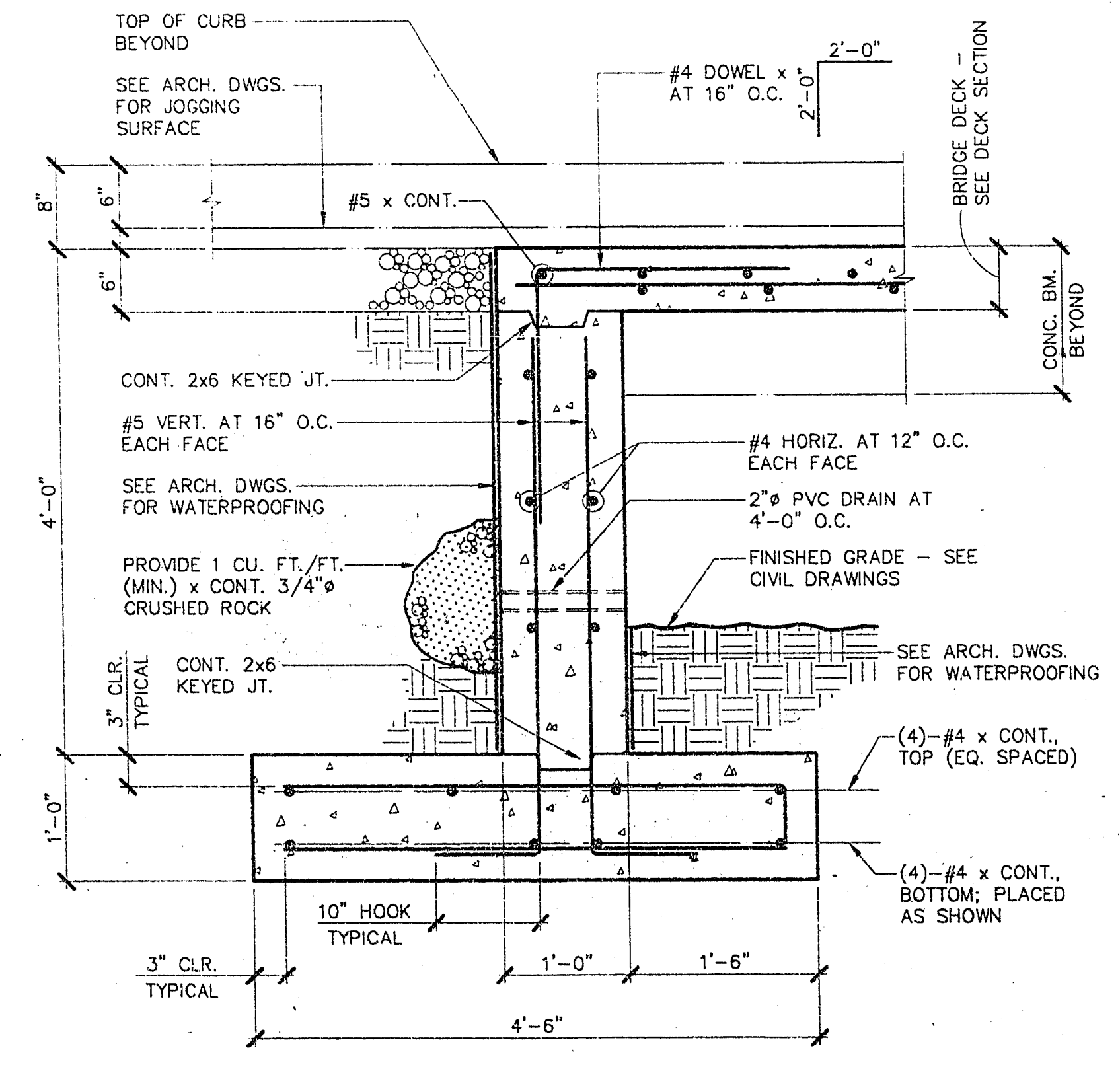
BRIDGE PLAN

1/2" = 1'-0"



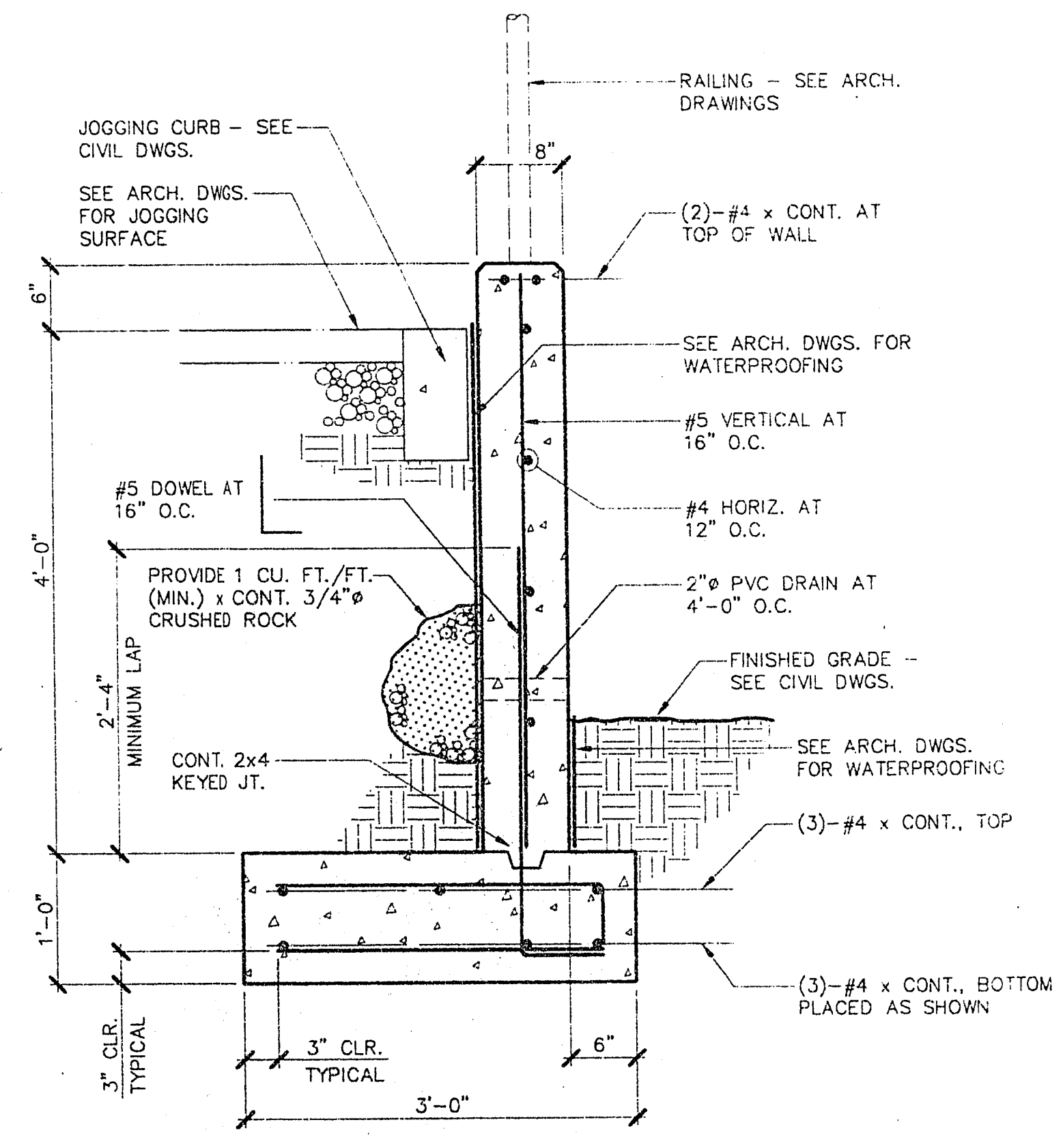
C SECTION

1" = 1'-0"



B SECTION

1" = 1'-0"



A SECTION

1" = 1'-0"

REVISIONS			
REV	DESCRIPTION	DATE	BY

© DOMINGO CAMBEIRO CORPORATION 1994

R. L. BALOGH
CONSULTING ENGINEERS, INC.
8080 West Sahara Avenue, Suite B
Las Vegas, Nevada 89117
(702) 363-8104 FAX (702) 363-8905

DO NOT SCALE DRAWINGS

All designs, arrangements and plans indicated or presented by this drawing, as instruments of service, are owned by and the property of DOMINGO CAMBEIRO CORPORATION. The plans and specifications shall be restricted to the original site for which they were prepared and publication therefore is expressly limited to such use. Reproduction, publication or release by any method in whole or in part, is prohibited. Use of such designs, arrangements or plans shall be limited to the application to any project, firm, agency or contractor without the written permission of DOMINGO CAMBEIRO CORPORATION. Users shall indemnify and hold harmless the firm of the author of these restrictions.

DRAWN BY	CPD
CHECKED BY	RLB
ISSUED DATE	FEBRUARY 1994

BRIDGE PLAN AND SECTIONS

PROJECT
LAS VEGAS TECHNOLOGY CENTER
OPEN SPACES AND ENTRY FEATURES, PHASE II AND III

Domingo Cambeiro Corporation

ARCHITECTURE • ENGINEERING • PLANNING • INTERIORS

LAS VEGAS, NEVADA 89121-3805 (702) 732-0084

3555 PECOS-McLEOD IC.

SHEET NO.	S2.04
JOB NO.	93017-24
FILE NO.	93017

"AS-BUILT"

20-57