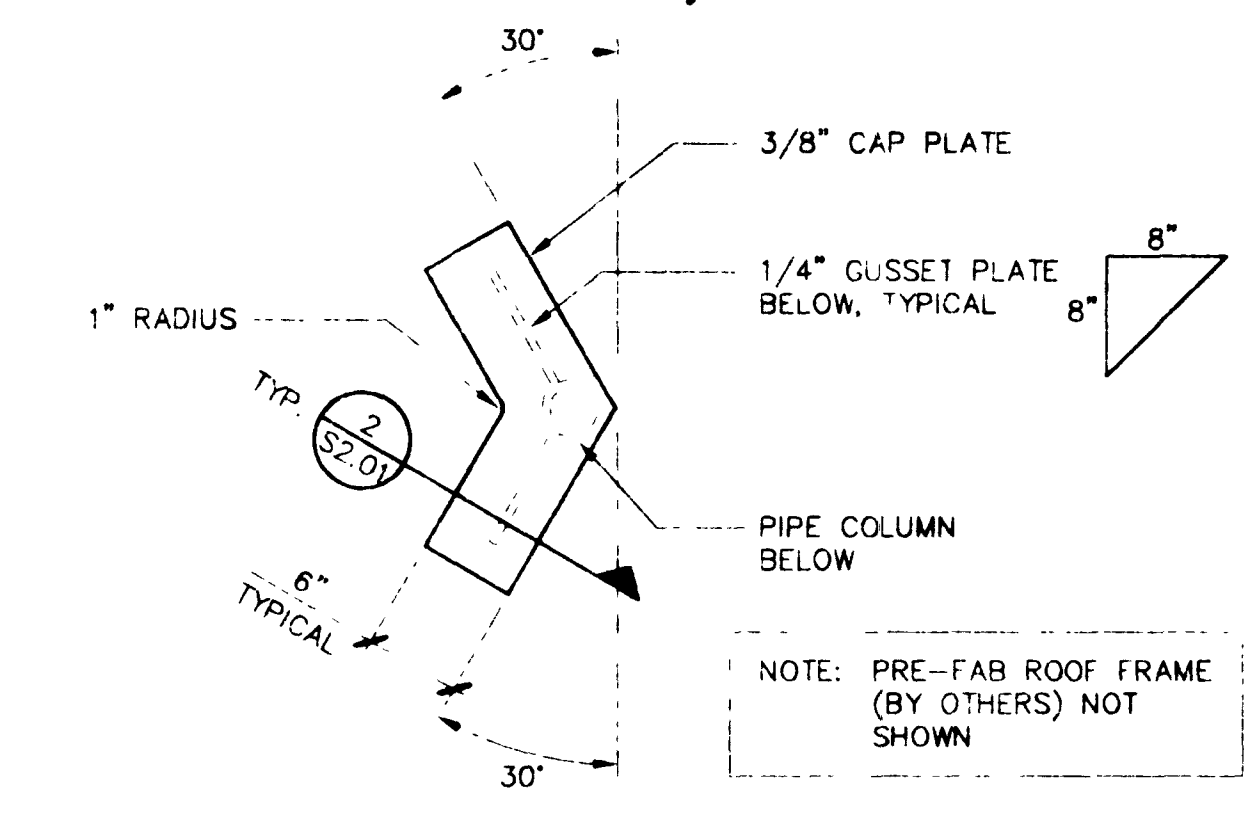
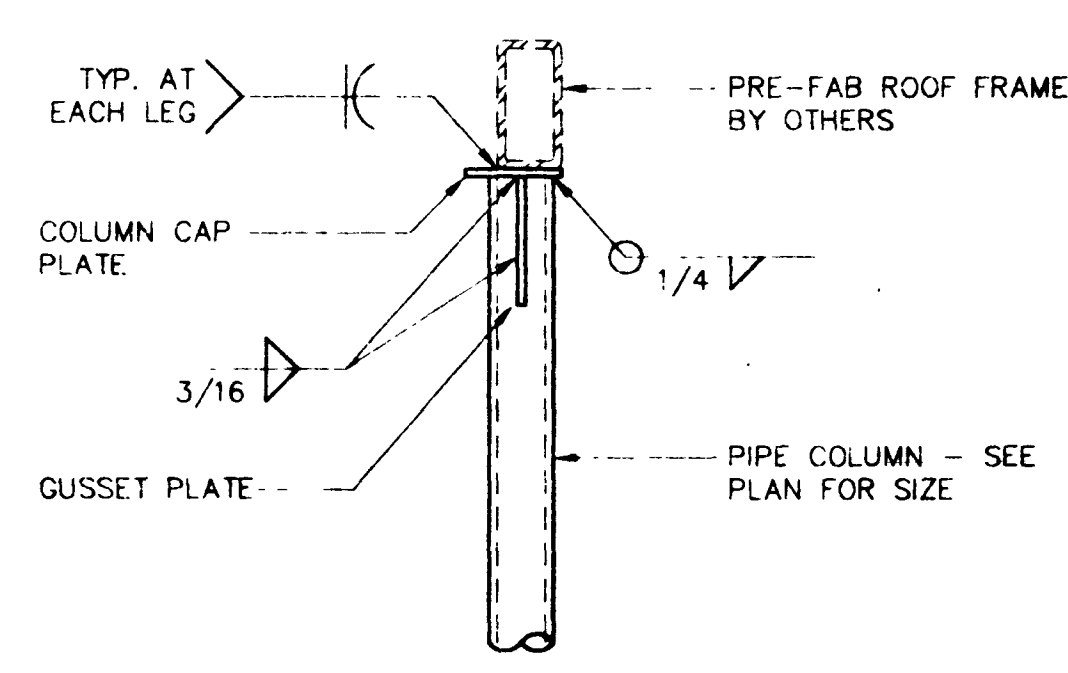


FOUNDATION PLAN - RESTROOM
1/4" = 1'-0"

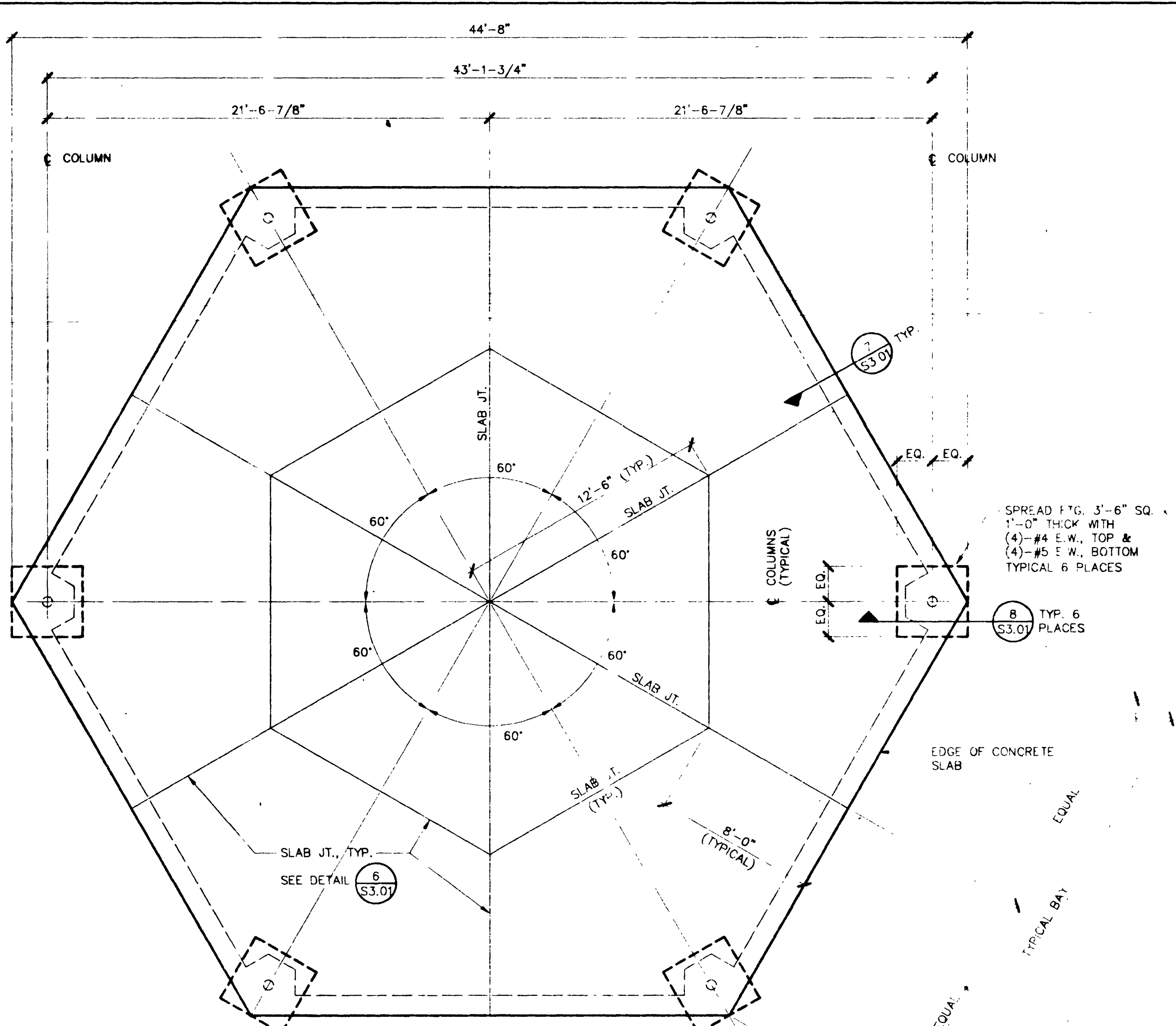
- FOUNDATION NOTES RESTROOM:**
- FLOOR SLAB SHALL BE 5" THICK CONCRETE WITH #3 AT 18" O.C. EACH WAY (CTR'D. IN SLAB) OVER 2" SAND OVER 8 MIL. POLY-ETHYLENE VAPOR BARRIER, TYPICAL UNLESS NOTED OTHERWISE. SEE SOILS REPORT FOR SUBGRADE PREPARATION.
SLAB-ON-GRADE REINFORCEMENT SHALL BE SUPPORTED ON PRECAST CONCRETE BLOCKS OR HIGH CHAIRS WITH BASE PLATES TO ACHIEVE PROPER LOCATION OF REINFORCEMENT IN THE SLAB.
 - INDICATES C.M.U. WALL LOCATIONS. SEE ARCHITECTURAL DRAWINGS FOR PARTITION WALL LOCATIONS. ALL C.M.U. WALL SHOWN SHALL BE 8" UNLESS NOTED OTHERWISE.
 - TOP OF CONCRETE (T.O.C.) SLAB ELEVATION = 100'-0" TYPICAL UNLESS NOTED OTHERWISE (ASSUMED - SEE CIVIL DRAWINGS FOR ACTUAL TOP OF CONCRETE & GRADE ELEVATIONS).
ALL TOP OF FOOTING (T.O.F.) ELEVATION SHALL BE 98'-8" TYPICAL UNLESS NOTED OTHERWISE.
 - FOR TYPICAL DETAILS OF PIPE THRU FOOTING AND TRENCHES ADJACENT TO FOOTINGS, SEE DETAILS SEE CIVIL & PLUMBING DRAWINGS FOR LOCATIONS. (1) (S3.01) & (2) (S3.01)
 - SEE ARCHITECTURAL DRAWINGS FOR DIMENSIONS & NOTES NOT COVERED ON THIS PLAN.
 - SEE (5) (S3.01) FOR TYPICAL REINFORCING AROUND C.M.U. OPENINGS.
 - REFER TO ARCHITECTURAL DRAWINGS FOR SITE ORIENTATION OF RESTROOM BUILDING.
 - C.M.U. WALL REINFORCING SHALL BE #4 VERTICALS AT 32" O.C. & (2)-#4 HORIZONTALS AT 48" O.C., TYPICAL UNLESS NOTED OTHERWISE.
 - SEE (1) (S2.01) FOR TYP. ROOF FRAME CONN. AT TOP OF STEEL COLUMN.



1 PLAN DETAIL
1" = 1'-0"



2 DETAIL
1" = 1'-0"



FOUNDATION PLAN - 44' CANOPY BLDG.
(BASE BID)
1/4" = 1'-0"

- FOUNDATION NOTES - CANOPY BLDG.**
- FLOOR SLAB SHALL BE 5" THICK CONCRETE WITH #3 AT 18" O.C. EACH WAY (CTR'D. IN SLAB) OVER 2" SAND OVER 8 MIL. POLY-ETHYLENE VAPOR BARRIER, TYPICAL UNLESS NOTED OTHERWISE. SEE SOILS REPORT FOR SUBGRADE PREPARATION.
SLAB-ON-GRADE REINFORCEMENT SHALL BE SUPPORTED ON PRECAST CONCRETE BLOCKS OR HIGH CHAIRS WITH BASE PLATES TO ACHIEVE PROPER LOCATION OF REINFORCEMENT IN THE SLAB.
 - TOP OF CONCRETE (T.O.C.) SLAB ELEVATION = 100'-0" TYPICAL UNLESS NOTED OTHERWISE (ASSUMED - SEE CIVIL DRAWINGS FOR ACTUAL TOP OF CONCRETE & GRADE ELEVATIONS).
 - FOR TYPICAL DETAILS OF PIPE THRU FOOTING AND TRENCHES ADJACENT TO FOOTINGS, SEE DETAILS SEE CIVIL & PLUMBING DRAWINGS FOR LOCATIONS. (1) (S3.01) & (2) (S3.01)
 - SEE ARCHITECTURAL DRAWINGS FOR DIMENSIONS & NOTES NOT COVERED ON THIS PLAN.
 - SEE (3) (S3.01) TYP. PLAN AT CONCRETE FOUNDATION CORNERS

REVISIONS			
REV	DESCRIPTION	DATE	BY

© DOMINGO CAMBEIRO CORPORATION 1994

R. L. BALOGH
CONSULTING ENGINEERS, INC.
8090 West Sahara Avenue, Suite B
Las Vegas, Nevada 89117
(702) 363-6104 FAX (702) 363-8905

DO NOT SCALE DRAWINGS

All designs, arrangements and plans indicated or presented by this drawing are the property of Domingo Cambeiro Corporation. The Engineer and his assistants shall be restricted to the design and construction of the project as shown on these drawings. No other work shall be done by any method in whole or in part, without the prior written consent of Domingo Cambeiro Corporation. The Engineer and his assistants shall not be held responsible for any errors or omissions in these drawings. The Engineer and his assistants shall not be held responsible for any errors or omissions in these drawings. The Engineer and his assistants shall not be held responsible for any errors or omissions in these drawings.

FOUNDATION PLAN FOR 44' CANOPY AND RESTROOM

DRAWN BY: CPD
CHECKED BY: RLB
DATE: FEBRUARY 1994

FOUNDATION PLAN - RESTROOM
1/4" = 1'-0"

LAS VEGAS TECHNOLOGY CENTER
OPEN SPACES AND ENTRY FEATURES, PHASE II AND III

Domingo Cambeiro Corporation
ARCHITECTURE • ENGINEERING • PLANNING • INTERIORS
3555 PECOS-McLEOD IC. LAS VEGAS, NEVADA 89121-3805 (702) 732-0084

SHEET NO.
S2.01

JOB NO. 93211-21
FILE NO. 93211-21
530-VII

9489

"As-Built"

