

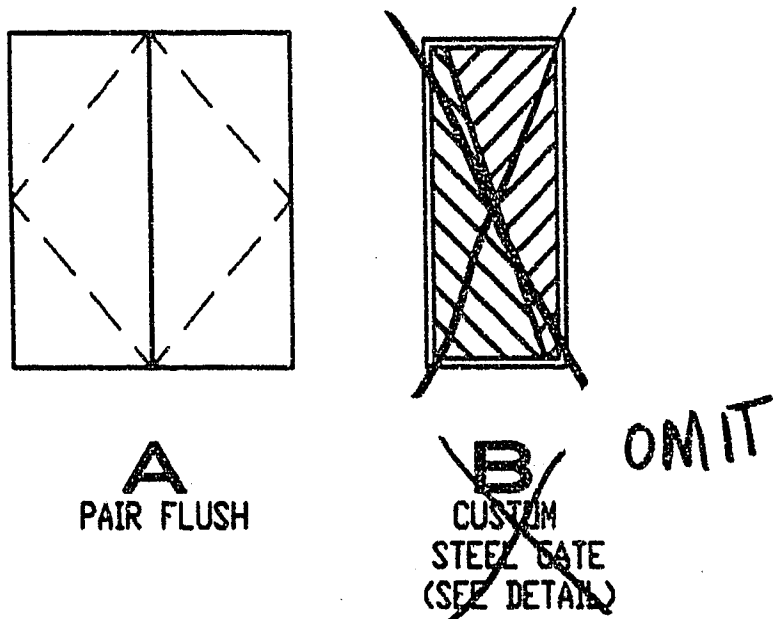
# DOOR SCHEDULE

DOOR NO.	DOOR							FRAME					REMARKS
	TYPE			TYPE	MAT'L	GAUGE	FINISH	MAT'L	GAUGE	FINISH	SIZE	JAMB	
	WIDTH	HEIGHT	THICKNESS										
101A	3'-0"	7'-0"	-	XA	STEEL	-	EP-1	HM	16 GA.	EP-1	2'X7'-3/4"	2	SEE DET. - THIS SHEET
101B	3'-0"	7'-0"	-	XA	STEEL	-	EP-1	HM	16 GA.	EP-1	2'X7'-3/4"	2	SEE DET. - THIS SHEET
102	PAIR 3'-0"	7'-0"	1-3/4	A	HM	16 GA.	EP-1	HM	16 GA.	EP-1	2'X7'-3/4"	1	SEE DET. - THIS SHEET
103A	3'-0"	7'-0"	-	XA	STEEL	-	EP-1	HM	16 GA.	EP-1	2'X7'-3/4"	2	SEE DET. - THIS SHEET
103B	3'-0"	7'-0"	-	XA	STEEL	-	EP-1	HM	16 GA.	EP-1	2'X7'-3/4"	2	SEE DET. - THIS SHEET

REMARKS:  
 PROVIDE FULL MORTISE HINGES FOR DOOR TYPE A  
 PROVIDE HALF MORTISE HINGE FOR GATE TYPE B  
 (HAGER BB 1279 4" X 4")  
 PROVIDE FULLY WELDED DOOR FRAMES MORTISED FOR HINGES.

HARDWARE FOR DOOR 102  
 3 PAIR HINGES BB1279, 4.5 X 4.5, 626 HAGER  
 1 LOCKSET 9K, D FUNCTION, LEVER 16L, 626 BEST LOCK  
 1 SURFACE BOLT (INACTIVE LEAF) 360 IVES

### DOOR TYPES



### FINISH LEGEND

**SEALED CONCRETE**  
 SC-1 HARDENER/SEALER PER SPECIFICATION 03346 (RESTROOM AND CANOPY SLABS ONLY)

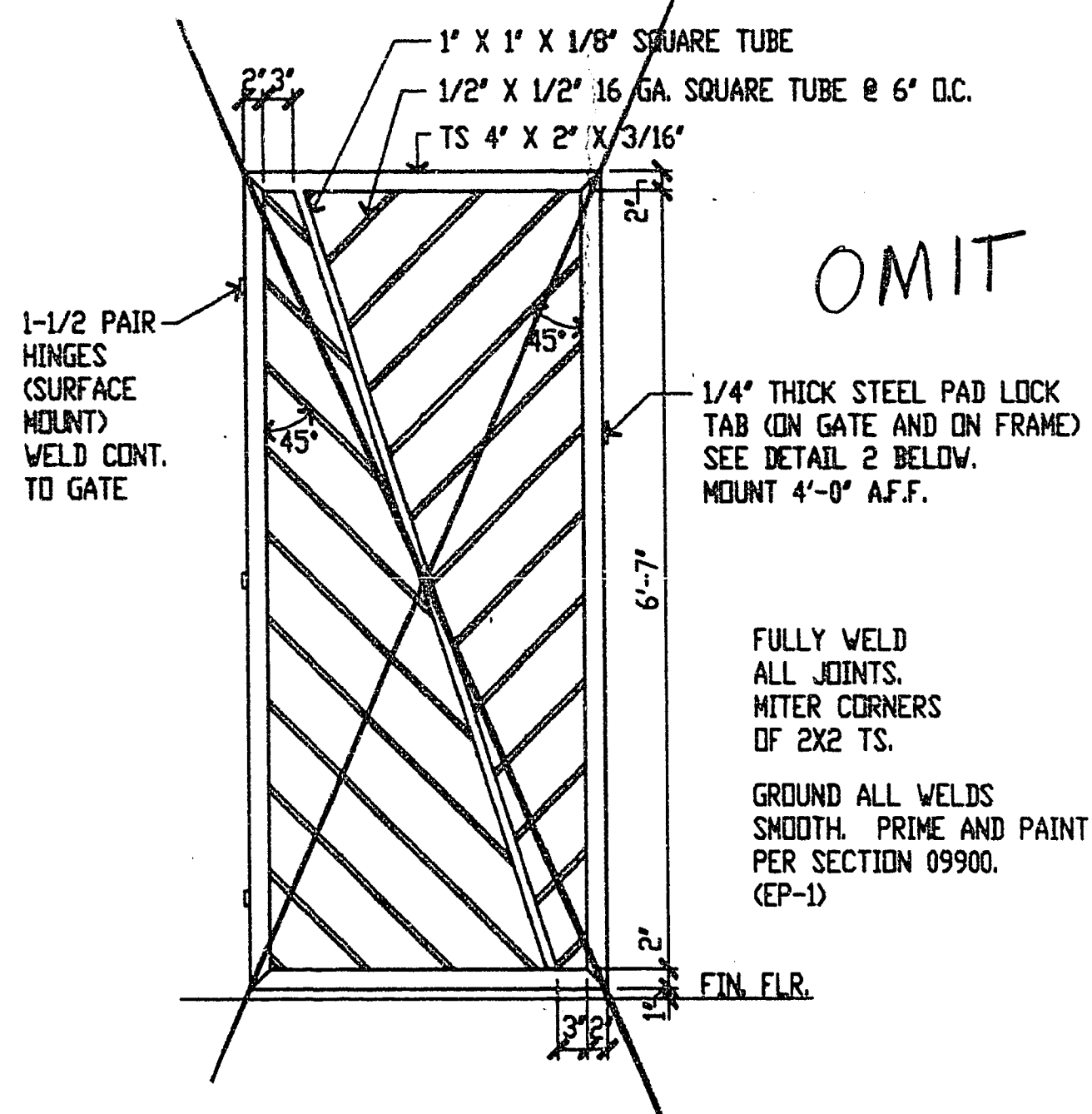
**WATERPROOFING**  
 FLUID APPLIED WATERPROOFING PER SPECIFICATION 07120 (APPLY TO ALL BELOW GRADE CONCRETE AND CMU MASONRY)

**PAINT**  
 EP-1 POLYGON PARK ARCHITECTURE POMPAND GREEN

**TOILET PARTITIONS**  
 TP-1 GLOBAL 2153 GREEN

**MASONRY**  
 CMU VMK WHITE SEALER- SEMCOAT X-CRETE 500 (ALL EXPOSED MASONRY)

**COLOR'D CONCRETE AT MONUMENT**  
 COLOR TO MATCH CMU SEAL WITH SEMCOAT X-CRETE 500 (OR APPROVED EQUAL)

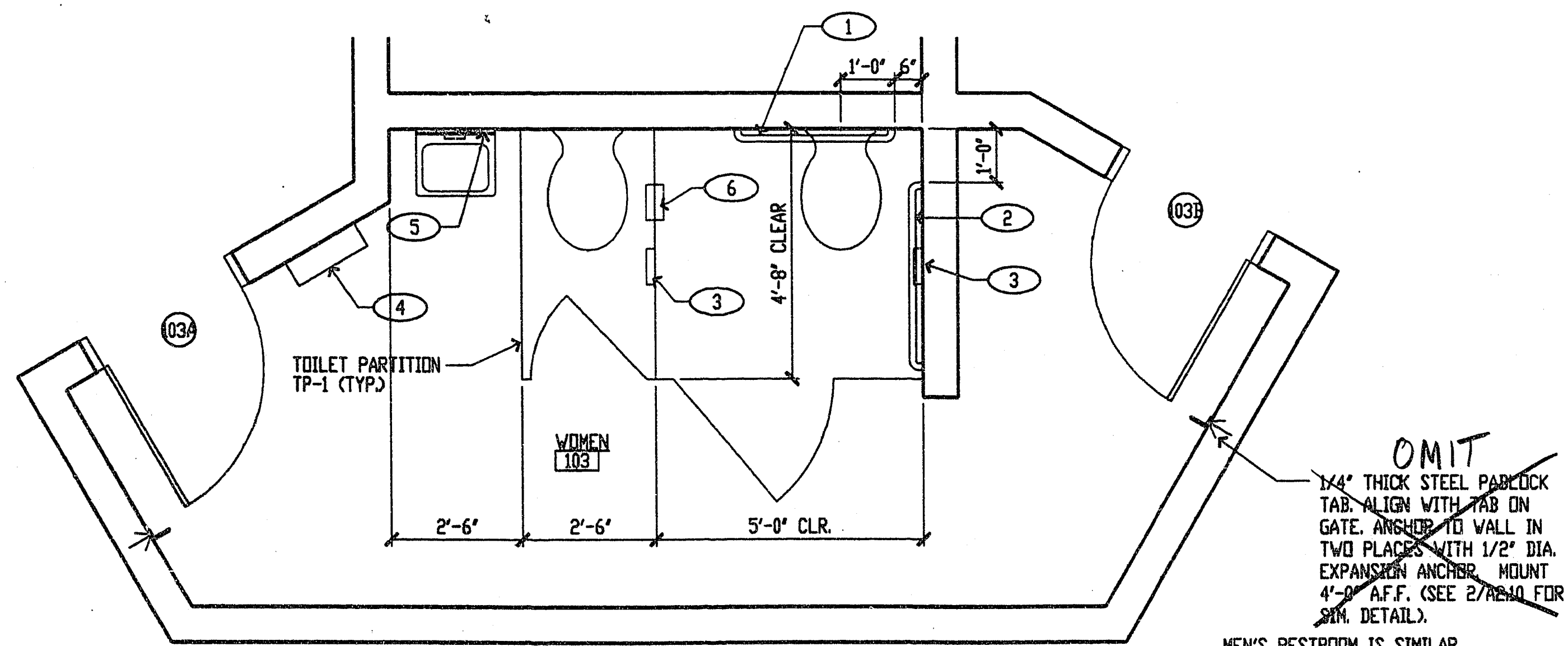


**STEEL GATE**  
 SCALE: 1"=1'-0"

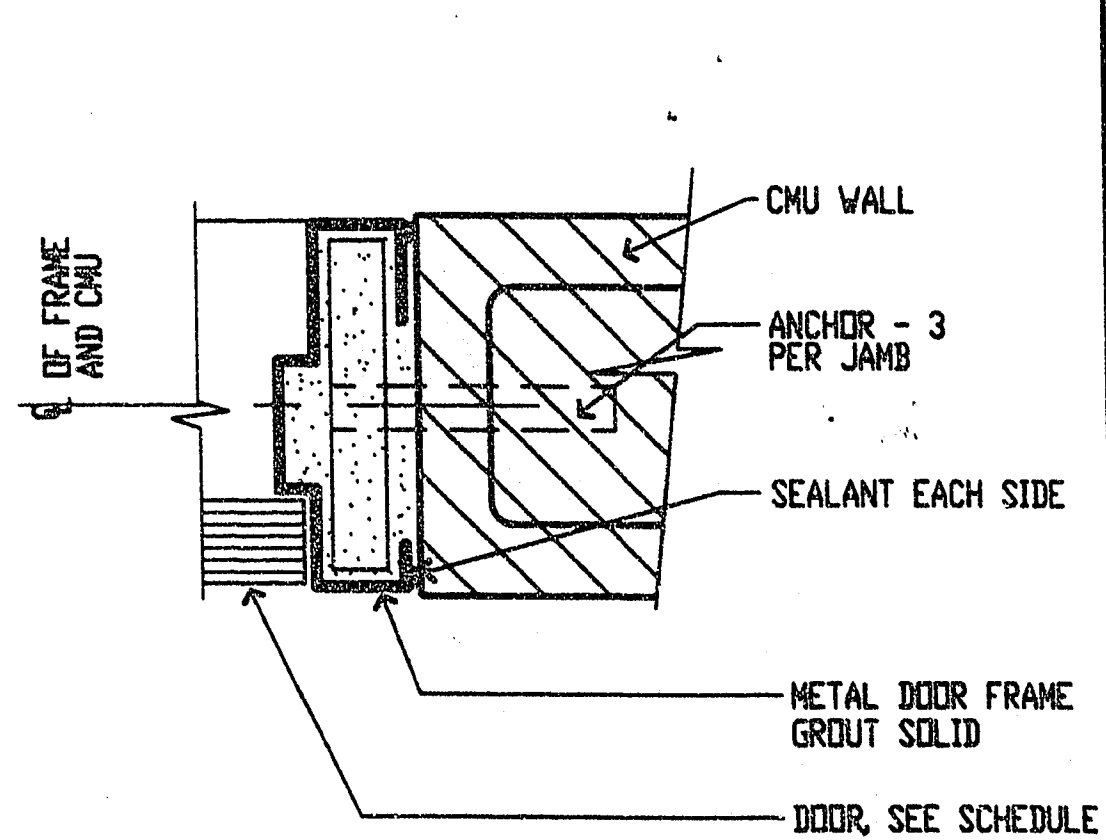
### TOILET ACCESSORY SCHEDULE

- 1 GRAB BAR 36" B-6206 (MOUNT 2'-10" A.F.F.)
- 2 GRAB BAR 42" B-6206 (MOUNT 2'-10" A.F.F.)
- 3 TOILET PAPER DISPENSER B-686 (MOUNT 2'-0" A.F.F.)
- 4 ELECTRIC HAND DRYER (SEE ELECTRICAL DRAWINGS) MOUNT CENTER OF UNIT 42" A.F.F.
- 5 STAINLESS STEEL MIRROR B-1556 (BOTTOM OF UNIT AT 40" A.F.F.)
- 6 SANITARY NAPKIN DISPOSAL B-354 (TOP OF UNIT AT 33" A.F.F.)

ALL MODEL NUMBERS ARE FROM BOBRICK WASHROOM EQUIPMENT CATALOG, ARE STANDARDS FOR COMPARISON. SEE SPECIFICATIONS FOR PROCEDURES IF SUBSTITUTION IS DESIRED.

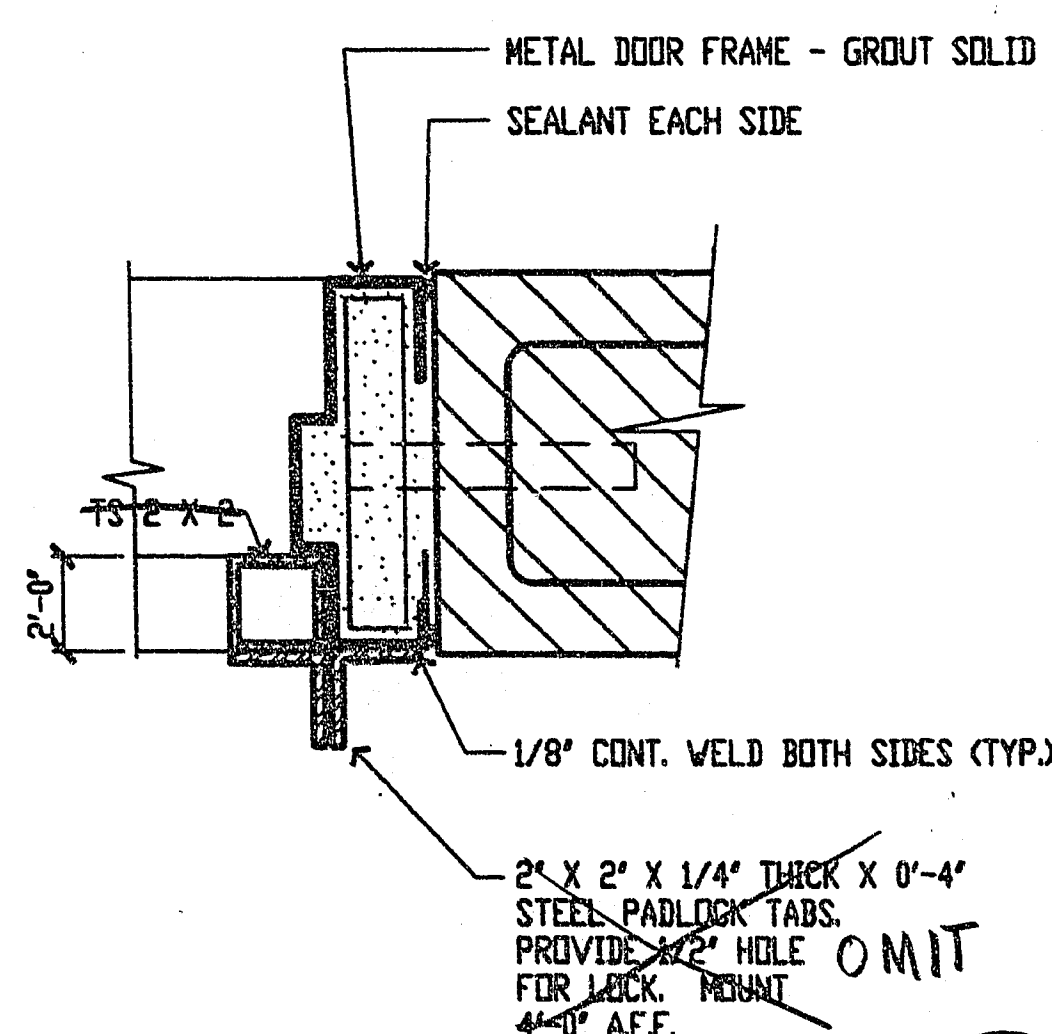


**WOMENS RESTROOM**  
 SCALE: 1/2"=1'-0"



HEAD DETAIL IS SIMILAR, MINUS ANCHORS.  
 FRAME HEAD IS 4". ROUGH OPENING IN MASONRY 7'-4".  
 (TYP. ALL DOOR FRAMES)

**DOOR JAMB DETAIL**  
 SCALE: 3/4"=1'-0"



**GATE JAMB DETAIL (LATCH SIDE)**  
 SCALE: 3/4"=1'-0"

REVISIONS			
REV	DESCRIPTION	DATE	BY

© DOMINGO CAMBEIRO CORPORATION 1994

DO NOT SCALE DRAWINGS

All designs, arrangements and plans indicated or presented by this drawing as instruments of service, are owned by and the property of DOMINGO CAMBEIRO CORPORATION. The plans and/or specifications shall be restricted to the original site for which they were prepared and publication therefore is expressly limited to such use. Reproduction, publication or re-use by any method in whole or in part, is prohibited. None of such designs, arrangements or plans shall be used by or disclosed to any person, firm, agency, or corporation without the written permission of DOMINGO CAMBEIRO CORPORATION. Visual contact with these plans and specifications shall constitute prima facie evidence of acceptance of these restrictions.

SEAL

DRAWN BY

CHECKED BY

ISSUED DATE  
 FEBRUARY 1994

SCHEDULES,  
 LEGENDS  
 AND DETAILS

PROJECT  
**LAS VEGAS TECHNOLOGY CENTER**  
 OPEN SPACES AND ENTRY FEATURES,  
 PHASES II AND III

*Domingo Cambeiro Corporation*

ARCHITECTURE • ENGINEERING • PLANNING • INTERIORS •

LAS VEGAS, NEVADA 89121-3805  
 3655 PECOS-MCLEOD IC. (702) 732-0084

SHEET NO.  
**A2.10**

JOB NO. 93197  
 FILE NO. 9197A210.DWG 530-V1J

"As-Built"