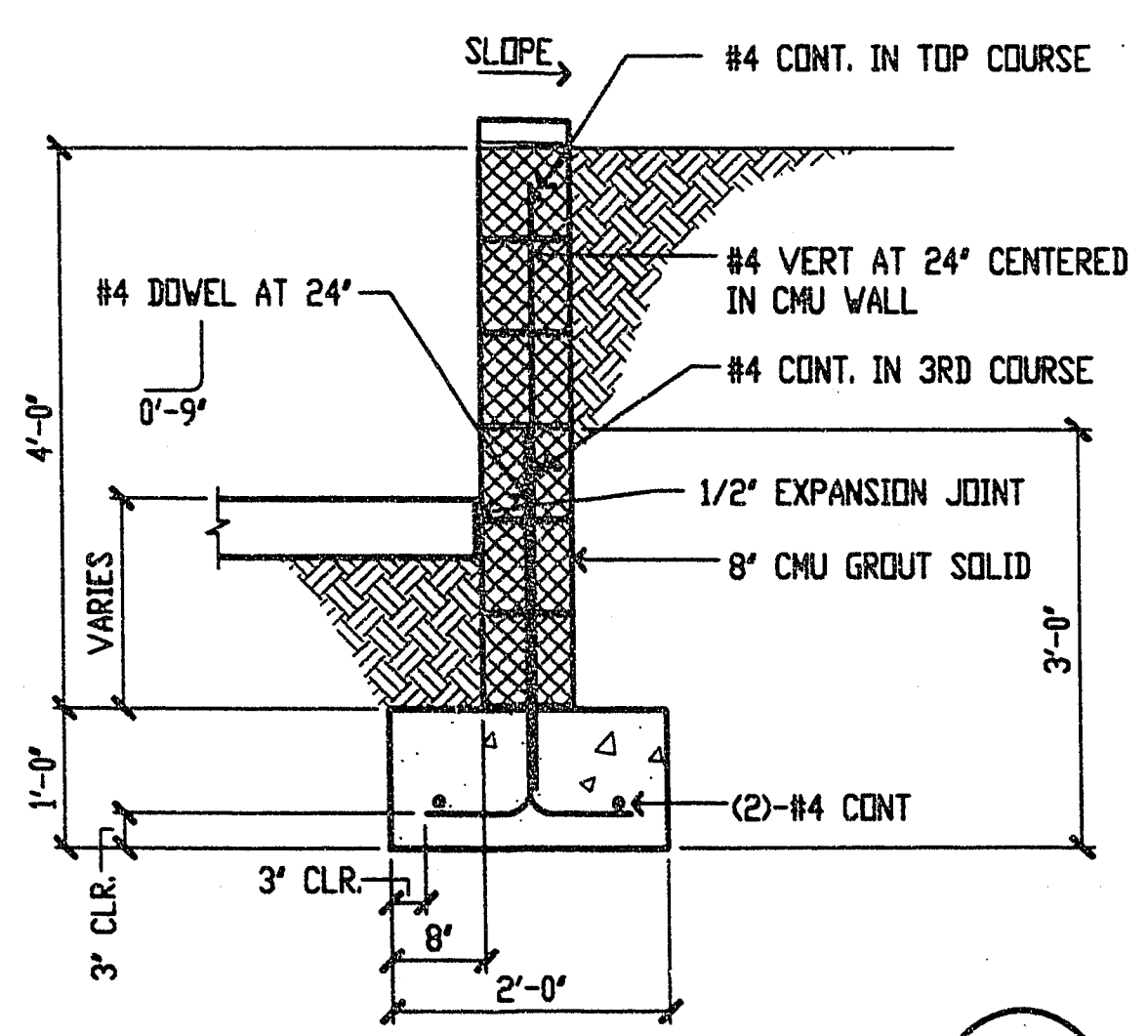
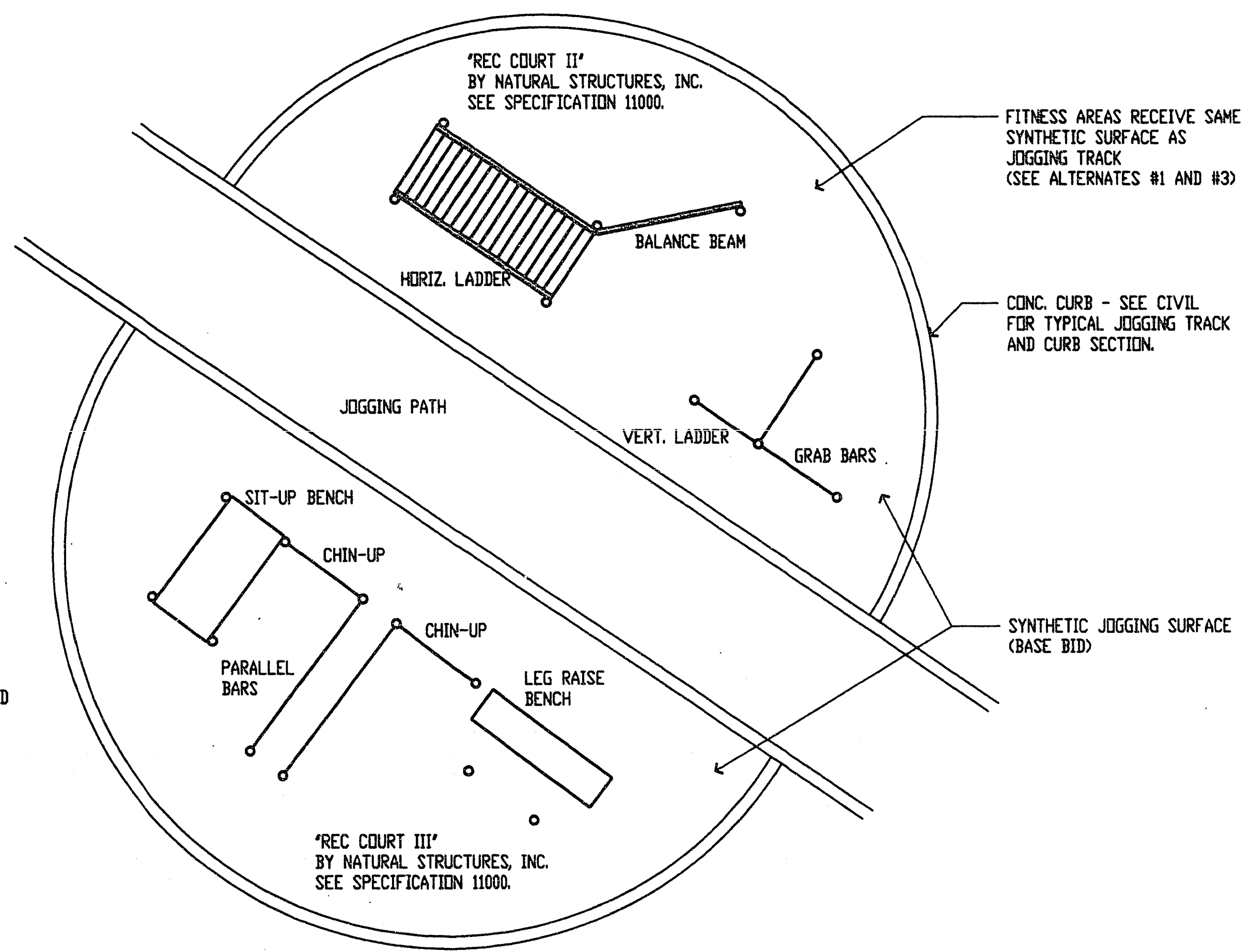


SECTION AT AMPHITHEATER A
SCALE: 1/4"=1'-0"



FITNESS EQUIPMENT PLAN
SCALE: 1/4"=1'-0"

FLOOR PLAN - AMPHITHEATER
SCALE: 1/4"=1'-0"

- NOTES**
1. PROVIDE 2" WHITE CMU CAP ON ALL WALLS. T.O.W. ELEVATION DATUM DOES NOT INCLUDE CAP. SLOPE TOP OF CAP AWAY FROM STAGE FOR POSITIVE DRAINAGE.
 2. PROVIDE FLUID-APPLIED WATERPROOFING AND PROTECTION BOARD BELOW GRADE ON BACKFILL SIDE OF RETAINING WALL.
 3. ALL CMU SHALL BE 8X8X16 SPLIT-FACE W/MK WHITE, RUNNING BOND W/ RODDED JOINTS.
 4. PROVIDE 1/2" EXPANSION JOINT BETWEEN CMU WALLS AND POURED IN PLACE CONCRETE.
 5. PROVIDE SLIP-RESISTANT BROOMED SURFACE FOR CONCRETE BENCHES AND STAGE.
 6. PROVIDE 2% SLOPE FOR DRAINAGE AT CONCRETE BENCHES AND STAGE. SEE CIVIL FOR DRAINAGE AT SIDEWALKS AND AT CONCRETE SLAB BETWEEN BENCH AND STAGE.

REVISIONS			
REV	DESCRIPTION	DATE	BY

© DOMINGO CAMBEIRO CORPORATION 1994

DO NOT SCALE DRAWINGS

All designs, arrangements and plans indicated or presented by this drawing as instruments of service, are owned by and the property of DOMINGO CAMBEIRO CORPORATION. The plans and/or specifications shall be restricted to the original site for which they were prepared and publication therefore is expressly limited to such use. Reproduction, publication or re-use by any method in whole or in part is prohibited. None of such designs, arrangements or plans shall be used by or disclosed to any person, firm, agency, or corporation without the written permission of DOMINGO CAMBEIRO CORPORATION. Visual contact with these plans and specifications shall constitute prima facie evidence of acceptance of these restrictions.

SEAL
DRAWN BY
CHECKED BY
ISSUED DATE
FEBRUARY 1994

AMPHITHEATER AND FITNESS AREA PLANS

**LAS VEGAS TECHNOLOGY CENTER
OPEN SPACES AND ENTRY FEATURES,
PHASES II AND III**

Domingo Cambeiro Corporation
ARCHITECTURE • ENGINEERING • PLANNING • INTERIORS
3555 PECOS-McLEOD IC.
LAS VEGAS, NEVADA 89121-3805
(702) 732-0084

SHEET NO.
A1.03
JOB NO. 93197
FILE NO. 9197A103.DWG 530-V1J