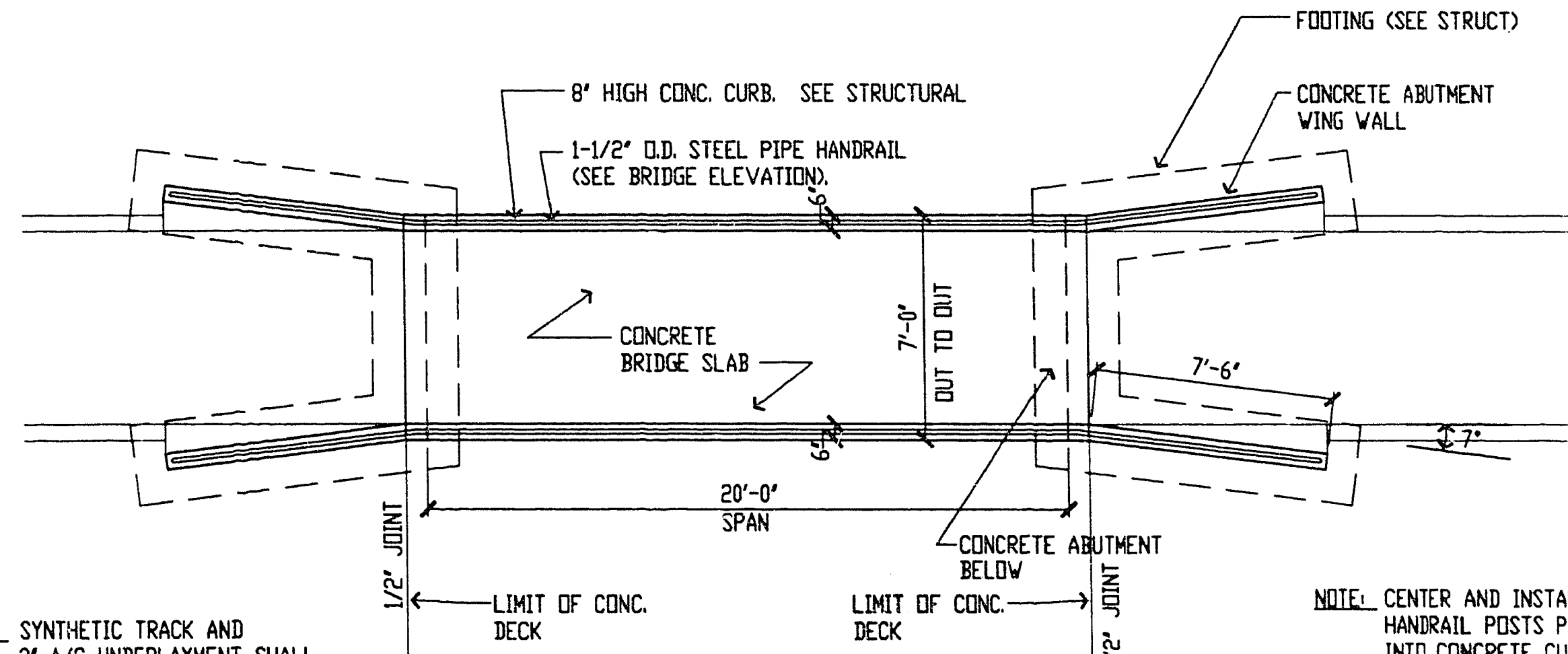
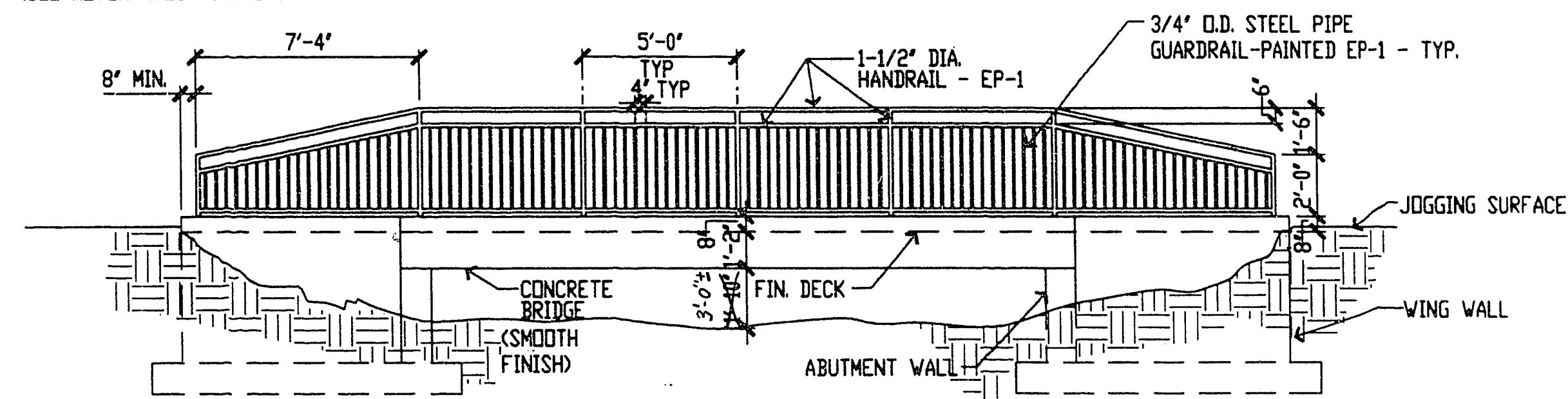


MONUMENT SIGN ELEVATION
SCALE = 1/4"=1'-0" SEE PLAN BELOW.



BRIDGE PLAN
SCALE = 1/4"=1'-0"

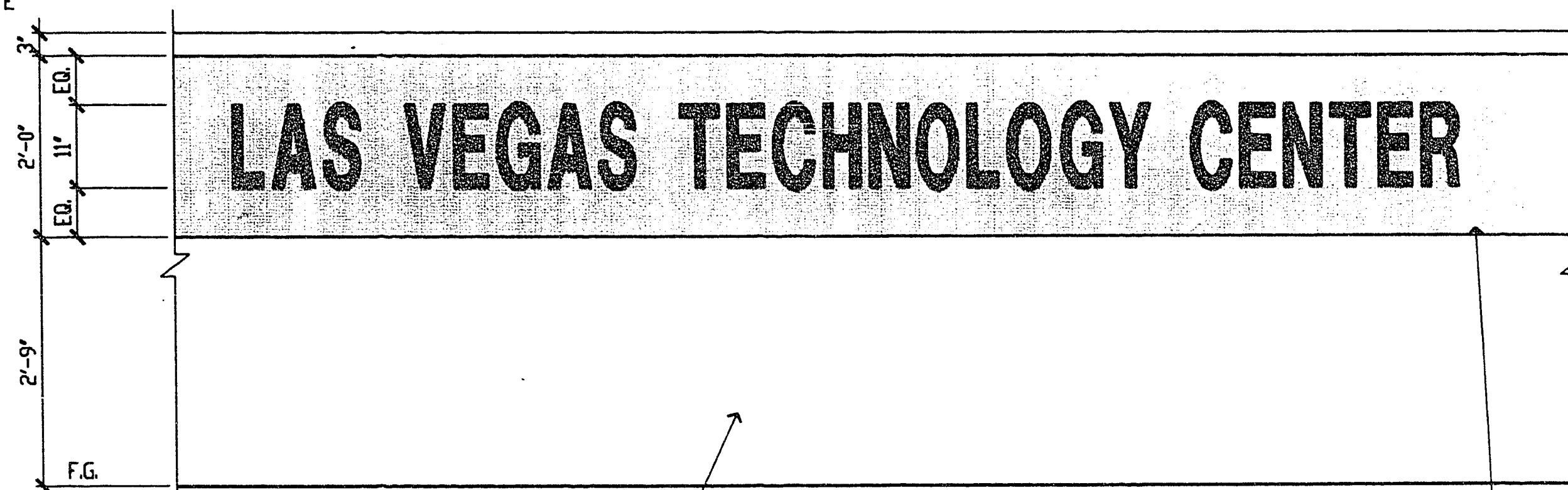


BRIDGE ELEVATION
SCALE = 1/4"=1'-0"

NOTES
 (X) INDICATES THICKNESS OF CONCRETE MEASURED FROM BACK FACE OF MONUMENT (SEE PLAN).
 PROVIDE CUSTOM COLORED CONCRETE TO MATCH COLORED CMU (V.M.K. WHITE) (SMOOTH FINISH)
 SEE STRUCTURAL FOR REINFORCING
 SEAL ALL EXPOSED CONCRETE WITH SEMCOAT X-CRETE 500 (OR APPROVED EQUAL)

NOTE: CENTER AND INSTALL HANDRAIL POSTS PLUMB INTO CONCRETE CURB A MINIMUM OF 8" SET IN PLACE WITH EPOXY GROUT - SEE SPEC. SECTION 05520

NOTE: SEAL ALL EXPOSED CONCRETE WITH SEMCOAT X-CRETE 500 (OR APPROVED EQUAL)

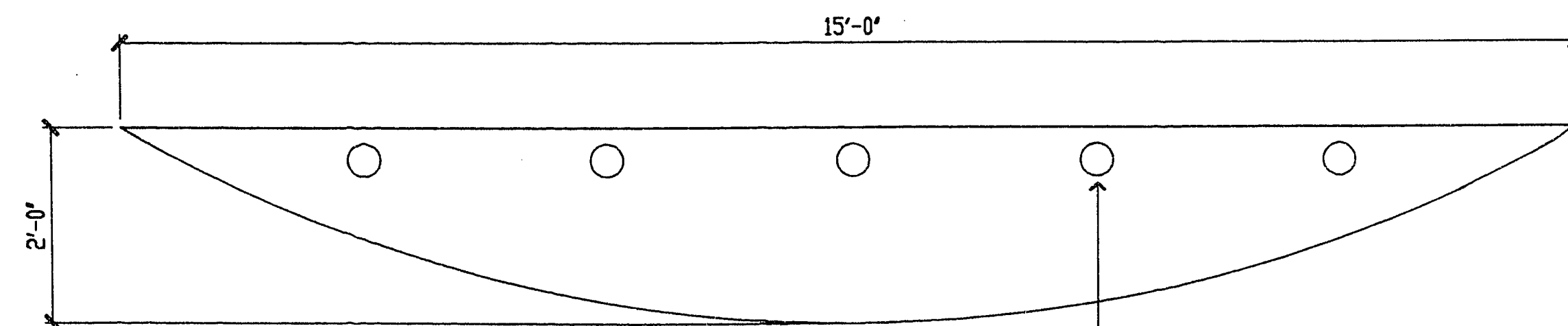


SIGNAGE ELEVATION
SCALE = 3/4"=1'-0"

COLORLED CONCRETE WALL
COLOR TO MATCH (V.M.K. WHITE)

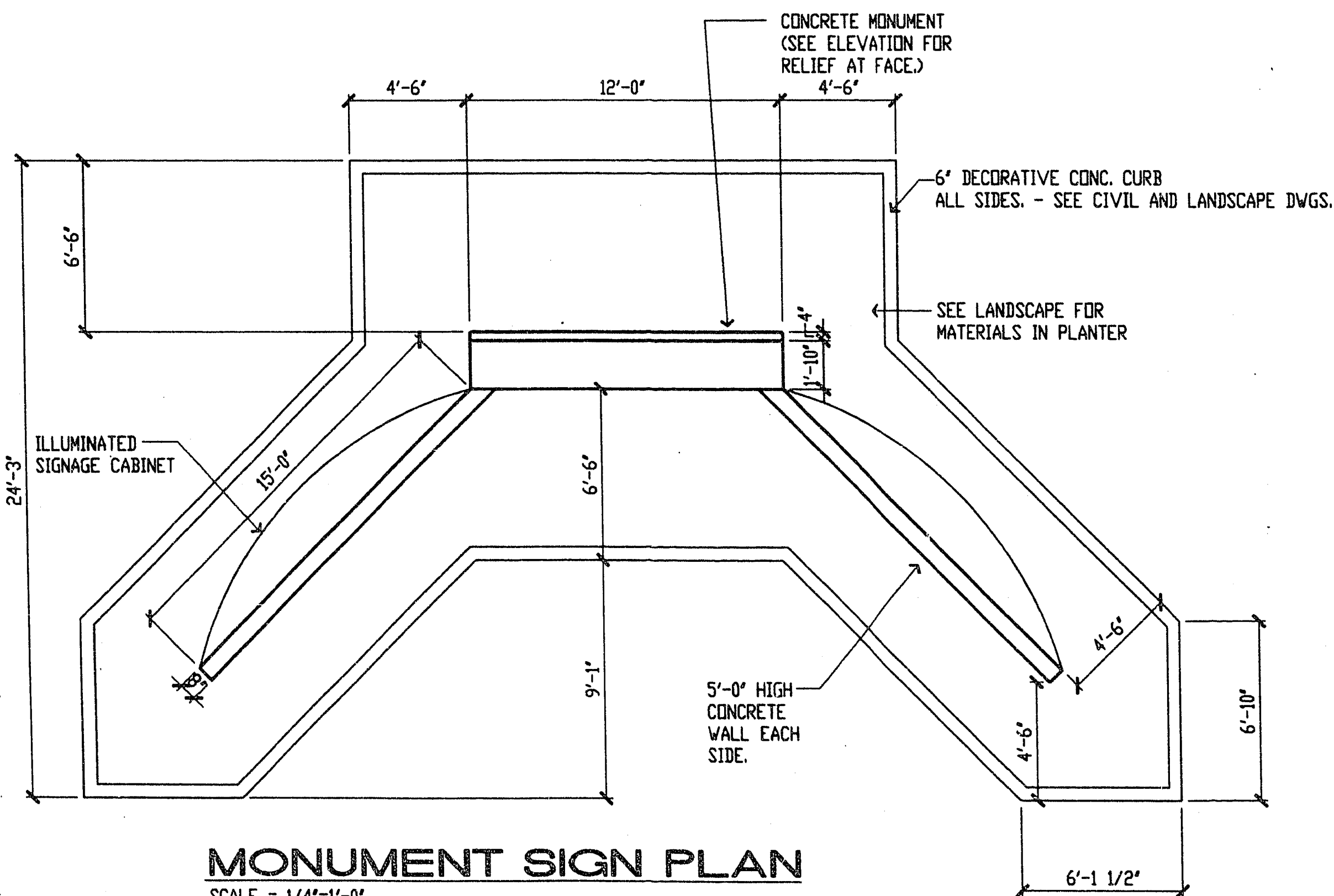
S/F INT. 6500 DEG WHITE ARGON ILLUMINATED SHEET METAL CABINETS. SHEET METAL FACE WITH 11" ROUTED OUT COPY. STANDARD BOLD LETTER FONT, MACHINE CUT. BACK FACE WITH WHITE ACRYLIC #0152, PAINT CABINET & FACE MATTHEWS BURGUNDY MARDON 42-215 VDC 282-215 (TOTAL OF 4 REQ'D)

4 SF INTERNALLY ILLUM. WALL MTD. SIGNS



SIGNAGE PLAN
SCALE = 3/4"=1'-0"

5 DOWN SPOTS PER CABINET TO ILLUMINATE PLANTER AREA (DOWN WASH EFFECT)
50 WATT 120-130V LAMP



MONUMENT SIGN PLAN
SCALE = 1/4"=1'-0" SEE C2.03 FOR LOCATIONS ON SITE (TWO REQUIRED).

REVISIONS			
REV	DESCRIPTION	DATE	BY

© DOMINGO CAMBEIRO CORPORATION 1994

DO NOT SCALE DRAWINGS

All designs, arrangements and plans indicated or presented by this drawing as instruments of service, are owned by and the property of DOMINGO CAMBEIRO CORPORATION. The plans and/or specifications shall be restricted to the original site for which they were prepared and publication therefore is expressly limited to such use. Reproduction, publication or re-use by any method in whole or in part, is prohibited. None of such designs, arrangements or plans shall be used by or disclosed to any person, firm, agency, or corporation without the written permission of DOMINGO CAMBEIRO CORPORATION. Visual contact with these plans and specifications shall constitute prima facie evidence of acceptance of these restrictions.

SEAL	
DRAWN BY	
CHECKED BY	
ISSUED DATE	FEBRUARY 1994

MONUMENT SIGN AND BRIDGE

PROJECT
LAS VEGAS TECHNOLOGY CENTER
 OPEN SPACES AND ENTRY FEATURES, PHASES II AND III

Domingo Cambeiro Corporation

ARCHITECTURE • ENGINEERING • PLANNING • INTERIORS

LAS VEGAS, NEVADA 89121-3805
 3555 PECOS-MCLEOD IC. (702) 732-0084

SHEET NO.	A1.02
JOB NO.	93197
FILE NO.	9197A102.DWG 530-V1J