

REVISIONS			
REV	DESCRIPTION	DATE	BY

© DOMINGO CAMBEIRO CORPORATION 1994

DO NOT SCALE DRAWINGS

All designs, arrangements and plans indicated or presented by this drawing as instruments of service, are owned by and the property of DOMINGO CAMBEIRO CORPORATION. The plans and/or specifications shall be restricted to the original site for which they were prepared and publication therefore is expressly limited to such use. Reproduction, publication or reuse by any method in whole or in part, is prohibited. None of such designs, arrangements or plans shall be used by or disclosed to any person, firm, agency, or corporation without the written permission of DOMINGO CAMBEIRO CORPORATION. Visual contact with these plans and specifications shall constitute prima facie evidence of acceptance of these restrictions.

SEAL	
DRAWN BY	JOEL E.
CHECKED BY	R.G.K.
ISSUED DATE	FEBRUARY 1994

**ELECTRICAL SITE PLAN EAST SIDE**

**PROJECT**  
**LAS VEGAS TECHNOLOGY CENTER**  
 OPEN SPACES AND ENTRY FEATURES, PHASE II AND III

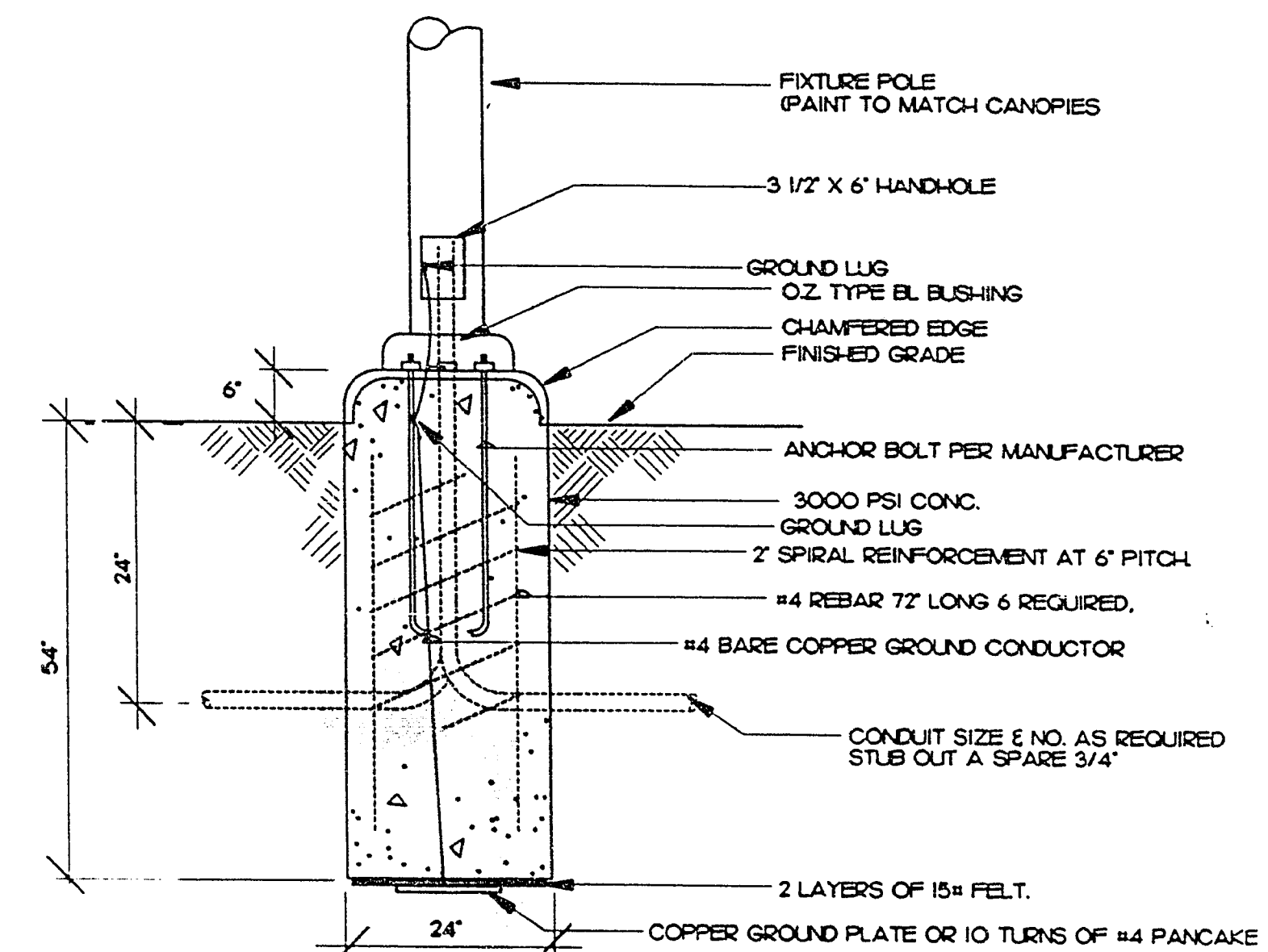
**DOMINGO CAMBEIRO CORPORATION**  
 ARCHITECTURE • ENGINEERING • PLANNING • INTERIORS  
 3555 PECOS-McLEOD IC. LAS VEGAS, NEVADA 89121-3605 (702) 732-0084

SHEET NO.  
**E2.01**

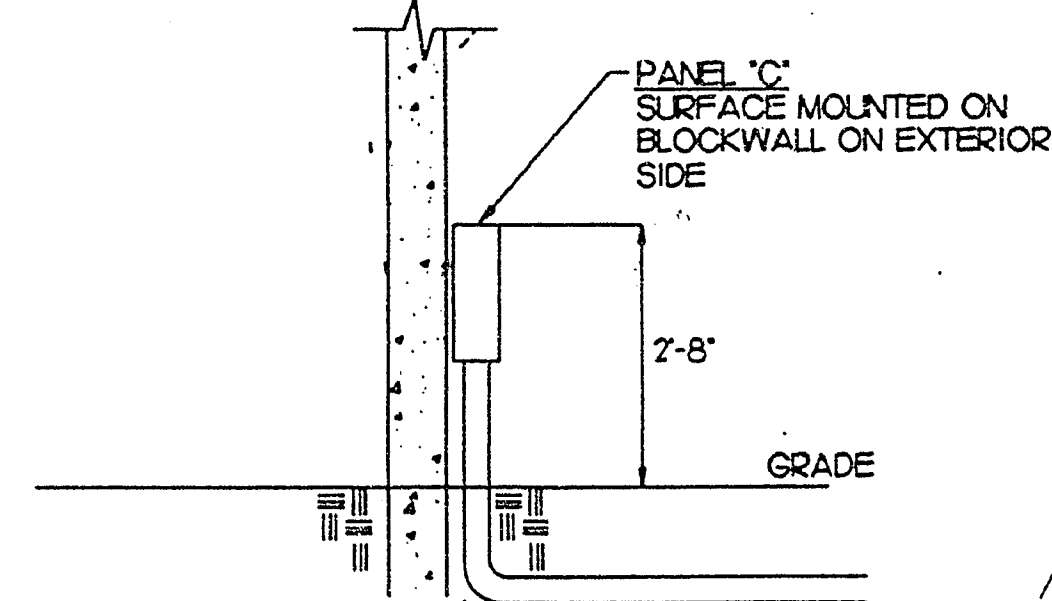
JOB NO. 530-V1J  
 FILE NO. P:\33027\33027E21 10/01/93 12:48

**PLAN NOTES**

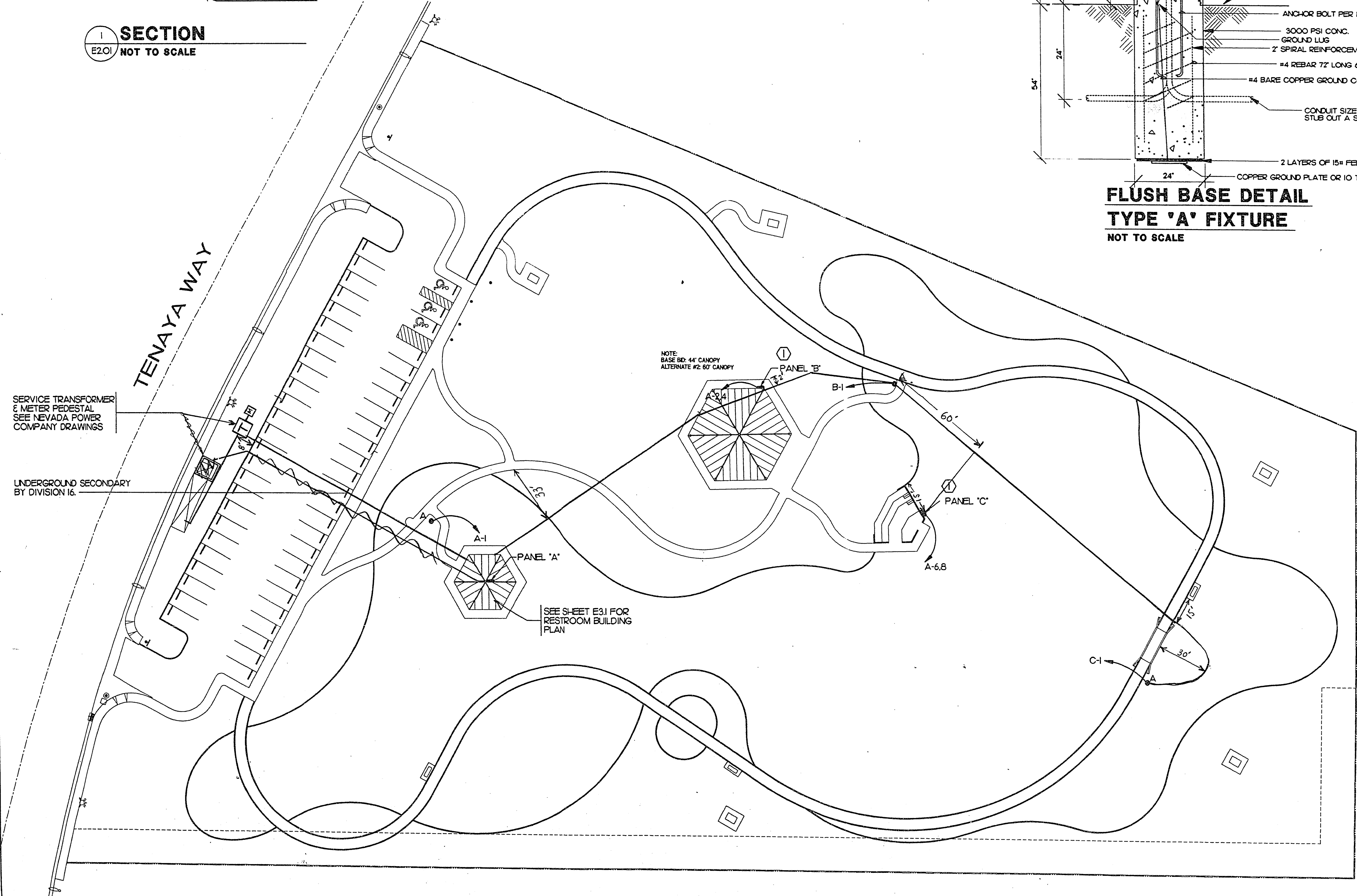
① PANEL 'B' AND 'C' SHALL BE POWER OUTLET PANELS ON SIDE OF AMPHITHEATER AND COLUMN OF CANOPIES. PANEL 'A' SHALL BE SQUARE 'D' PAKIIC 40A, 120V, 1 PHASE WITH (2) 20A/1P CIRCUIT BREAKERS AND (2) DUPLEX RECEPTACLES, NEMA 3R ENCLOSURE. PANEL AT COLUMN LOCATION SHALL BE MOUNTED ON BACK SIDE OF COLUMN. CONSEAL CONDUIT WHEREVER POSSIBLE.



**FLUSH BASE DETAIL  
 TYPE 'A' FIXTURE**  
 NOT TO SCALE



**SECTION  
 E2.01**  
 NOT TO SCALE



**ELECTRICAL SITE PLAN EAST SIDE**  
 SCALE: 1" = 30'

