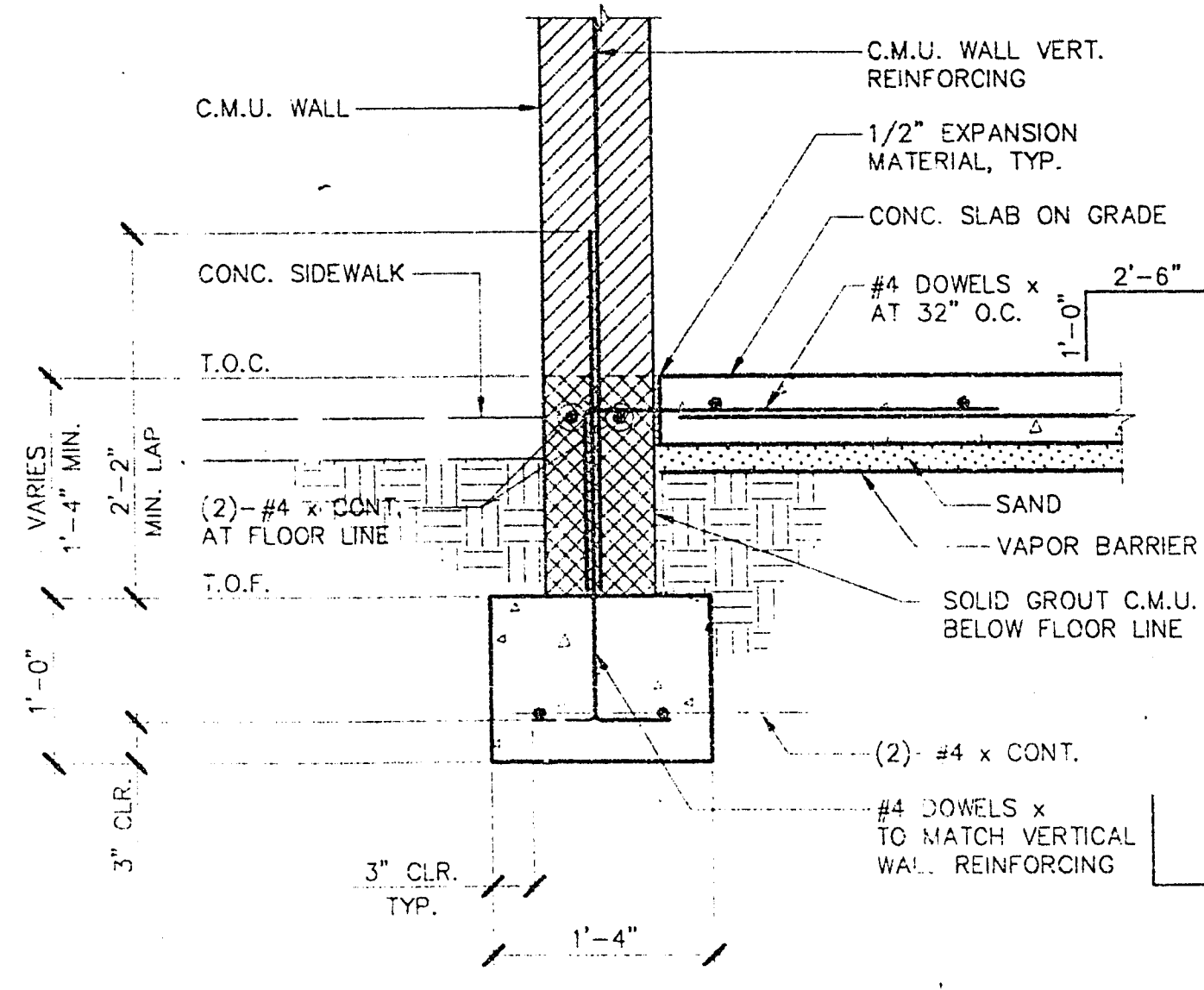
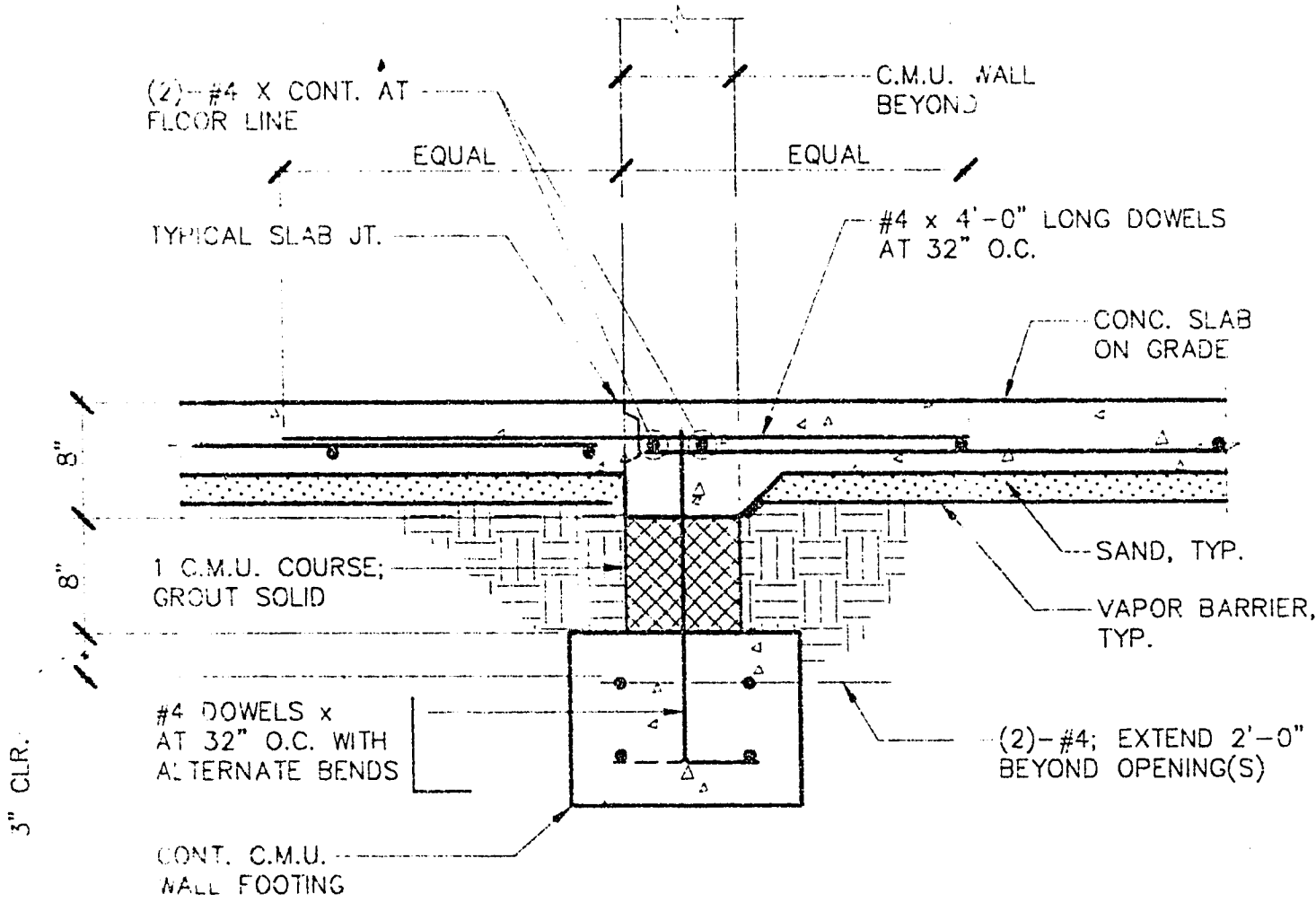


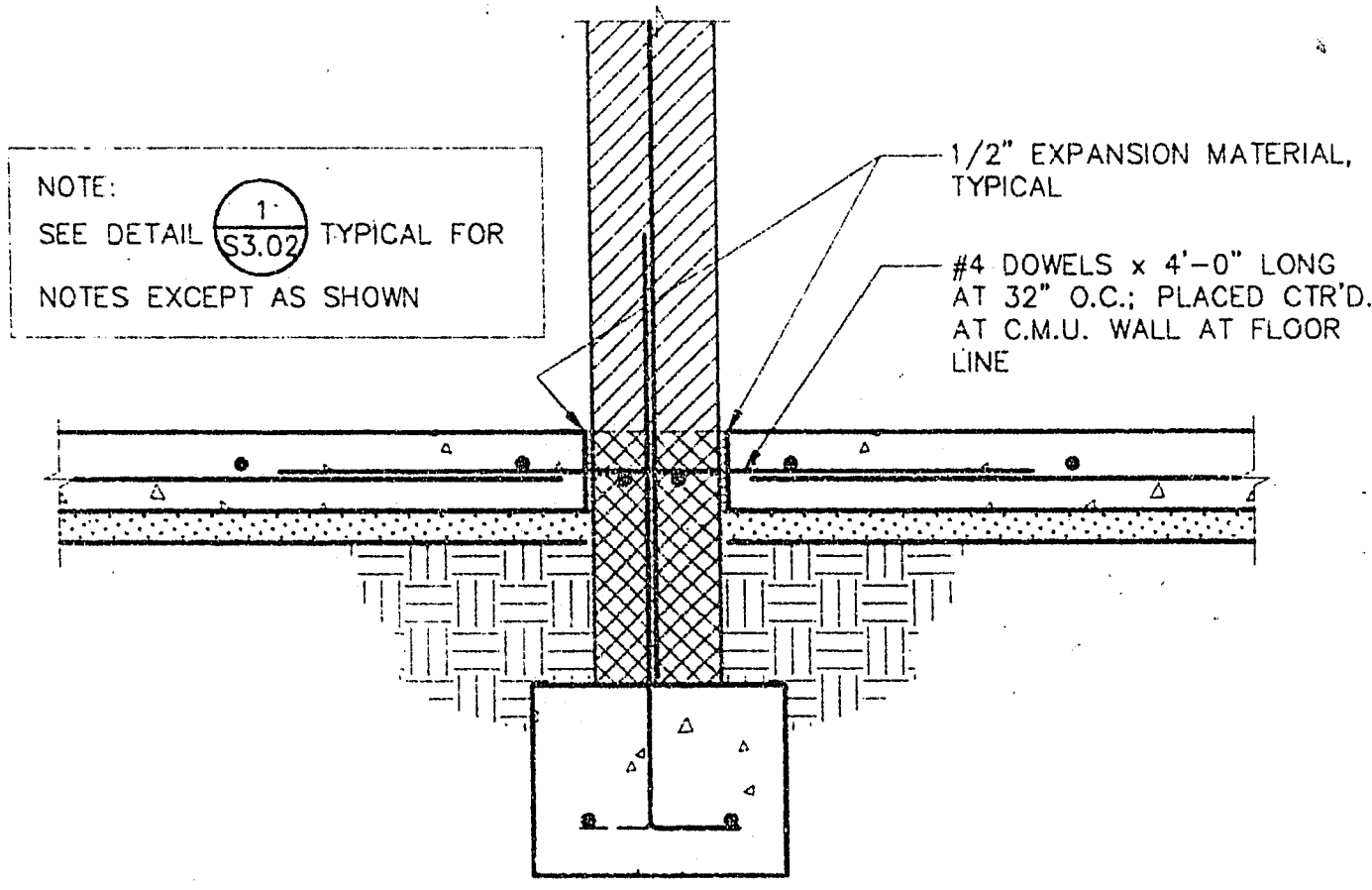
4 DETAIL 1" = 1'-0"



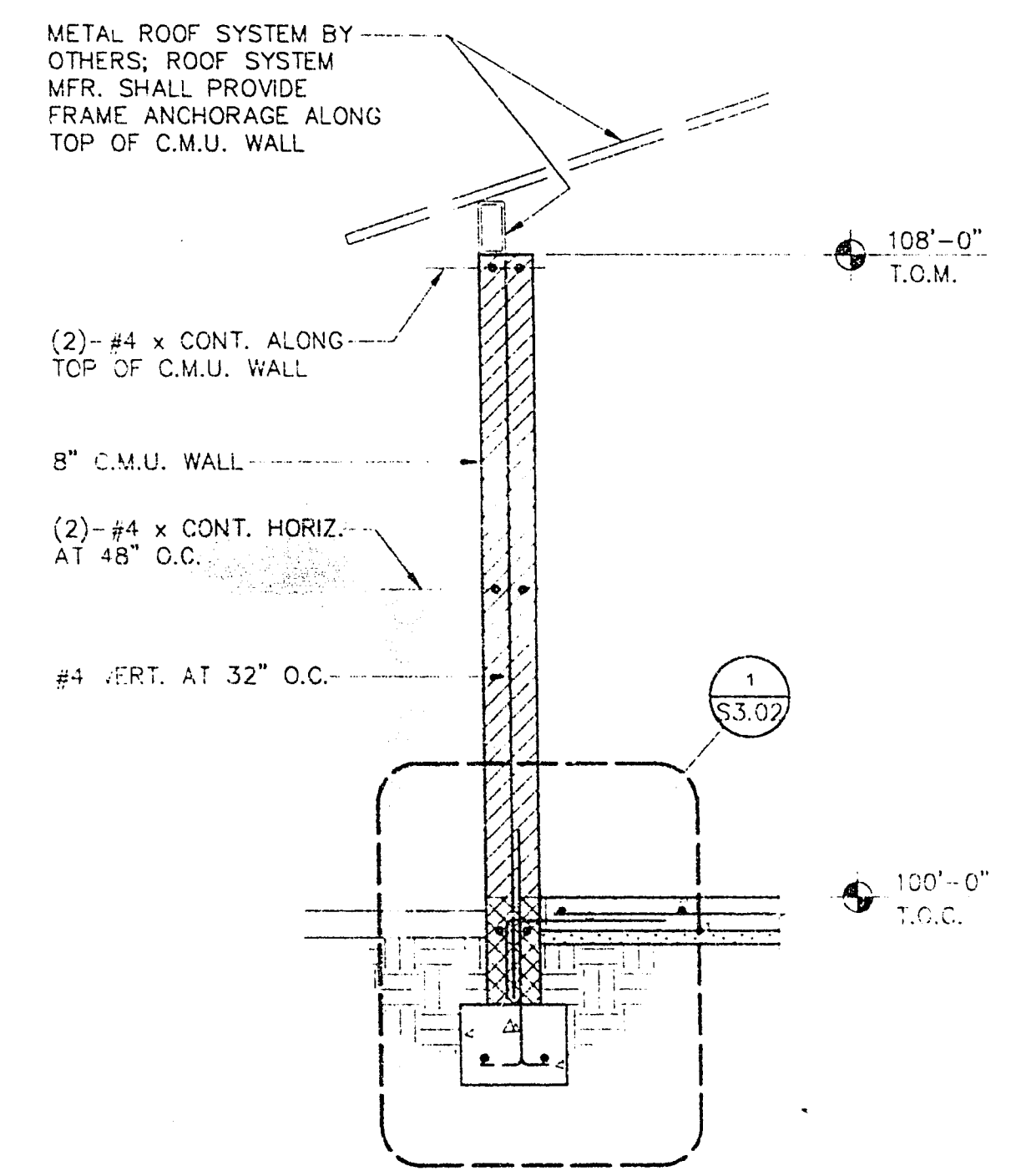
1 DETAIL 1" = 1'-0"



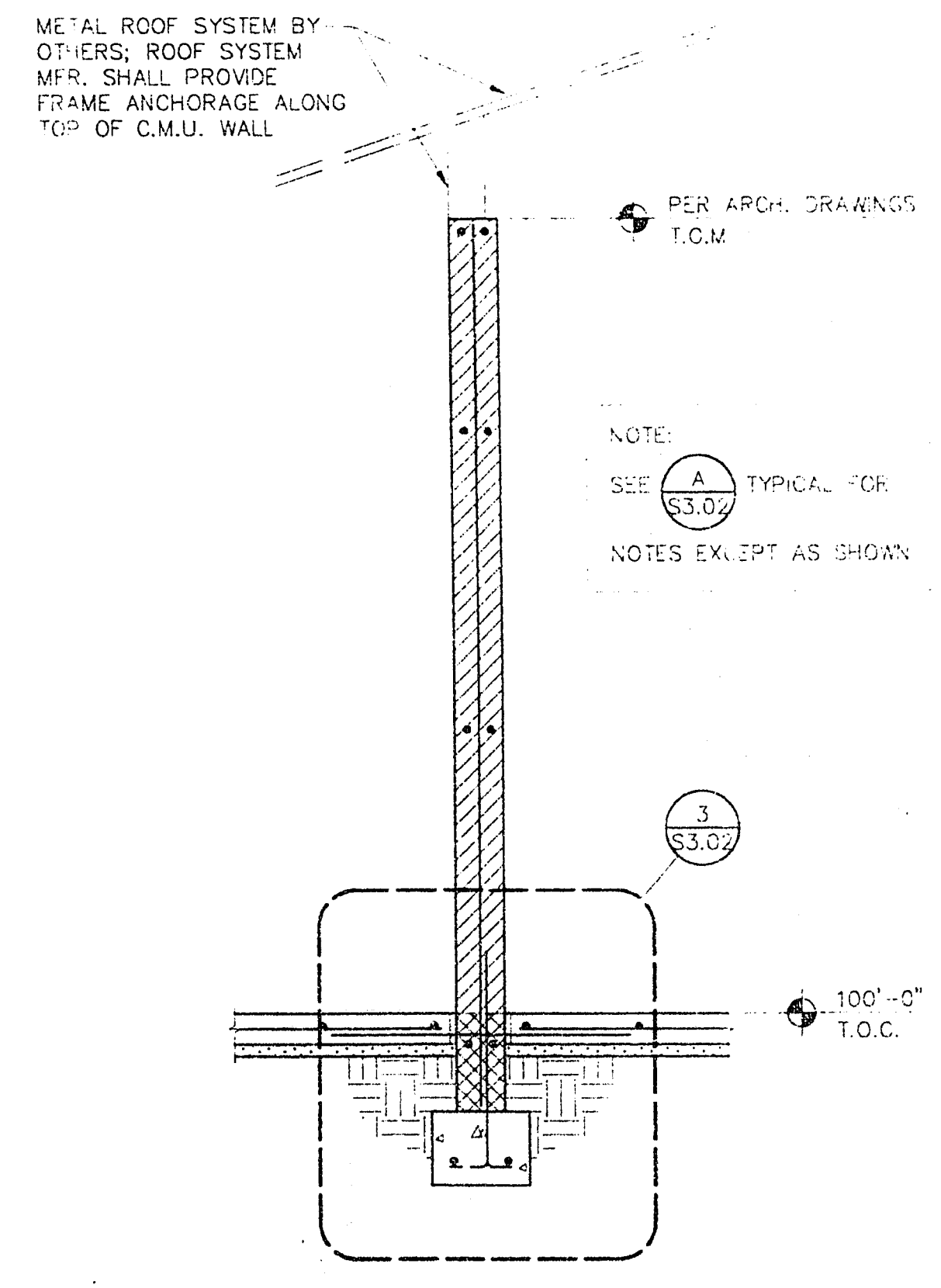
2 DETAIL 1" = 1'-0"



3 DETAIL 1" = 1'-0"



A WALL SECTION 1/2" = 1'-0"



B WALL SECTION 1/2" = 1'-0"

REVISIONS			
REV	DESCRIPTION	DATE	BY

© DOMINGO CAMBEIRO CORPORATION 1994

R. L. BALOGH
CONSULTING ENGINEERS, INC.
8080 West Sahara Avenue, Suite B
Las Vegas, Nevada 89117
(702) 363-6104 FAX (702) 363-8905

DO NOT SCALE DRAWINGS

All designs, drawings and plans indicated or presented herein, including all instruments of service, are hereby made the property of DOMINGO CAMBEIRO CORPORATION. The drawings and specifications shall be restricted to the project and shall not be used for any other project without the express written consent of DOMINGO CAMBEIRO CORPORATION. Reproduction, distribution or use by any method in whole or in part, including electronic design, arrangement, or any other means, is prohibited. Any person who reproduces, distributes, or uses any part of these drawings without the express permission of DOMINGO CAMBEIRO CORPORATION shall be liable for all damages and costs, including reasonable attorney's fees.

Domingo Cambeiro Corporation
ARCHITECTURE • ENGINEERING • PLANNING • INTERIORS
LAS VEGAS, NEVADA 89121-3805 (702) 732-0084

DRAWN BY	CPD
CHECKED BY	RLB
DATE	FEBRUARY 1994

WALL SECTIONS AND DETAILS

PROJECT
LAS VEGAS TECHNOLOGY CENTER
OPEN SPACES AND ENTRY FEATURES, PHASE II AND III

SHEET NO.
S3.02

JOB NO. 93017-32
FILE NO. 93017 530-VUJ

20-59

"As-Built"