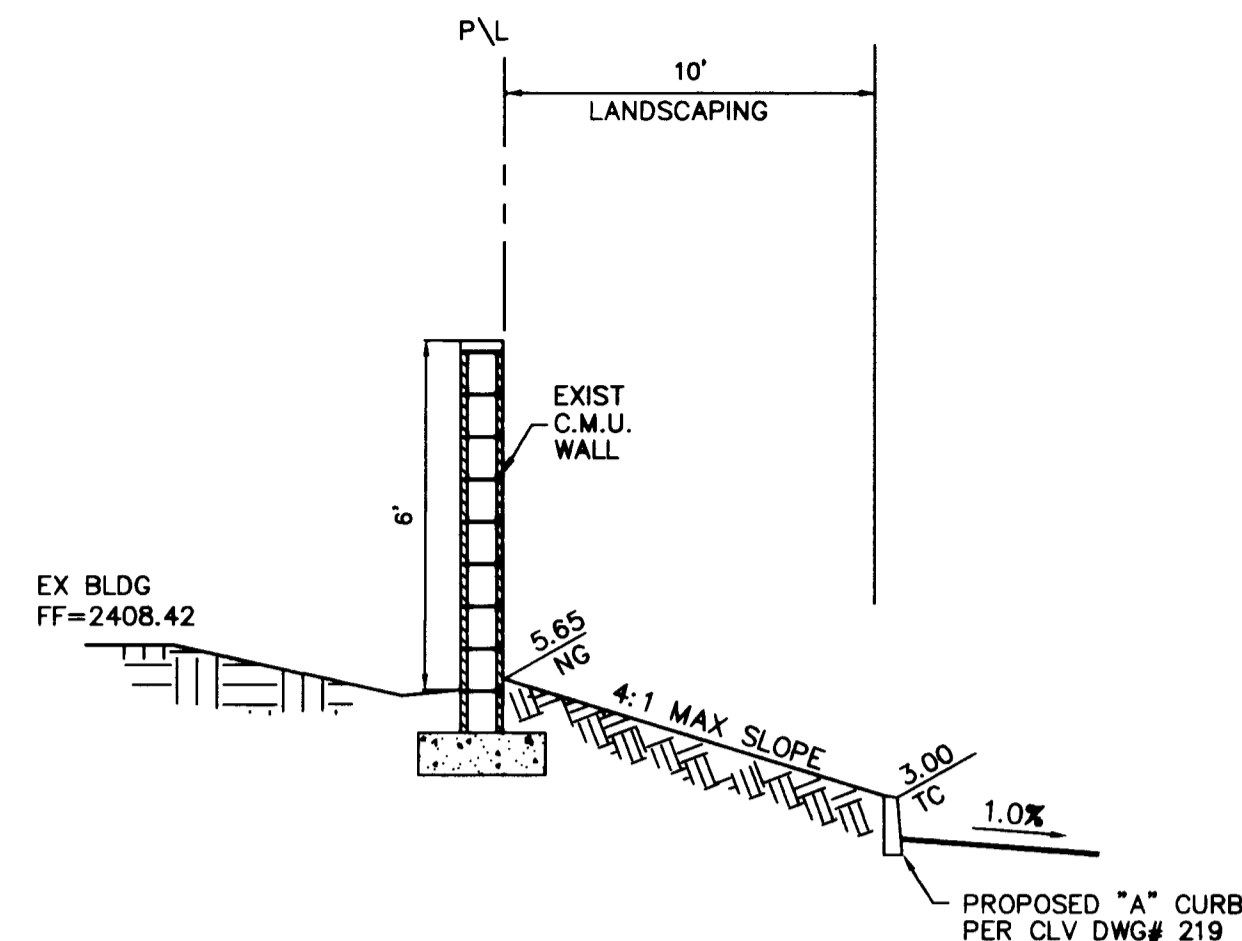
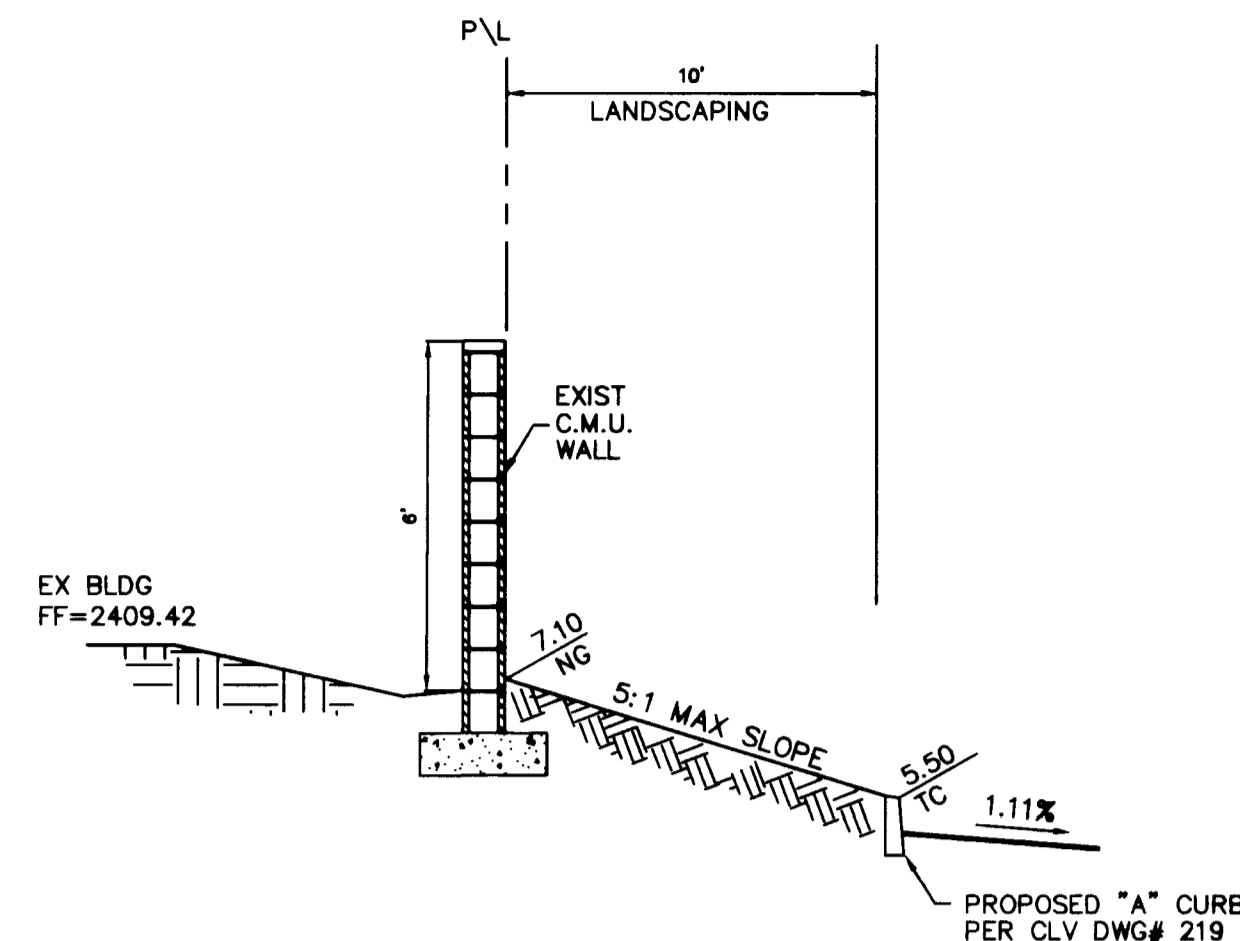


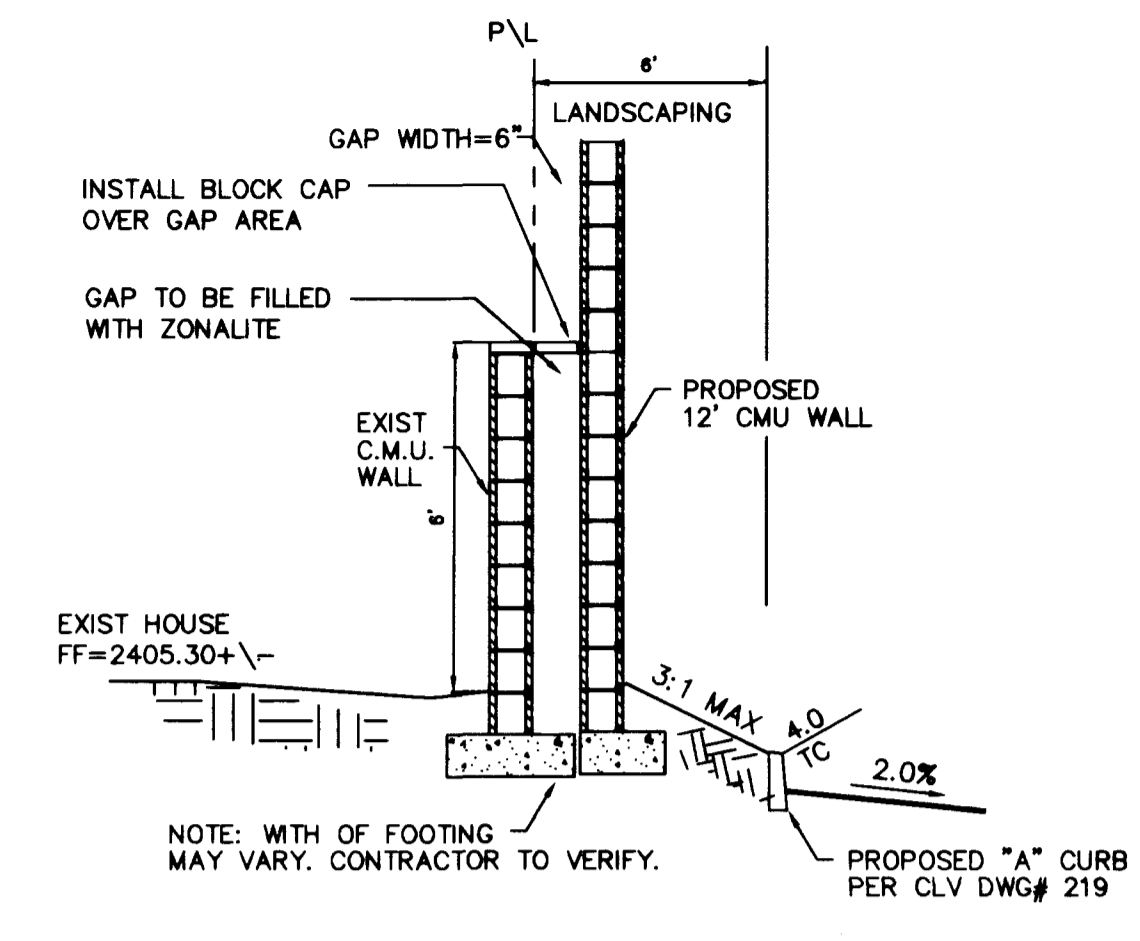
**A CROSS SECTION**



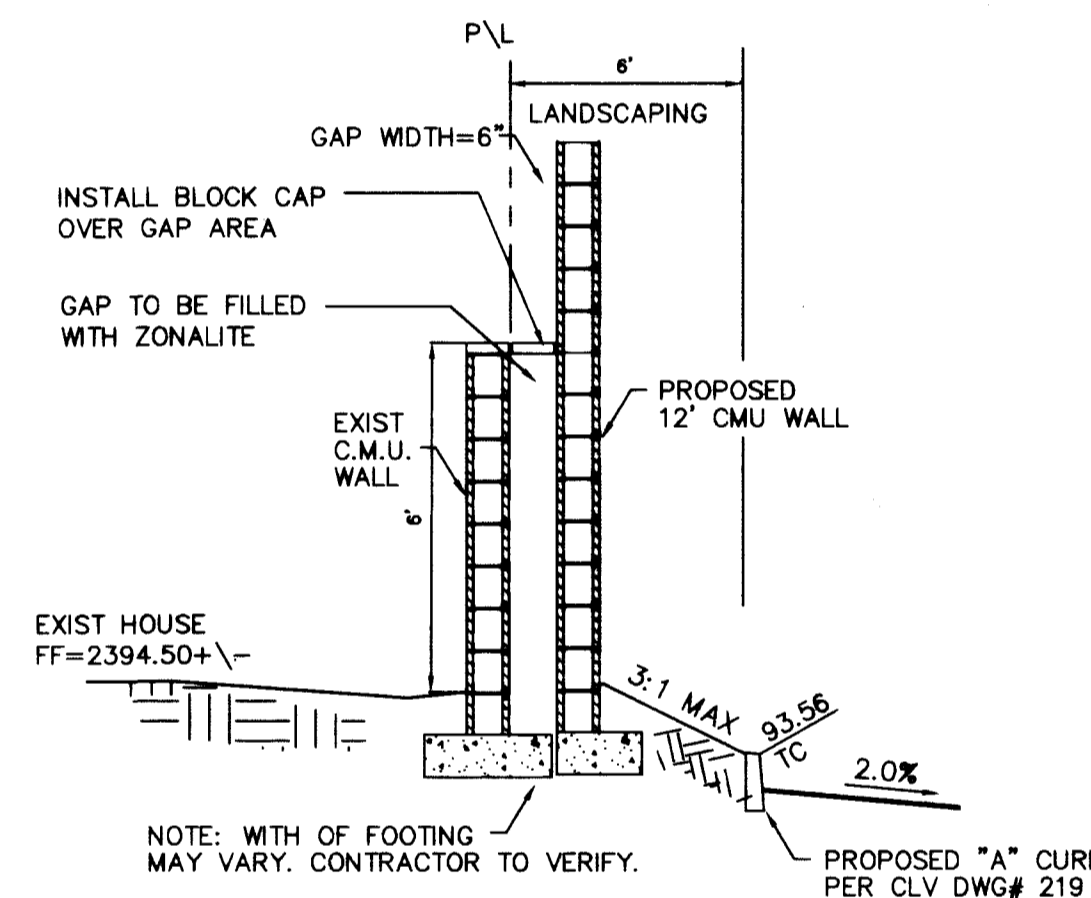
**B CROSS SECTION**



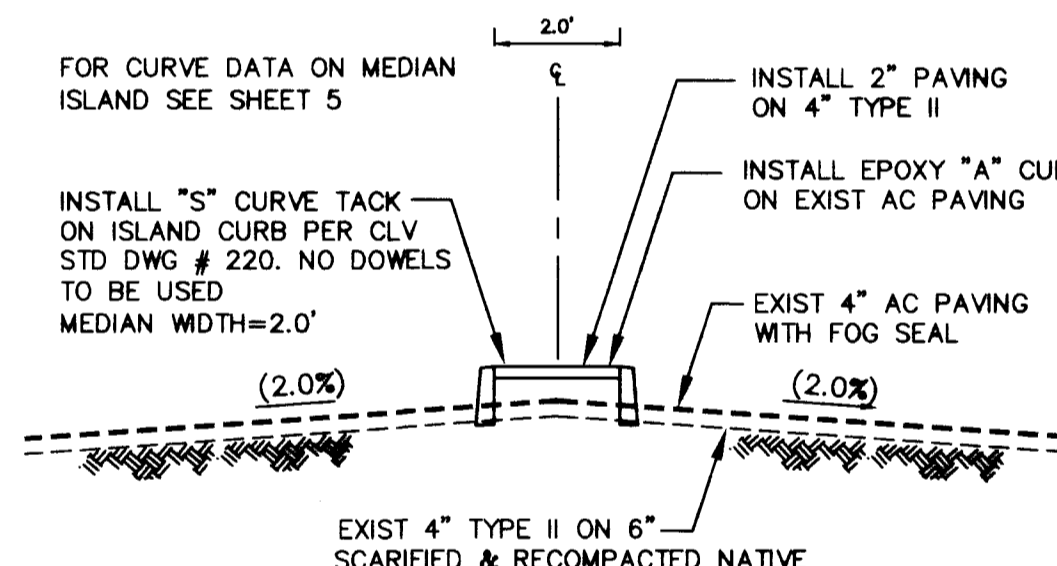
**C CROSS SECTION**



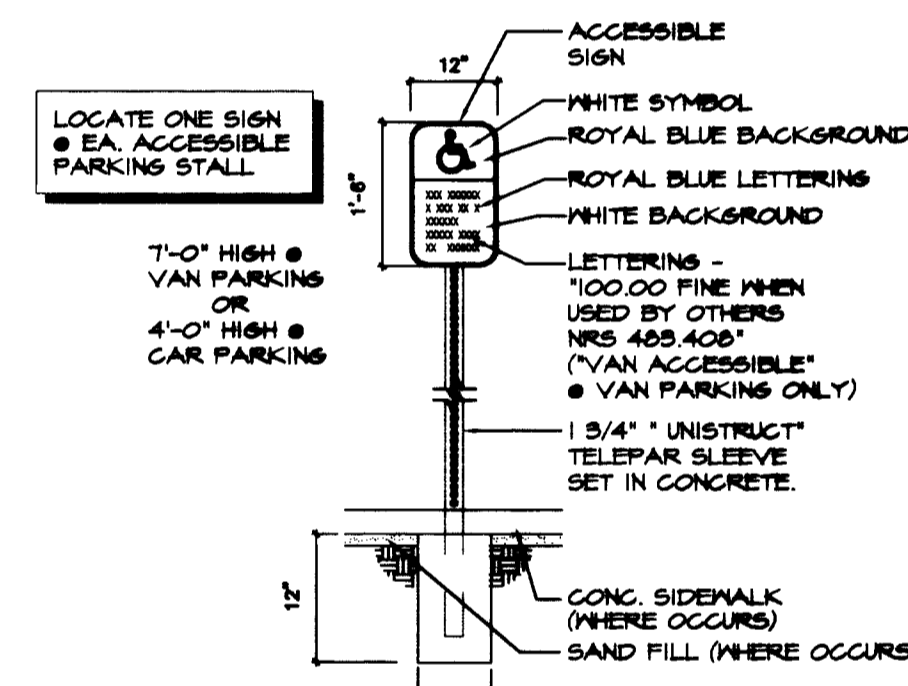
**D CROSS SECTION**



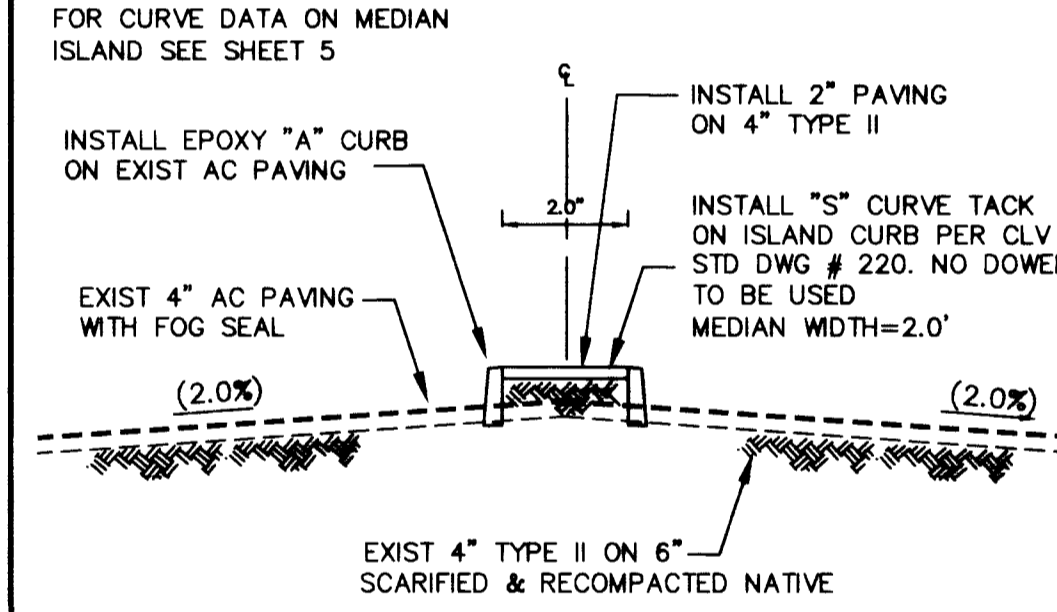
**E CROSS SECTION**



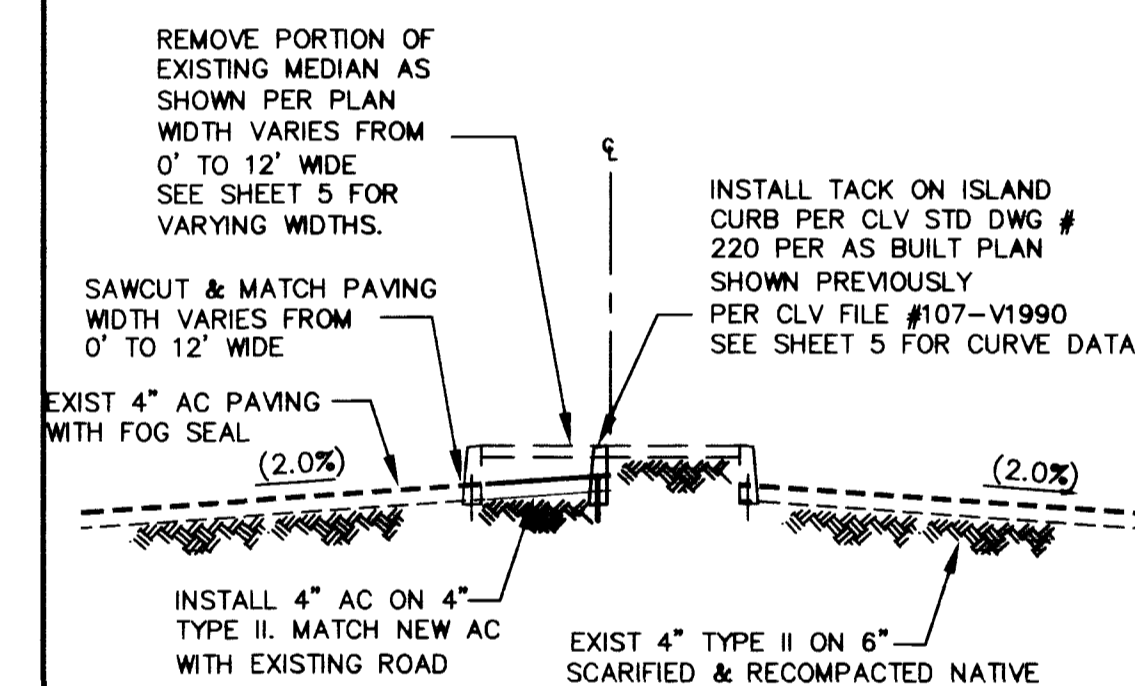
**H CROSS SECTION**



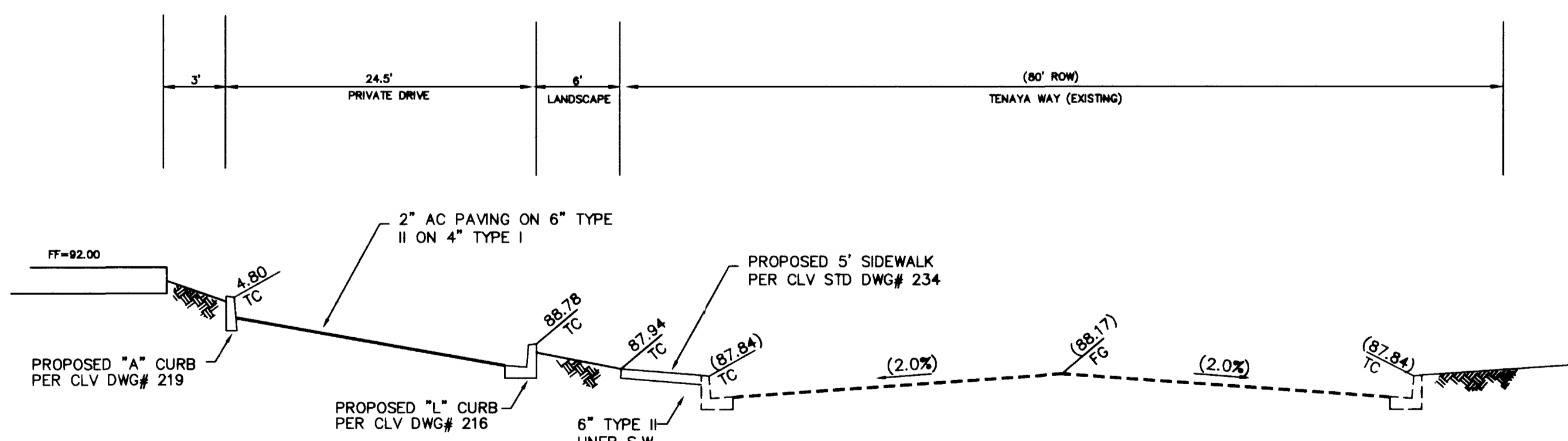
**I HANDICAP PARKING SIGN**



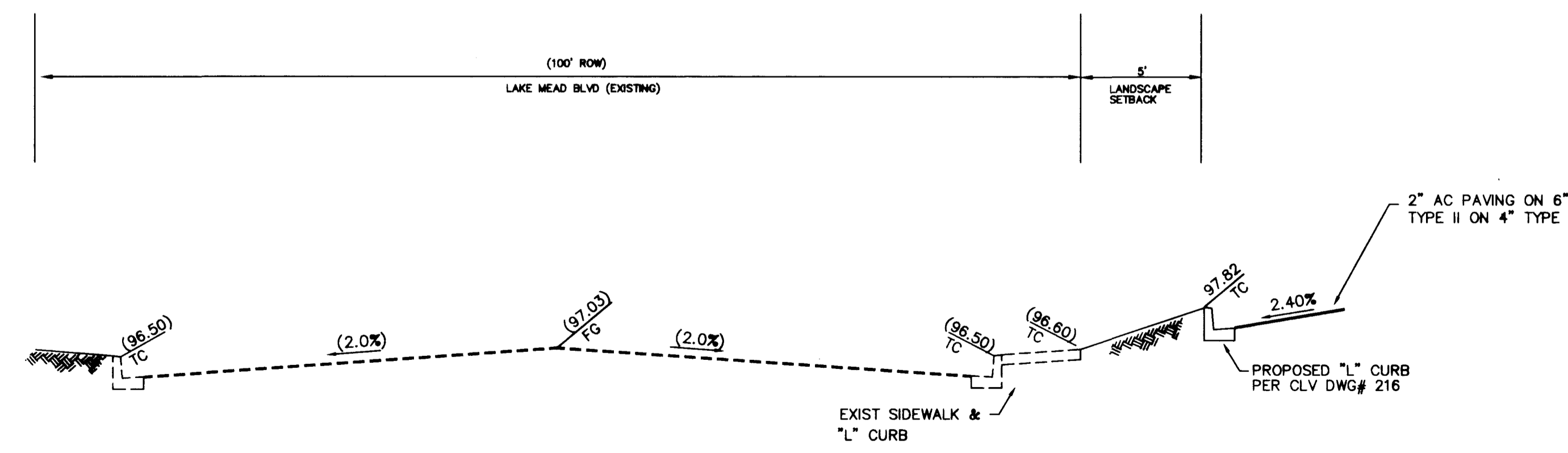
**J CROSS SECTION**



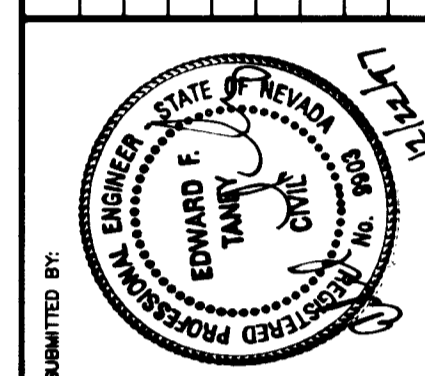
**K CROSS SECTION**



**F CROSS SECTION**



**G CROSS SECTION**



ALPHA & ENGINEERING COMPANY  
50 N. Jones Blvd., Las Vegas, NV 89107  
Telephone: (702) 977-1300

DETAIL SHEET  
LAKE MEAD PAVILION

JOB # 710506  
NAME S. CREVOISERAT  
DATE 28 SEPTEMBER 1997  
SCALE NOT TO SCALE

PAGE 4  
710506/DETAILS of 5



Ⓐ CROSS SECTION



Ⓑ CROSS SECTION



Ⓒ CROSS SECTION



Ⓓ CROSS SECTION



Ⓔ CROSS SECTION



Ⓕ CROSS SECTION



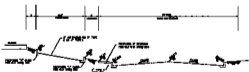
Ⓖ ELEVATION



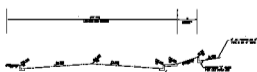
Ⓖ CROSS SECTION



Ⓖ CROSS SECTION



Ⓖ CROSS SECTION



Ⓖ CROSS SECTION



ALPHA  
ARCHITECT  
REGISTERED ARCHITECT  
STATE OF TEXAS

DETAIL SHEET  
LAKE MEAD PAVILION

NO. 1  
NO. 2  
NO. 3  
NO. 4  
NO. 5

4  
10-1-1959

REPRODUCED BY THE ARCHITECT FROM ORIGINAL