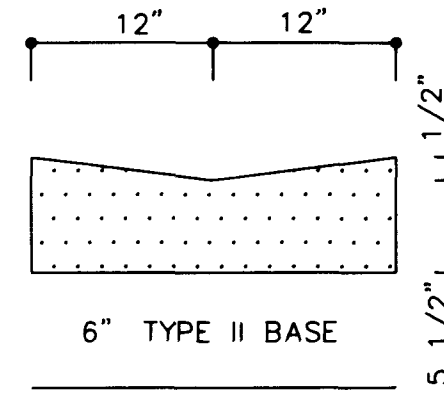


6" TYPE II BASE

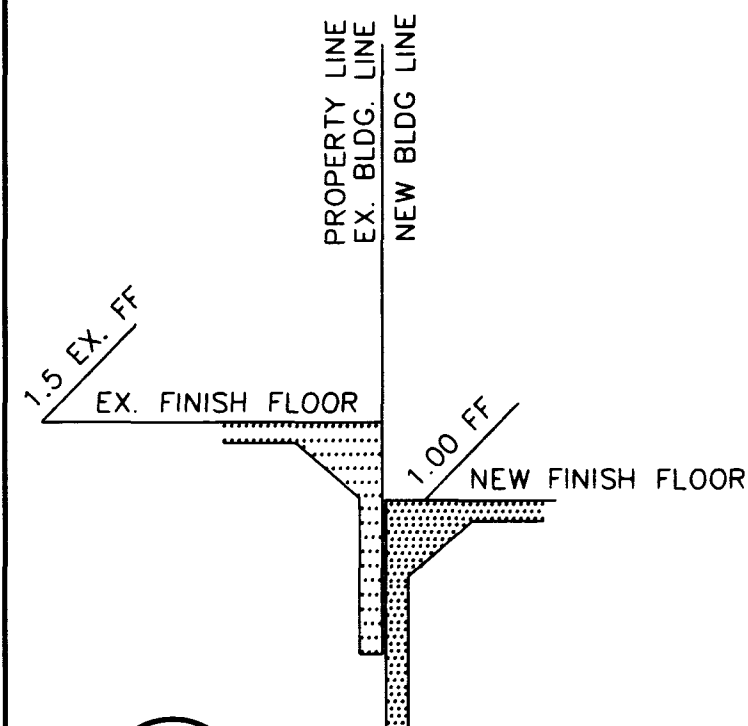
5



6" TYPE II BASE

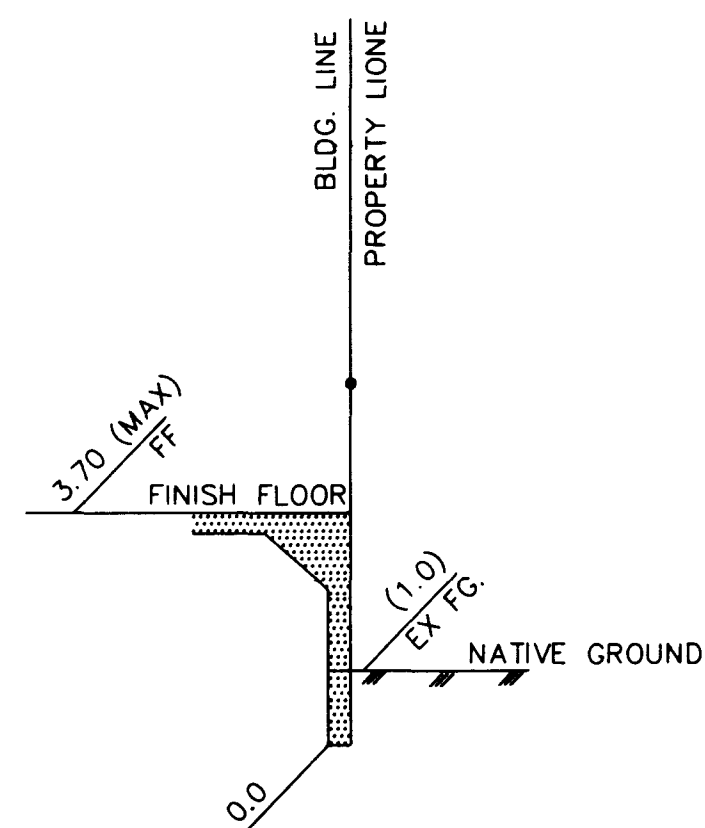
24" VALLEY GUTTER

9



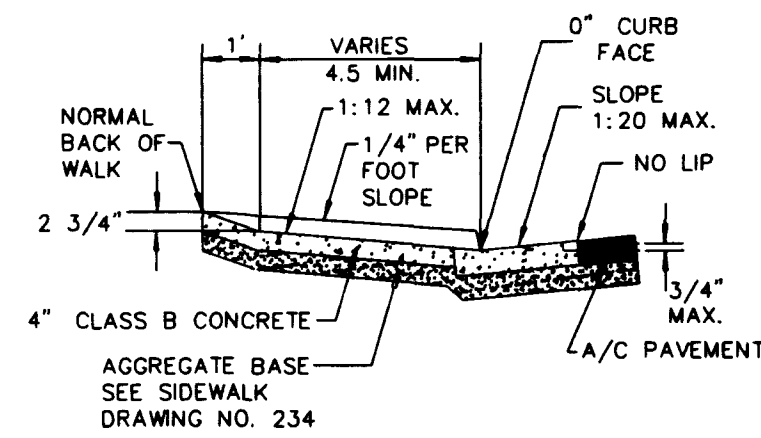
SECTION

13

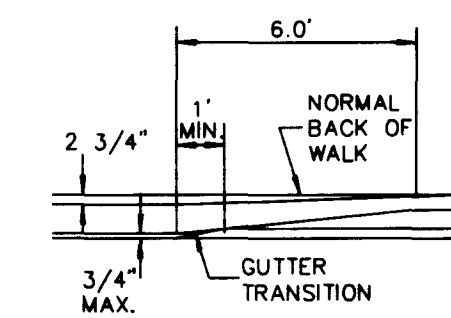


SECTION

11



SECTION



PROFILE

SIDE WALK RAMP

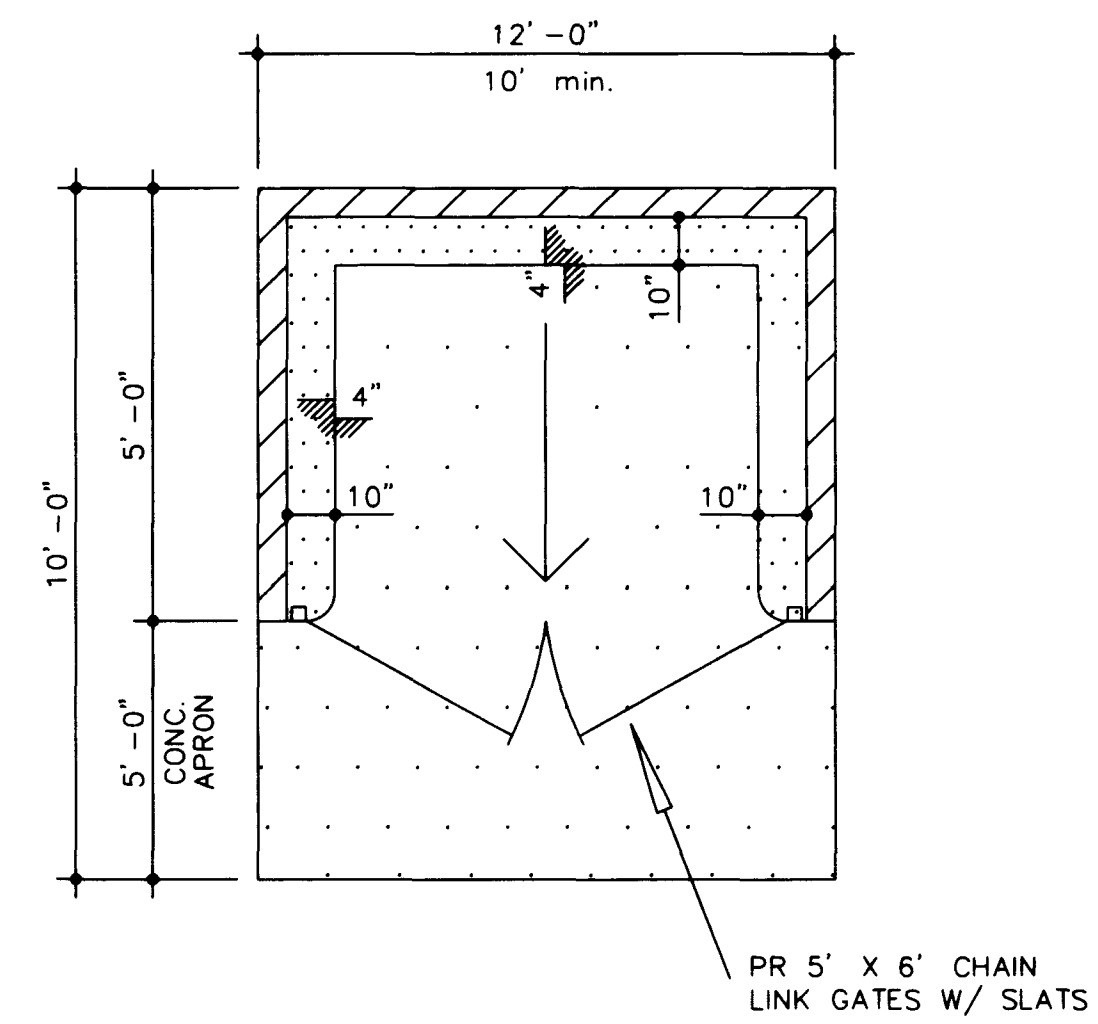
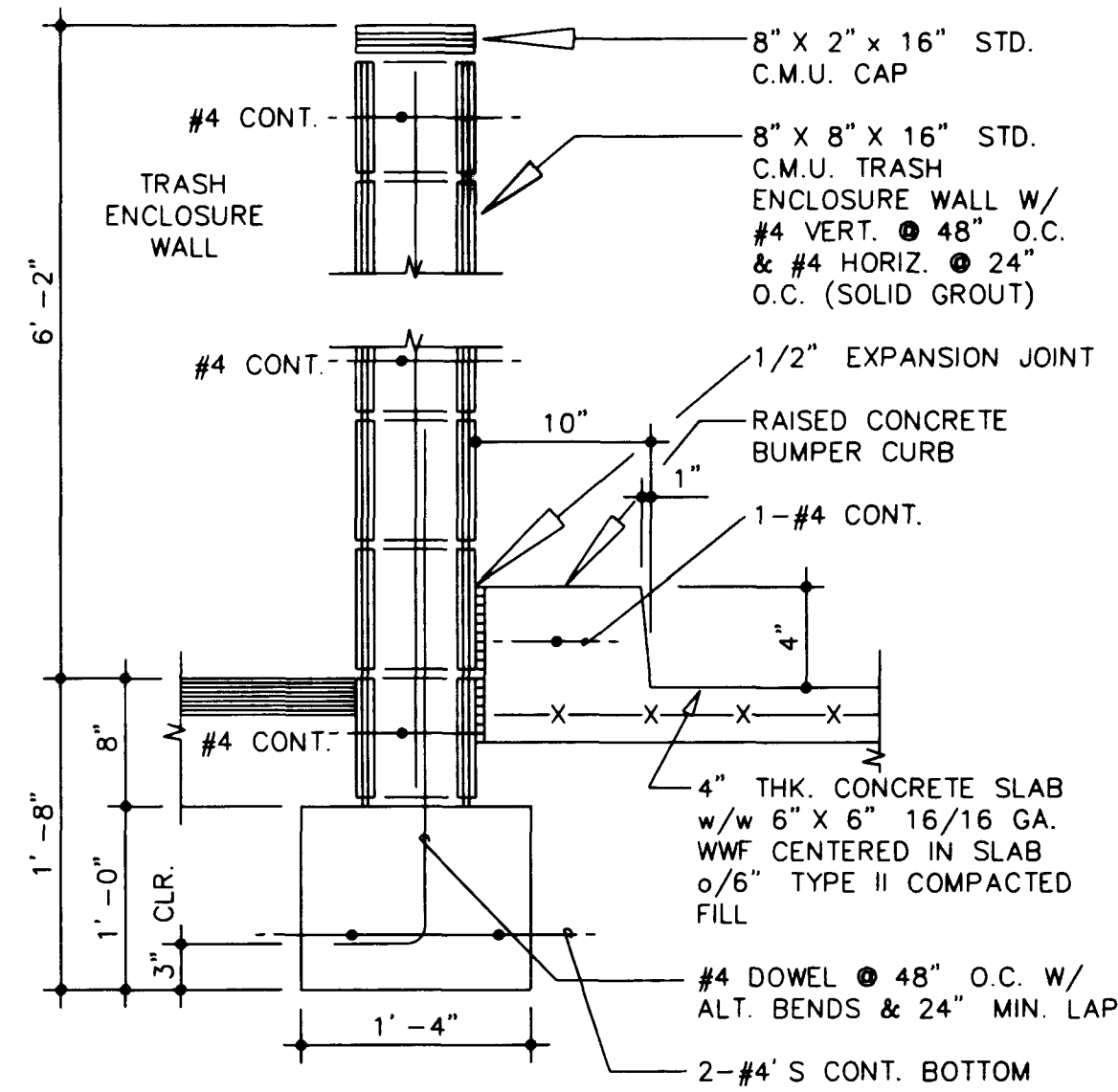
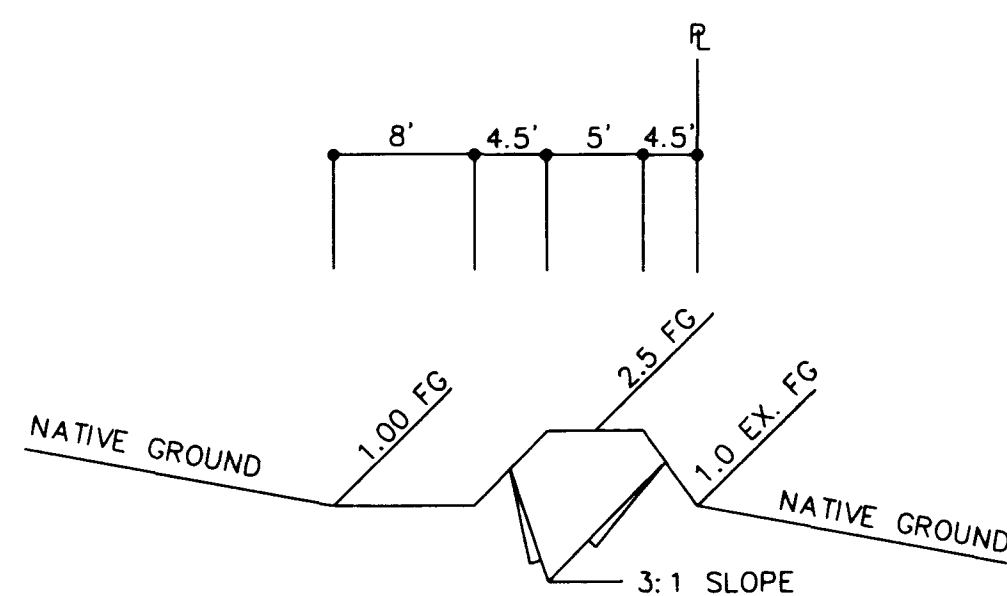
2

NOTES:

1. RAMPS SHALL BE CONSTRUCTED WITH A ROUGH BROOM FINISH TRANSVERSE TO THE SLOPE OF THE RAMP.
2. WHEN CONSTRUCTING RAMP WHERE CURB & GUTTER EXISTS, COMPLETELY REMOVE INTERFERING PORTIONS OF EXISTING CURB & GUTTER.
3. AN OPTIONAL DETECTABLE WARNING CONSISTING OF RAISED TRUNCATED DOMES WITH A DIAMETER OF NOMINAL 0.9 IN., A HEIGHT OF NOMINAL 0.2 IN. AND A CENTER-TO-CENTER SPACING OF NOMINAL 2.35 IN. AND CONTRASTING VISUALLY WITH ADJOINING SURFACES MAY BE PLACED ON RAMP EXTENDING THE FULL WIDTH AND DEPTH OF THE RAMP.

SECTION

15



TRASH ENCLOSURE PLAN

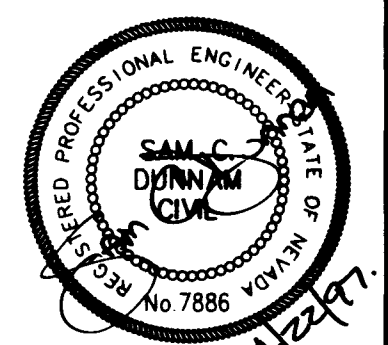
19

NO.	DATE	REVISION

DUNNAM CIVIL ENGINEERS
 3305 SPRING MOUNTAIN ROAD
 SUITE B2
 LAS VEGAS, NV 89102
 (702) 367-0688
 (702) 367-6146 FAX

LAKE MEAD/TENAYA MINI STORAGE ADDITION
 DETAILS

5



BRES 23D
 1" = 1"

