

CITY OF LAS VEGAS SEWER NOTES

- ALL CONSTRUCTION AND MATERIALS SHALL BE IN ACCORDANCE WITH THE LATEST EDITION OF THE DESIGN & CONSTRUCTION STANDARDS FOR WASTEWATER COLLECTION SYSTEMS AND THE UNIFORM STANDARD SPECIFICATIONS FOR PUBLIC WORKS' CONSTRUCTION OFF-SITE IMPROVEMENTS, CLARK COUNTY AREA, NEVADA, AS AMENDED. IN ALL CASES, THESE STANDARDS SHALL SUPERSEDE THE UNIFORM STANDARD SPECIFICATIONS. IT WILL BE THE RESPONSIBILITY OF THE CONTRACTOR TO BE AWARE OF THE CONTENTS OF THE ABOVE SPECIFICATION BOOKS.
- IT SHALL BE THE CONTRACTOR'S RESPONSIBILITY TO PERFORM CONSTRUCTION AS PER PLANS. ANY ADDITIONS, DELETIONS, OR CHANGES SHALL FIRST MEET WITH THE APPROVAL OF THE CONTROLLING AGENCY.
- CHISEL "S" OR "G" IN CURBS WHERE SEWER OR GAS LATERALS PASS UNDER THE CURB.
- POLYVINYL (PVC) SEWER PIPE SHALL MEET ASTM D-3034 SDR 35 SPECIFICATIONS, INSTALLED WITH SAND BEDDING AND BACKFILL OF TYPE II GRAVEL.
- ALL MANHOLES IN PAVED STREETS 80' R/W AND LARGER, SHALL HAVE CONCRETE COLLARS.
- TEE SADDLES SHALL BE USED TO CONNECT SEWER LATERALS TO EXISTING MAIN LINES UP TO 12" DIA. SIZE. CONNECTIONS TO 15" OR LARGER MAINS SHALL REQUIRE SPECIAL PROCEDURES.
- A SEWER MAIN CROSSING OVER A WATER MAIN OR LESS THAN 18" UNDER A WATER MAIN, MUST BE REINFORCED CONCRETE ENCASED FOR A DISTANCE NOT LESS THAN TEN FEET (10') TO EACH SIDE OF THE CENTERLINE OF THE WATER MAIN.
- ALL CONTRACTORS INSTALLING SEWER MAINS THAT WILL BE UNDER THE JURISDICTION OF THE CONTROLLING AGENCY MUST BE CLASS "A" CONTRACTORS.
- THE CITY OF LAS VEGAS WILL NOT ACCEPT ANY SEWER MAINS WHICH HAVE A VERTICAL DEFLECTION OF MORE THAN ONE-TENTH (0.1) OF A FOOT FROM APPROVED CONSTRUCTION PLANS. SEWER MAINS FOUND TO EXCEED THIS TOLERANCE WILL HAVE TO BE REPAIRED OR REMOVED AND REPLACED TO THE SATISFACTION OF THE CITY ENGINEER PRIOR TO ACCEPTANCE BY THE CITY.

REVISED OCT. 2, 1991

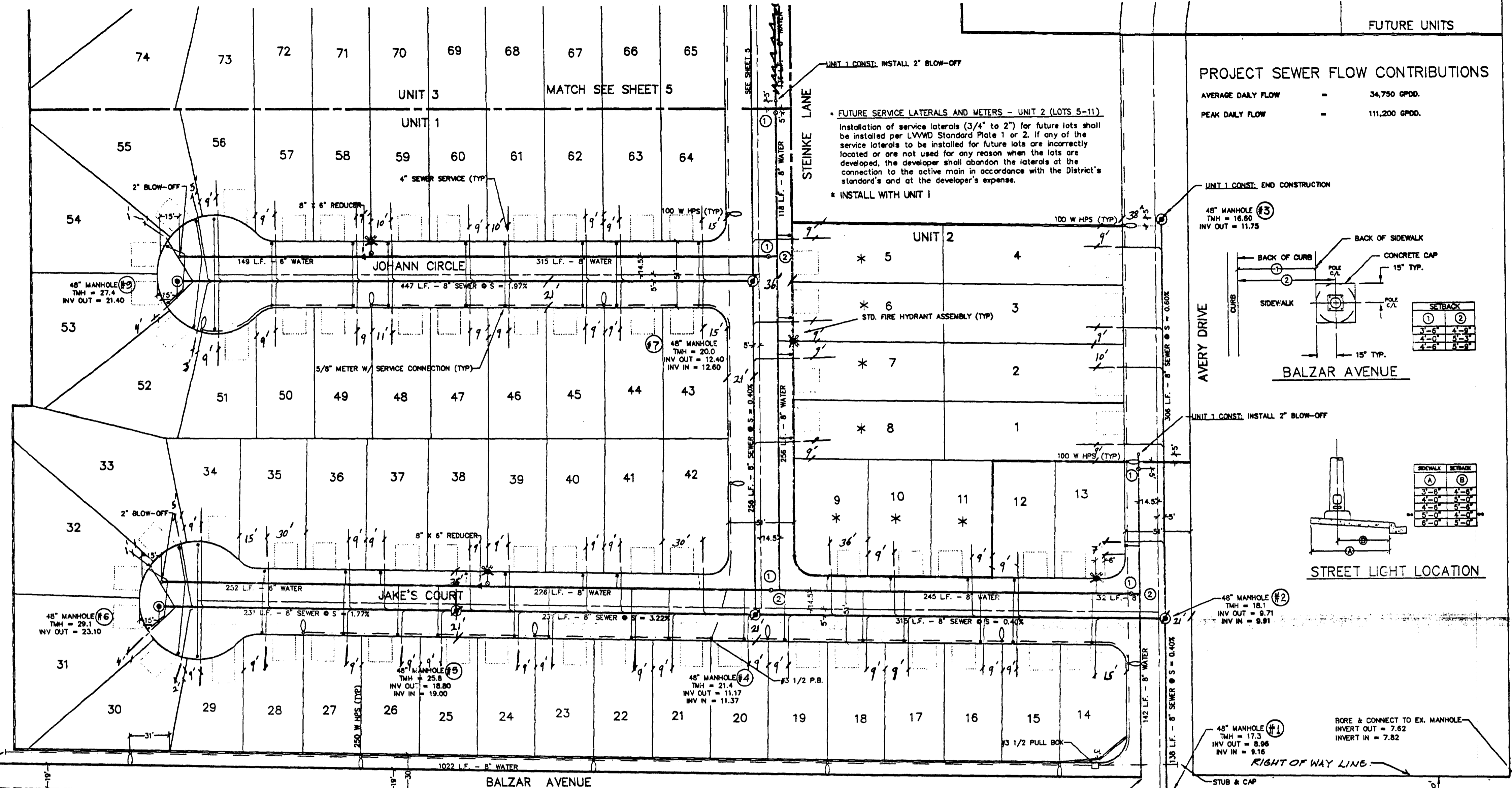
WATERLINE CROSSING NOTE

THE FOLLOWING REQUIREMENTS MUST BE MET IN THE EVENT OF A WATER-SEWER/STORM LINE CROSSING:

WHEN PROTECTION OF THE WATERLINE IS CONSIDERED, THE MINIMUM VERTICAL DISTANCE OF 18 INCHES MUST BE MAINTAINED WHEN THE WATERLINE IS INSTALLED OVER THE SEWER/STORM LINE. IF THIS DISTANCE CANNOT BE MAINTAINED BECAUSE OF PHYSICAL OBSTRUCTIONS OR THE WATERLINE MUST BE PLACED UNDER THE SEWER/STORM LINE, THE SEWER/STORM LINE MUST BE CONSTRUCTED WITH ONE OF THE FOLLOWING:

- EXTRA HEAVY CAST IRON OR DUCTILE IRON PIPE.
- WATER SUPPLY QUALITY MATERIAL.
- ENCASEMENT WITH 4 INCHES MINIMUM CONCRETE SLEEVING OR WITH WATER QUALITY PIPE.

EACH OF THESE PROVISIONS MUST BE EXTENDED FOR 10 FEET ON EITHER SIDE OF THE WATERLINE AT 90° TO THE CROSSING.

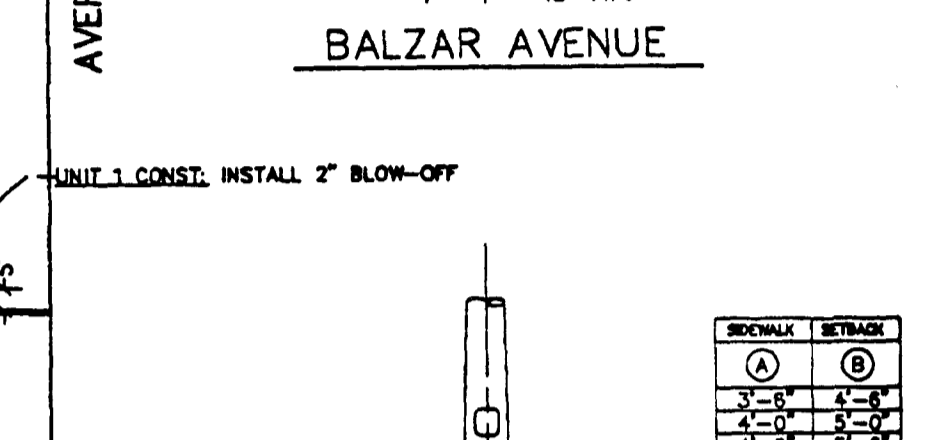
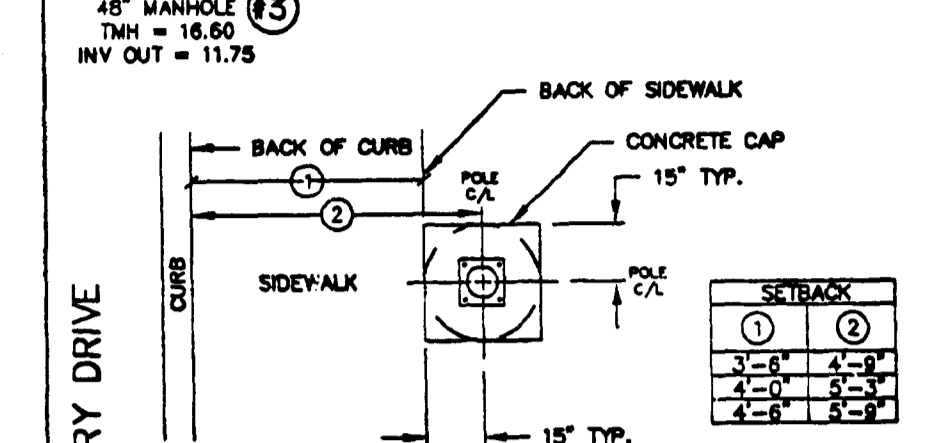


PROJECT SEWER FLOW CONTRIBUTIONS

AVERAGE DAILY FLOW	=	34,750 GPOD.
PEAK DAILY FLOW	=	111,200 GPOD.

FUTURE SERVICE LATERALS AND METERS - UNIT 2 (LOTS 5-11)
 Installation of service laterals (3/4" to 2") for future lots shall be installed per LVVWD Standard Plate 1 or 2. If any of the service laterals to be installed for future lots are incorrectly located or are not used for any reason when the lots are developed, the developer shall abandon the laterals at the connection to the active main in accordance with the District's standards and at the developer's expense.

INSTALL WITH UNIT 1



QUANTITIES

WATER QUANTITIES		STREET LIGHT QUANTITIES	
6" WATER	307 LF.	100 W.H.P.S. W/ POLE	17 EA.
8" WATER	2737 LF.	1 1/4" CONDUIT W/ CABLE	2970 LF.
12" WATER	532 EA.		
8" GATE VALVE	8 EA.	SEWER QUANTITIES	
12" GATE VALVE	1 EA.	6" SEWER	2209 LF.
12" X 8" TEE	1 EA.	48" MANHOLE	8 EA.
8" TEE	3 EA.	SEWER SERVICE	84 EA.
STANDARD FIRE HYDRANT ASSEMBLY	4 EA.		
5/8" WATER METER W/ 3/4" COPPER SERVICE (LOT SIZE 40 X 105)	60 EA.		
2" BLOWOFF	4 EA.		

PROJECT NAME: JAKE'S RANCH

UNIT # 1 - P 4
 This project water plan complies with the Las Vegas Valley Water District's technical requirements. However, this water plan is NOT APPROVED FOR CONSTRUCTION AT THIS TIME AND THIS SIGNATURE DOES NOT PROVIDE OR IMPLY A WATER GUARANTEE.

[Signature]
 DATE: 11/08/94
 CITY OF LAS VEGAS STREET LIGHT NOTES

ALL STREET LIGHT INSTALLATIONS SHALL CONFORM TO THE STANDARD DETAILS AND SPECIFICATIONS OF THE CITY OF LAS VEGAS, AND SHALL ALSO CONFORM TO THE UNIFORM STANDARD SPECIFICATIONS FOR PUBLIC WORKS' CONSTRUCTION OF OFF-SITE IMPROVEMENTS, CLARK COUNTY AREA, LATEST EDITION, UNLESS OTHERWISE NOTED. REFER TO CLARK COUNTY STANDARD DRAWINGS.

ALL HAND HOLE COVERS MUST BE INSTALLED, POLE CAPS POURED, AND PULL BOX LIDS BOLTED DOWN PRIOR TO ENERGIZING CIRCUIT. ALL WIRE MUST HAVE THW INSULATION. ALL STREET LIGHT LUMINAIRES MUST HAVE MAGNETIC REGULATED BALLASTS.

NOTE:
 This property may have static pressure in excess of 80 psi. The Uniform Plumbing Code requires that individual, on-site (private), pressure reducing valves be installed whenever the pressure exceeds 80 psi. PRVs are the developer's responsibility and will be inspected or included in the acceptance of LVVWD Facilities.

C.L.V. FIRE FLOW DATA

FIRE FLOW REQUIREMENT IS 1500 GALLONS PER MINUTE AT 20 POUNDS PER SQUARE INCH RESIDUAL BASED ON:

LARGEST SQUARE FOOTAGE: 2400

LARGEST AREA BETWEEN AREA SEPARATION WALLS: 2400 (AREA SEPARATION WALLS ARE SHOWN ON PLANS)

HEIGHT: TWO STORIES

TYPE OF CONSTRUCTION: V

EXPOSURES: 10 FEET OR MORE

SPRINKLER SYSTEM: NONE

OCCUPANCY: SINGLE FAMILY

ROOF CONSTRUCTION: CONCRETE TILES

CITY OF LAS VEGAS FIRE DEPT. NOTES

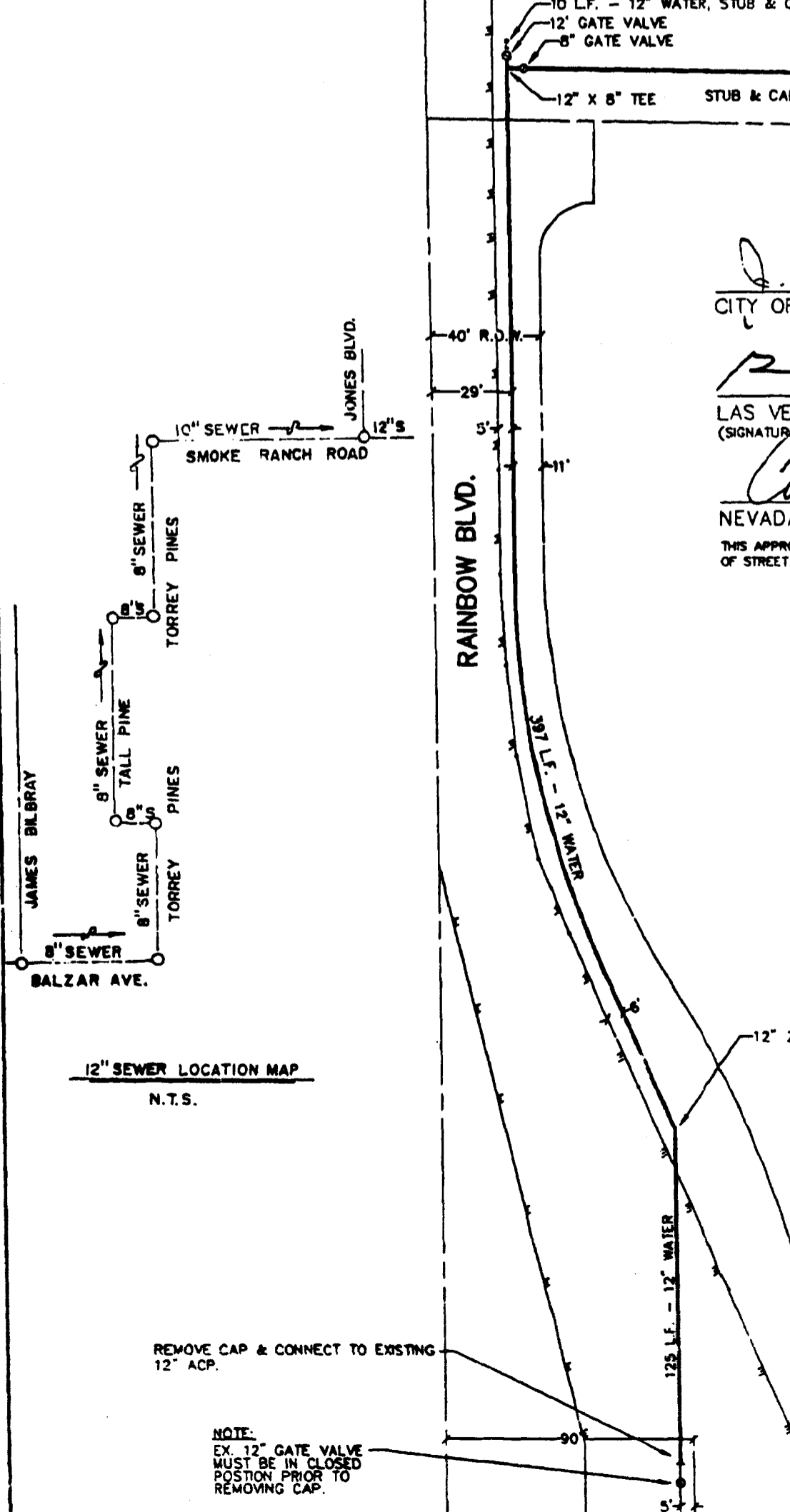
- All work shall be done in strict accordance with the City of Las Vegas Fire Department "Hydrant Specifications", "Hydrant Installation Specifications" and Ordinance #3677.
- Authorized hydrants for this project are:
 - Kennedy Guardian
 - Mueller A-423 Centurian
 - Clow Model 2545 Medallion
- On any new home or building installation, accessible fire hydrants shall be installed before combustible construction commences and said fire hydrants shall be in good working order with an adequate water supply.
- Contractor shall place a blue-reflective marker at centerline of street adjacent to fire hydrant as required in Ordinance #3677 to identify fire hydrant locations.
- Call the Las Vegas Building Department at 229-2071 for underground inspection, pressure and flush verification of all fire hydrants and fire lines before covering.
- Painting of the curbs and hydrant and any work necessary for protection of hydrants from physical damage per Ordinance #3677 shall be completed before approval by the City of Las Vegas Fire Department.
- A permit is required from the Fire Department for on-site water line and fire hydrant. The permit and contractor material and test certificate for underground piping form shall be obtained from the Fire Protection Engineer prior to any work beginning.
- A flow test must be witnessed by the Fire Department prior to occupancy for verification of required on-site water supply.
- All on-site fire main materials must be UL listed and A.W.W.A. approved.
- Fire hydrant spacing:
 - Residential - 500 feet unsprinklered, 600 feet sprinklered
 - Commercial, including multi-family - 300 feet unsprinklered, 400 feet sprinklered.
- No fire hydrant shall be located within the required radius of a cul-de-sac or within 20 feet of the perimeter of the radius of the cul-de-sac.
- No fire hydrant shall be located within 6 feet of any curb return, driveway, power pole, street light or any other obstruction.
- Not more than 2 hydrants can be out of service due to a single main break.
- The turning radius for any fire apparatus access road and/or fire lane, public or private shall be not less than 45 feet outside radius and 22 feet inside radius.
- A fire apparatus road shall be required when any portion of an exterior wall of the first story is located more than 150 feet from a fire department vehicle access. (See exceptions in UPC 88, Section 10.207).
- All dead end fire apparatus access roads and/or fire lanes public or private in excess of 150 feet in length shall be provided with an approved turnaround area. See Ordinance #3677.
- Electrically controlled access gates shall be provided with an approved emergency vehicle detector/receiver system. Said system shall be installed in accordance with the City of Las Vegas guidelines for Automatic Emergency Vehicle Access Gates.

DATE: 12/89
 DATE REVISED: 1/94

LAS VEGAS VALLEY WATER DIST. NOTES

- No work shall begin until the water plans have been released for construction by the LVVWD. Following water plan approval, 48 hour notice shall be given to the LVVWD Customer Service Department (258-7171) prior to the start of construction. Notice must be given by 2:00 pm, the business day prior to a LVVWD inspection.
 - All work shall conform to LVVWD Standard Plates, Drawings and Specifications, latest edition.
 - All work, except as modified by these plans or by note 2, shall be done in accordance with the most current draft or edition of the Uniform Standard Specifications for Public Works Construction Offsite Improvement, Clark County Area.
 - A single pipe material shall be used throughout the project unless otherwise approved by the LVVWD.
 - All service laterals two (2) inches in diameter and smaller shall be copper tubing with LVVWD approved service laterals.
 - All water meter boxes shall be located outside driveway areas.
 - All valves shall be located outside driveways, valley gutters and curb gutters.
 - The following requirements must be met in the event a water line and sanitary or storm sewer line cross:
 - A minimum eighteen (18) inch vertical separation (outside to outside) must be maintained when the water line is installed over the sanitary or storm sewer line. If the vertical separation cannot be maintained or the water line must be placed under the sanitary or storm sewer line, the sanitary or storm sewer line must be constructed with one of the following or, as shown on these plans:
 - Potable water supply quality material
 - Encasement with four (4) inch concrete (minimum)
 - Sleeving with potable water supply quality pipe.
- Each provision must extend along the sanitary or storm sewer, on either side of the main, a minimum 10 foot distance perpendicular to the water main exterior.
- Warning tape shall be required over all mains, all six (6) inch diameter and larger service laterals, and any service lateral not installed perpendicular to the main in accordance with Standard Plate No. 27.
 - All water facilities shall be filled, disinfected, pressure tested, flushed, filled and an acceptable water sample obtained, prior to connection to the LVVWD's distribution system.
 - The contractor must obtain all meters two (2) inches and smaller from LVVWD central stores. Telephone 258-3152 forty-eight (48) hours prior to pickup.
 - Construction may interrupt service, with LVVWD approval and proper notification, between the hours of 10 PM and 6 AM, Sunday through Thursday. Circumstances may require temporary service leads be installed, without LVVWD reimbursement. Any temporary service leads must have prior LVVWD approval.
 - All water facility construction materials used must be listed on the LVVWD's Approved Materials and Manufacturers Listing for New Facilities, latest revision, or specifically approved on these plans.

REVISED JUNE 20, 1994



APPROVED BY: _____ DATE: _____

REVISION

SEAL: PROFESSIONAL ENGINEER - STATE OF NEVADA, CIVIL ENGINEER

ALPHA & ENGINEERING COMPANY

1800 S. LAS VEGAS BLVD., SUITE 100, LAS VEGAS, NV 89102

MASTER UTILITY PLAN

JAKE'S RANCH As built

UNIT 1

FILE

JOB # 14-75-02

NAME VERT/MA

DATE 8-4-94

SCALE 1" = 50'

PAGE 4

781EUT

NOTICE!

EXISTING UTILITIES ARE SHOWN ON PLANS FOR THE CONVEYANCE OF THE CONTRACTOR ONLY. THE CONTRACTOR IS RESPONSIBLE FOR THE PROTECTION OF ALL UTILITIES. THE ENGINEER BEARS NO RESPONSIBILITY FOR UTILITIES NOT SHOWN OR SHOWN INCORRECTLY.

Call Djs BEFORE YOU DIG

1-800-227-2600 (NEVADA SERVICE ONLY)

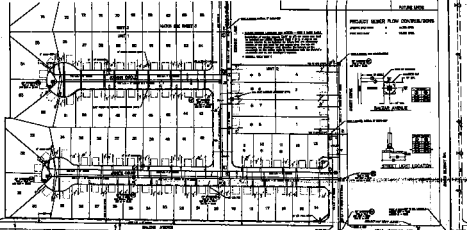
NOTE: CONTRACTOR TO VERIFY DEPTH OF EXISTING SEWER STUB BEFORE COMMENCING CONSTRUCTION. ANY DISCREPANCY IN PLAN AND ACTUAL ELEVATION IS TO BE BROUGHT TO THE ENGINEERS ATTENTION IN WRITING IMMEDIATELY!

CITY OF LAS VEGAS STREET NOTES

1. ALL STREETS SHALL BE CONFORMED TO THE CITY OF LAS VEGAS STREET DESIGN SPECIFICATIONS.
2. THE CITY OF LAS VEGAS SHALL BE RESPONSIBLE FOR THE INSTALLATION OF ALL STREETS.
3. THE CITY OF LAS VEGAS SHALL BE RESPONSIBLE FOR THE MAINTENANCE OF ALL STREETS.
4. THE CITY OF LAS VEGAS SHALL BE RESPONSIBLE FOR THE REPAIR OF ALL STREETS.
5. THE CITY OF LAS VEGAS SHALL BE RESPONSIBLE FOR THE REPLACEMENT OF ALL STREETS.
6. THE CITY OF LAS VEGAS SHALL BE RESPONSIBLE FOR THE REMOVAL OF ALL STREETS.
7. THE CITY OF LAS VEGAS SHALL BE RESPONSIBLE FOR THE CONSTRUCTION OF ALL STREETS.
8. THE CITY OF LAS VEGAS SHALL BE RESPONSIBLE FOR THE OPERATION OF ALL STREETS.
9. THE CITY OF LAS VEGAS SHALL BE RESPONSIBLE FOR THE MANAGEMENT OF ALL STREETS.
10. THE CITY OF LAS VEGAS SHALL BE RESPONSIBLE FOR THE PROTECTION OF ALL STREETS.

GENERAL NOTES

1. ALL UTILITIES SHALL BE INSTALLED IN ACCORDANCE WITH THE CITY OF LAS VEGAS UTILITIES SPECIFICATIONS.
2. ALL UTILITIES SHALL BE INSTALLED IN ACCORDANCE WITH THE CITY OF LAS VEGAS UTILITIES SPECIFICATIONS.
3. ALL UTILITIES SHALL BE INSTALLED IN ACCORDANCE WITH THE CITY OF LAS VEGAS UTILITIES SPECIFICATIONS.
4. ALL UTILITIES SHALL BE INSTALLED IN ACCORDANCE WITH THE CITY OF LAS VEGAS UTILITIES SPECIFICATIONS.
5. ALL UTILITIES SHALL BE INSTALLED IN ACCORDANCE WITH THE CITY OF LAS VEGAS UTILITIES SPECIFICATIONS.
6. ALL UTILITIES SHALL BE INSTALLED IN ACCORDANCE WITH THE CITY OF LAS VEGAS UTILITIES SPECIFICATIONS.
7. ALL UTILITIES SHALL BE INSTALLED IN ACCORDANCE WITH THE CITY OF LAS VEGAS UTILITIES SPECIFICATIONS.
8. ALL UTILITIES SHALL BE INSTALLED IN ACCORDANCE WITH THE CITY OF LAS VEGAS UTILITIES SPECIFICATIONS.
9. ALL UTILITIES SHALL BE INSTALLED IN ACCORDANCE WITH THE CITY OF LAS VEGAS UTILITIES SPECIFICATIONS.
10. ALL UTILITIES SHALL BE INSTALLED IN ACCORDANCE WITH THE CITY OF LAS VEGAS UTILITIES SPECIFICATIONS.



QUANTITIES

BLOCK QUANTITIES		STREET LIGHT QUANTITIES	
1. 100' x 100'	1.00	1.00	1.00
2. 100' x 150'	1.50	1.50	1.50
3. 100' x 200'	2.00	2.00	2.00
4. 100' x 250'	2.50	2.50	2.50
5. 100' x 300'	3.00	3.00	3.00
6. 100' x 350'	3.50	3.50	3.50
7. 100' x 400'	4.00	4.00	4.00
8. 100' x 450'	4.50	4.50	4.50
9. 100' x 500'	5.00	5.00	5.00
10. 100' x 550'	5.50	5.50	5.50
11. 100' x 600'	6.00	6.00	6.00
12. 100' x 650'	6.50	6.50	6.50
13. 100' x 700'	7.00	7.00	7.00
14. 100' x 750'	7.50	7.50	7.50
15. 100' x 800'	8.00	8.00	8.00
16. 100' x 850'	8.50	8.50	8.50
17. 100' x 900'	9.00	9.00	9.00
18. 100' x 950'	9.50	9.50	9.50
19. 100' x 1000'	10.00	10.00	10.00

Handwritten notes and signatures:
 J. J. [Signature]
 C. J. [Signature]
 [Signature]

CITY OF LAS VEGAS STREET LIGHT NOTES

1. ALL STREET LIGHTS SHALL BE INSTALLED IN ACCORDANCE WITH THE CITY OF LAS VEGAS STREET LIGHT SPECIFICATIONS.
2. ALL STREET LIGHTS SHALL BE INSTALLED IN ACCORDANCE WITH THE CITY OF LAS VEGAS STREET LIGHT SPECIFICATIONS.
3. ALL STREET LIGHTS SHALL BE INSTALLED IN ACCORDANCE WITH THE CITY OF LAS VEGAS STREET LIGHT SPECIFICATIONS.
4. ALL STREET LIGHTS SHALL BE INSTALLED IN ACCORDANCE WITH THE CITY OF LAS VEGAS STREET LIGHT SPECIFICATIONS.
5. ALL STREET LIGHTS SHALL BE INSTALLED IN ACCORDANCE WITH THE CITY OF LAS VEGAS STREET LIGHT SPECIFICATIONS.
6. ALL STREET LIGHTS SHALL BE INSTALLED IN ACCORDANCE WITH THE CITY OF LAS VEGAS STREET LIGHT SPECIFICATIONS.
7. ALL STREET LIGHTS SHALL BE INSTALLED IN ACCORDANCE WITH THE CITY OF LAS VEGAS STREET LIGHT SPECIFICATIONS.
8. ALL STREET LIGHTS SHALL BE INSTALLED IN ACCORDANCE WITH THE CITY OF LAS VEGAS STREET LIGHT SPECIFICATIONS.
9. ALL STREET LIGHTS SHALL BE INSTALLED IN ACCORDANCE WITH THE CITY OF LAS VEGAS STREET LIGHT SPECIFICATIONS.
10. ALL STREET LIGHTS SHALL BE INSTALLED IN ACCORDANCE WITH THE CITY OF LAS VEGAS STREET LIGHT SPECIFICATIONS.

- CITY OF LAS VEGAS FIRE NOTE**
1. ALL FIRE FIGHTING EQUIPMENT SHALL BE INSTALLED IN ACCORDANCE WITH THE CITY OF LAS VEGAS FIRE SPECIFICATIONS.
 2. ALL FIRE FIGHTING EQUIPMENT SHALL BE INSTALLED IN ACCORDANCE WITH THE CITY OF LAS VEGAS FIRE SPECIFICATIONS.
 3. ALL FIRE FIGHTING EQUIPMENT SHALL BE INSTALLED IN ACCORDANCE WITH THE CITY OF LAS VEGAS FIRE SPECIFICATIONS.
 4. ALL FIRE FIGHTING EQUIPMENT SHALL BE INSTALLED IN ACCORDANCE WITH THE CITY OF LAS VEGAS FIRE SPECIFICATIONS.
 5. ALL FIRE FIGHTING EQUIPMENT SHALL BE INSTALLED IN ACCORDANCE WITH THE CITY OF LAS VEGAS FIRE SPECIFICATIONS.
 6. ALL FIRE FIGHTING EQUIPMENT SHALL BE INSTALLED IN ACCORDANCE WITH THE CITY OF LAS VEGAS FIRE SPECIFICATIONS.
 7. ALL FIRE FIGHTING EQUIPMENT SHALL BE INSTALLED IN ACCORDANCE WITH THE CITY OF LAS VEGAS FIRE SPECIFICATIONS.
 8. ALL FIRE FIGHTING EQUIPMENT SHALL BE INSTALLED IN ACCORDANCE WITH THE CITY OF LAS VEGAS FIRE SPECIFICATIONS.
 9. ALL FIRE FIGHTING EQUIPMENT SHALL BE INSTALLED IN ACCORDANCE WITH THE CITY OF LAS VEGAS FIRE SPECIFICATIONS.
 10. ALL FIRE FIGHTING EQUIPMENT SHALL BE INSTALLED IN ACCORDANCE WITH THE CITY OF LAS VEGAS FIRE SPECIFICATIONS.

LAS VEGAS VALLEY WATER DIST. NOTES

1. ALL WATER LINES SHALL BE INSTALLED IN ACCORDANCE WITH THE LAS VEGAS VALLEY WATER DIST. SPECIFICATIONS.
2. ALL WATER LINES SHALL BE INSTALLED IN ACCORDANCE WITH THE LAS VEGAS VALLEY WATER DIST. SPECIFICATIONS.
3. ALL WATER LINES SHALL BE INSTALLED IN ACCORDANCE WITH THE LAS VEGAS VALLEY WATER DIST. SPECIFICATIONS.
4. ALL WATER LINES SHALL BE INSTALLED IN ACCORDANCE WITH THE LAS VEGAS VALLEY WATER DIST. SPECIFICATIONS.
5. ALL WATER LINES SHALL BE INSTALLED IN ACCORDANCE WITH THE LAS VEGAS VALLEY WATER DIST. SPECIFICATIONS.
6. ALL WATER LINES SHALL BE INSTALLED IN ACCORDANCE WITH THE LAS VEGAS VALLEY WATER DIST. SPECIFICATIONS.
7. ALL WATER LINES SHALL BE INSTALLED IN ACCORDANCE WITH THE LAS VEGAS VALLEY WATER DIST. SPECIFICATIONS.
8. ALL WATER LINES SHALL BE INSTALLED IN ACCORDANCE WITH THE LAS VEGAS VALLEY WATER DIST. SPECIFICATIONS.
9. ALL WATER LINES SHALL BE INSTALLED IN ACCORDANCE WITH THE LAS VEGAS VALLEY WATER DIST. SPECIFICATIONS.
10. ALL WATER LINES SHALL BE INSTALLED IN ACCORDANCE WITH THE LAS VEGAS VALLEY WATER DIST. SPECIFICATIONS.

EL.V. FIRE FLOW DATA

1. ALL FIRE FLOW DATA SHALL BE INSTALLED IN ACCORDANCE WITH THE CITY OF LAS VEGAS FIRE FLOW DATA SPECIFICATIONS.

2. ALL FIRE FLOW DATA SHALL BE INSTALLED IN ACCORDANCE WITH THE CITY OF LAS VEGAS FIRE FLOW DATA SPECIFICATIONS.

3. ALL FIRE FLOW DATA SHALL BE INSTALLED IN ACCORDANCE WITH THE CITY OF LAS VEGAS FIRE FLOW DATA SPECIFICATIONS.

4. ALL FIRE FLOW DATA SHALL BE INSTALLED IN ACCORDANCE WITH THE CITY OF LAS VEGAS FIRE FLOW DATA SPECIFICATIONS.

5. ALL FIRE FLOW DATA SHALL BE INSTALLED IN ACCORDANCE WITH THE CITY OF LAS VEGAS FIRE FLOW DATA SPECIFICATIONS.

6. ALL FIRE FLOW DATA SHALL BE INSTALLED IN ACCORDANCE WITH THE CITY OF LAS VEGAS FIRE FLOW DATA SPECIFICATIONS.

7. ALL FIRE FLOW DATA SHALL BE INSTALLED IN ACCORDANCE WITH THE CITY OF LAS VEGAS FIRE FLOW DATA SPECIFICATIONS.

8. ALL FIRE FLOW DATA SHALL BE INSTALLED IN ACCORDANCE WITH THE CITY OF LAS VEGAS FIRE FLOW DATA SPECIFICATIONS.

9. ALL FIRE FLOW DATA SHALL BE INSTALLED IN ACCORDANCE WITH THE CITY OF LAS VEGAS FIRE FLOW DATA SPECIFICATIONS.

10. ALL FIRE FLOW DATA SHALL BE INSTALLED IN ACCORDANCE WITH THE CITY OF LAS VEGAS FIRE FLOW DATA SPECIFICATIONS.



ALPHEA
 [Signature]
 ENGINEER
 STATE OF NEVADA

MASTER UTILITY PLAN
 JAGGERS RANCH A, B, C, D
 DIST. 1

