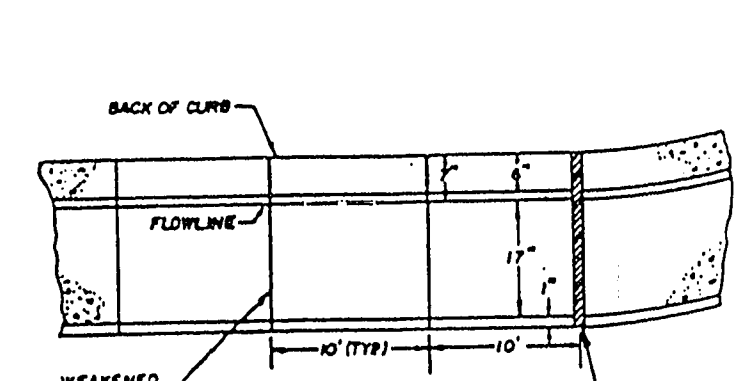
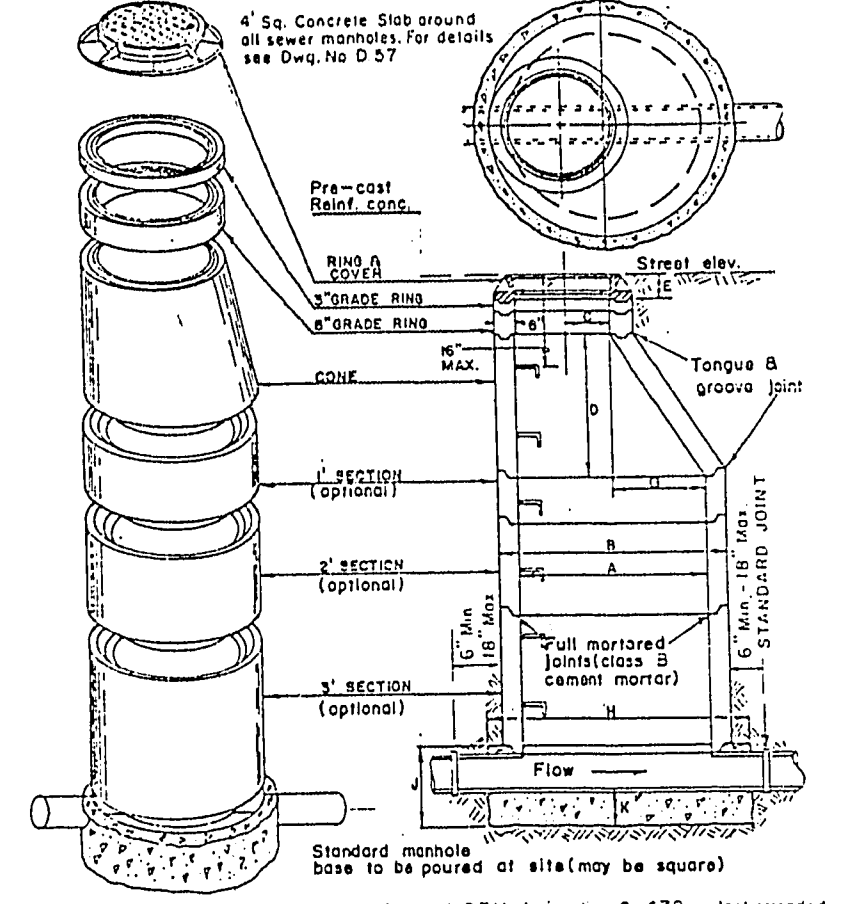


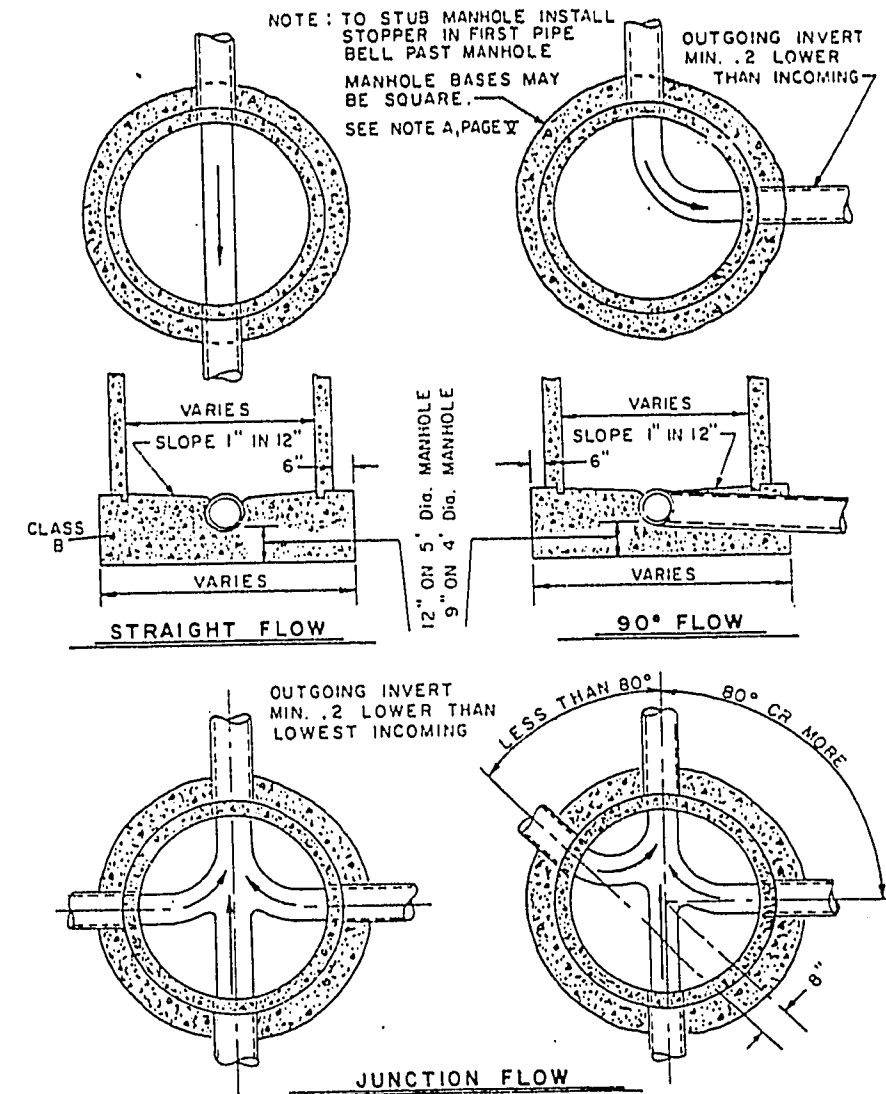
ISLAND CURB 'A' & 'L' TYPES



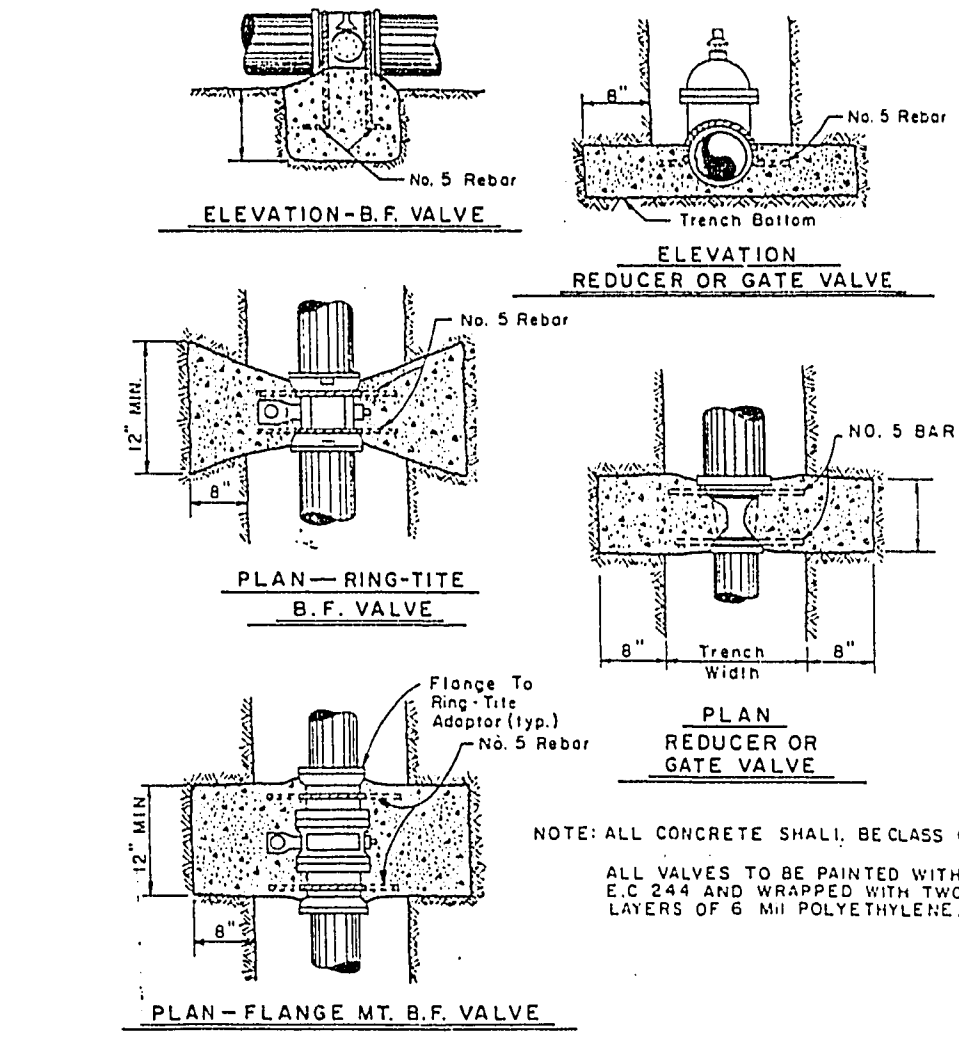
CURB & GUTTER 'L' TYPE STANDARD DWG No. 216



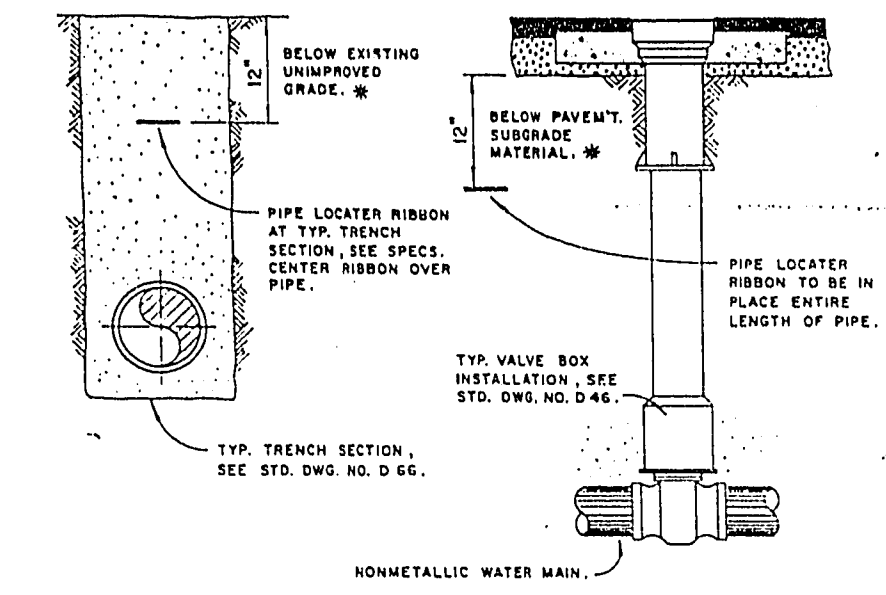
STANDARD ECCENTRIC MANHOLE



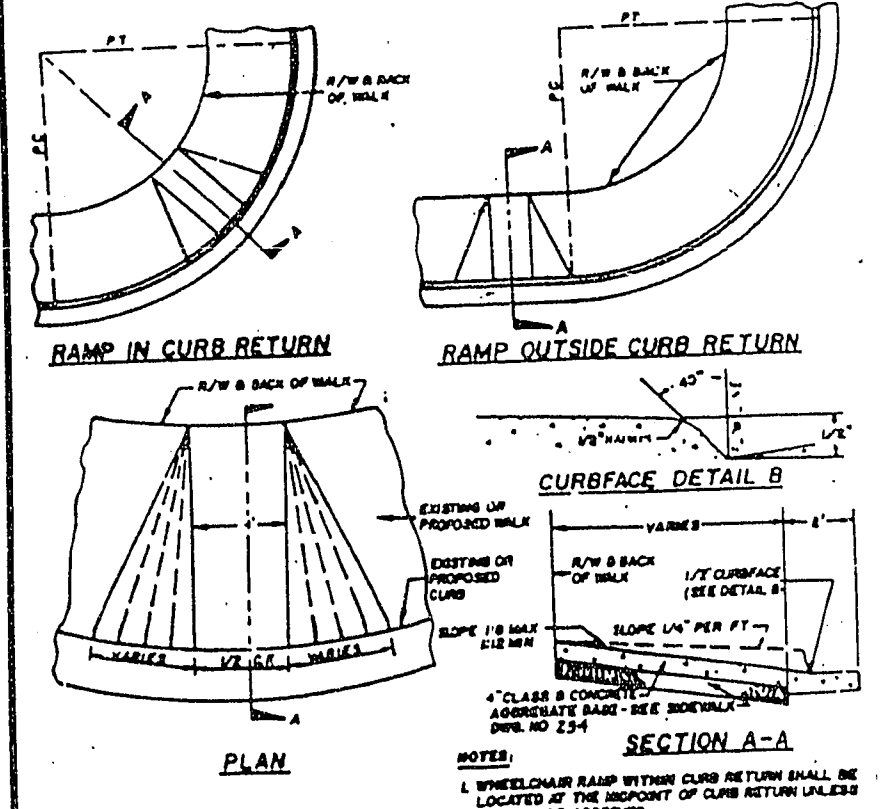
STANDARD MANHOLE BASES



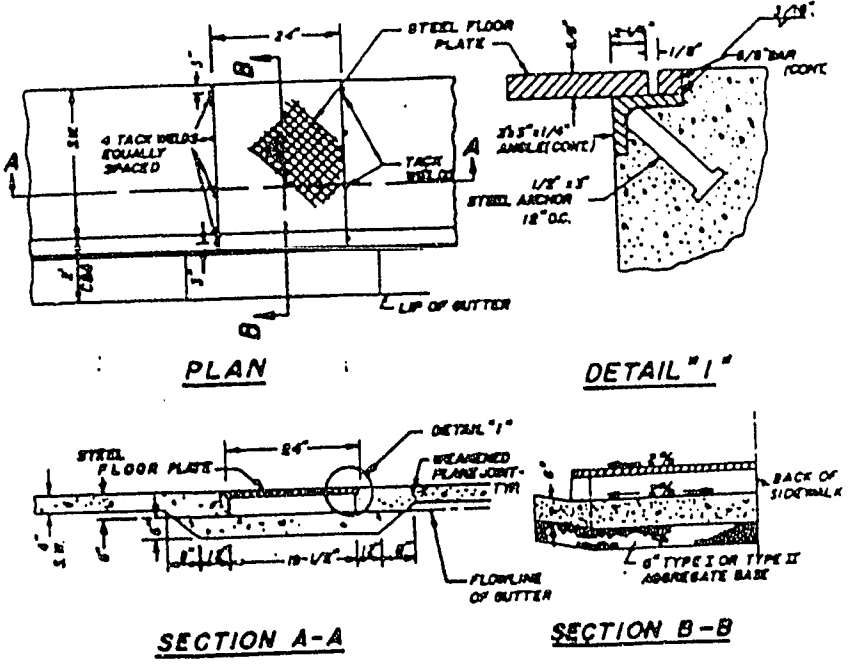
ANCHOR BLOCK DETAILS REDUCER OR VALVE



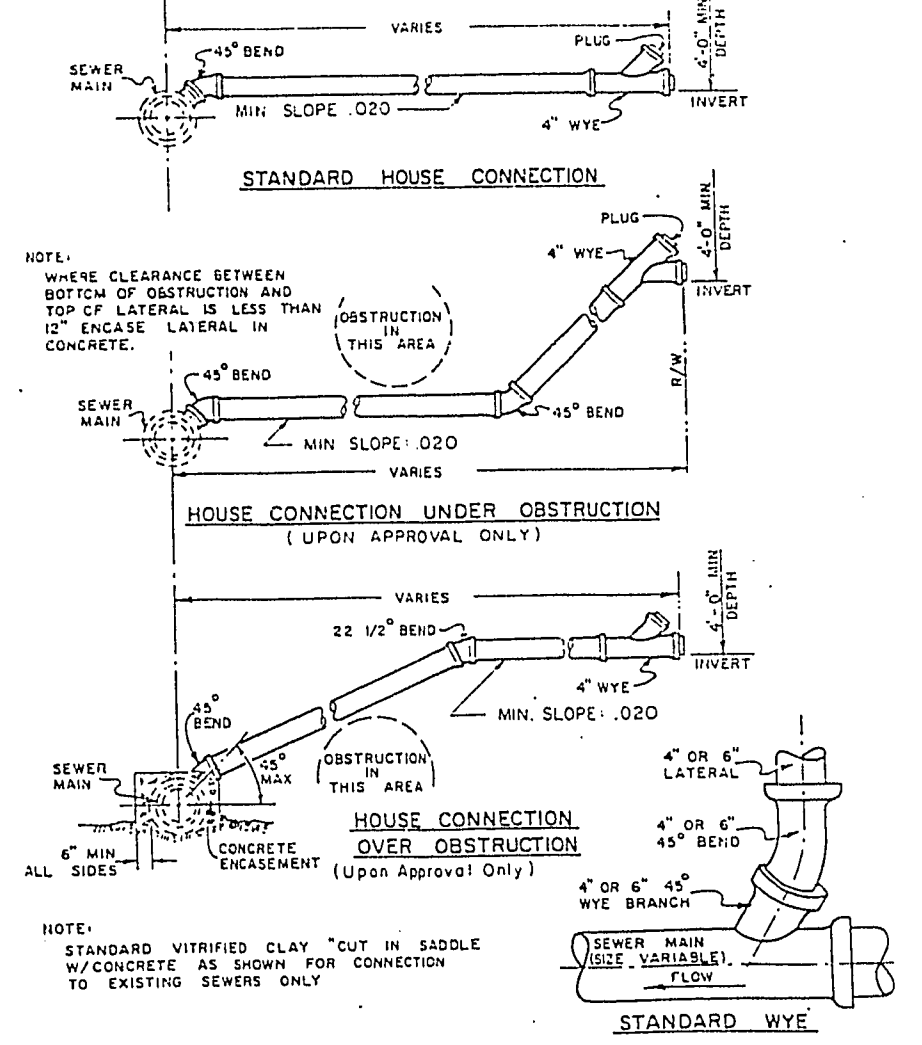
PIPE LOCATOR RIBBON TYPICAL INSTALLATION



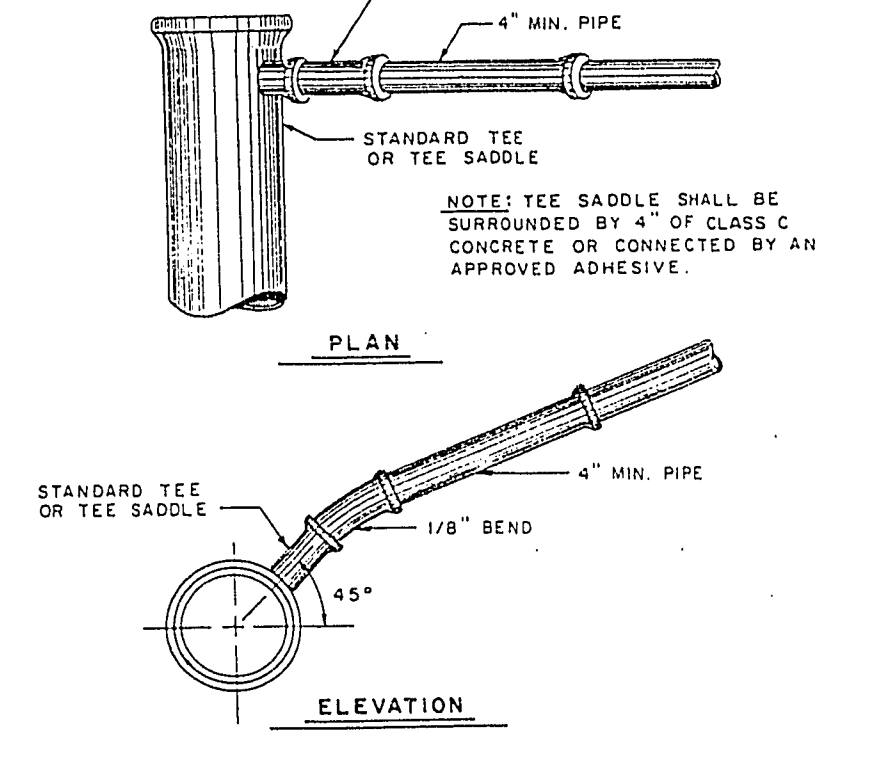
WHEELCHAIR RAMP STANDARD DWG No. 235



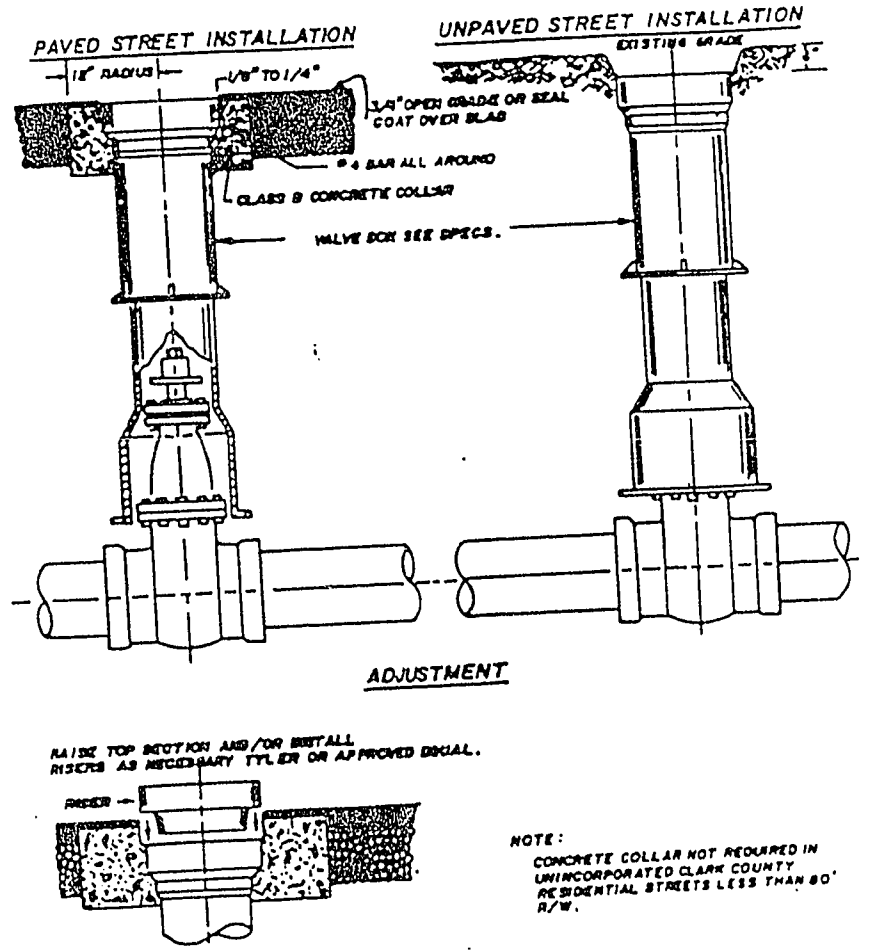
SIDEWALK CROSS DRAIN



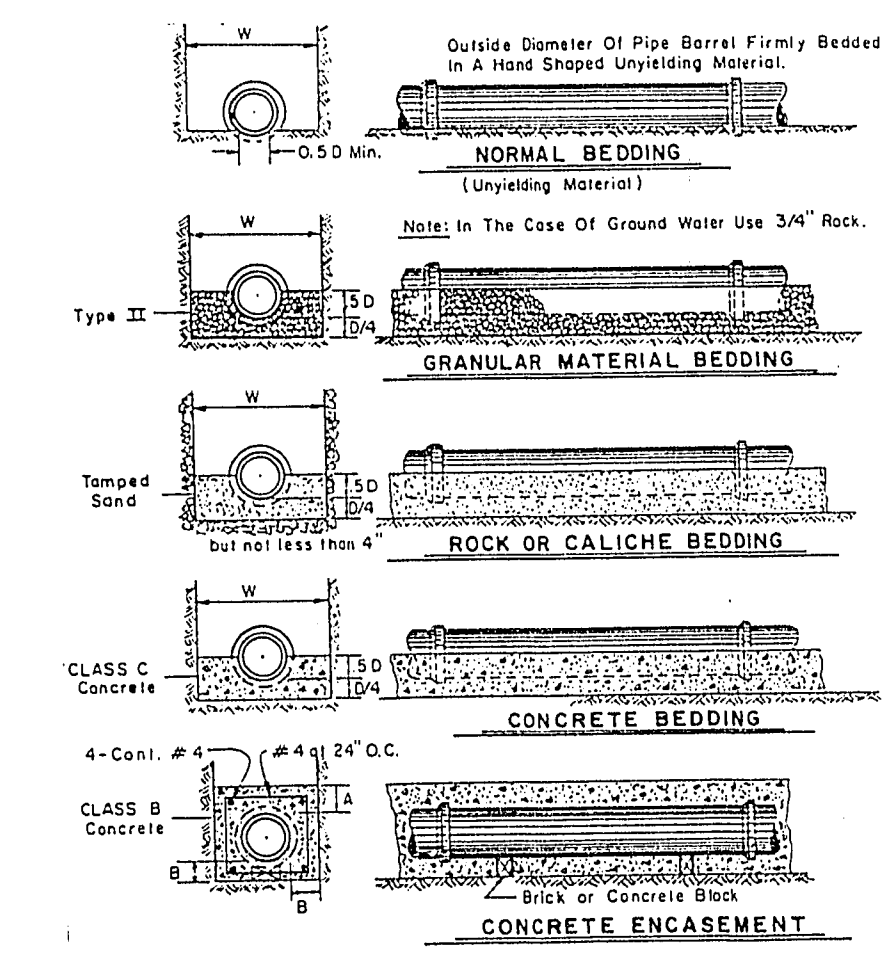
SEWER LATERAL CONNECTION WITH CLEANOUT WYE



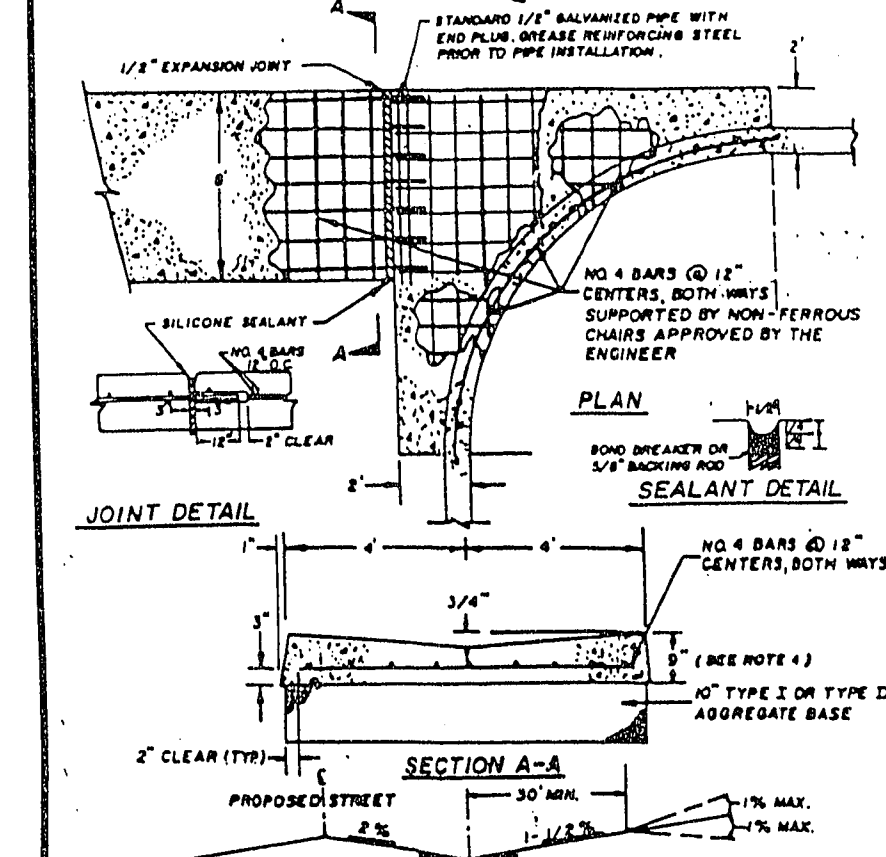
SEWER LATERAL CONNECTION STANDARD



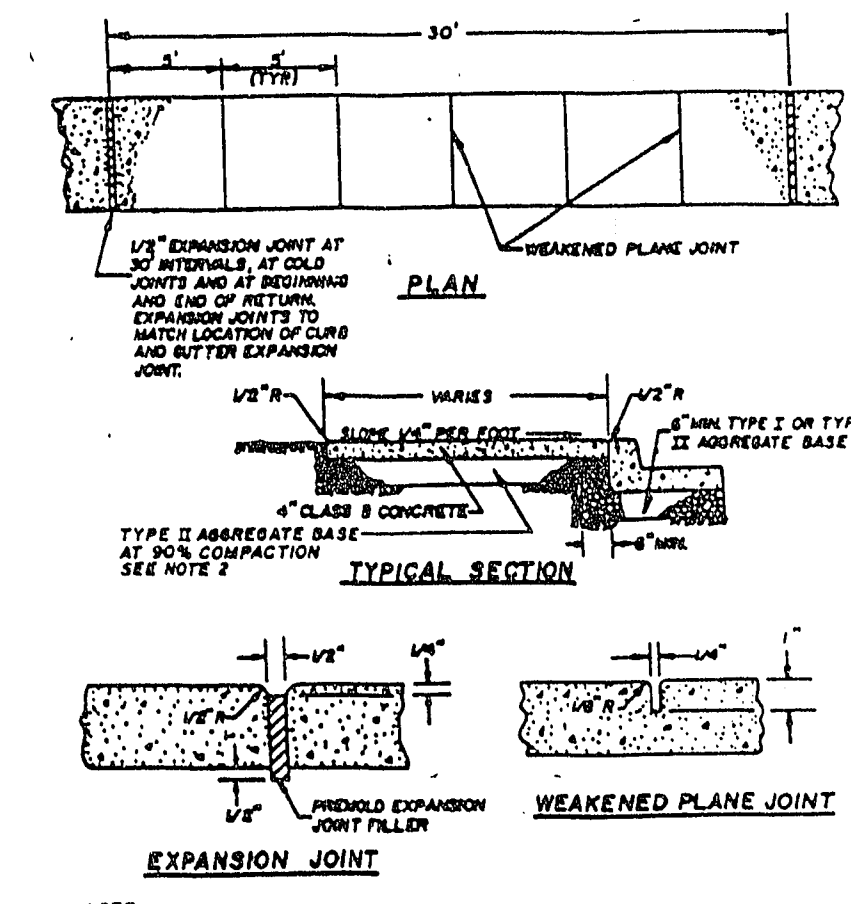
VALVE BOX INSTALLATION TYPICAL



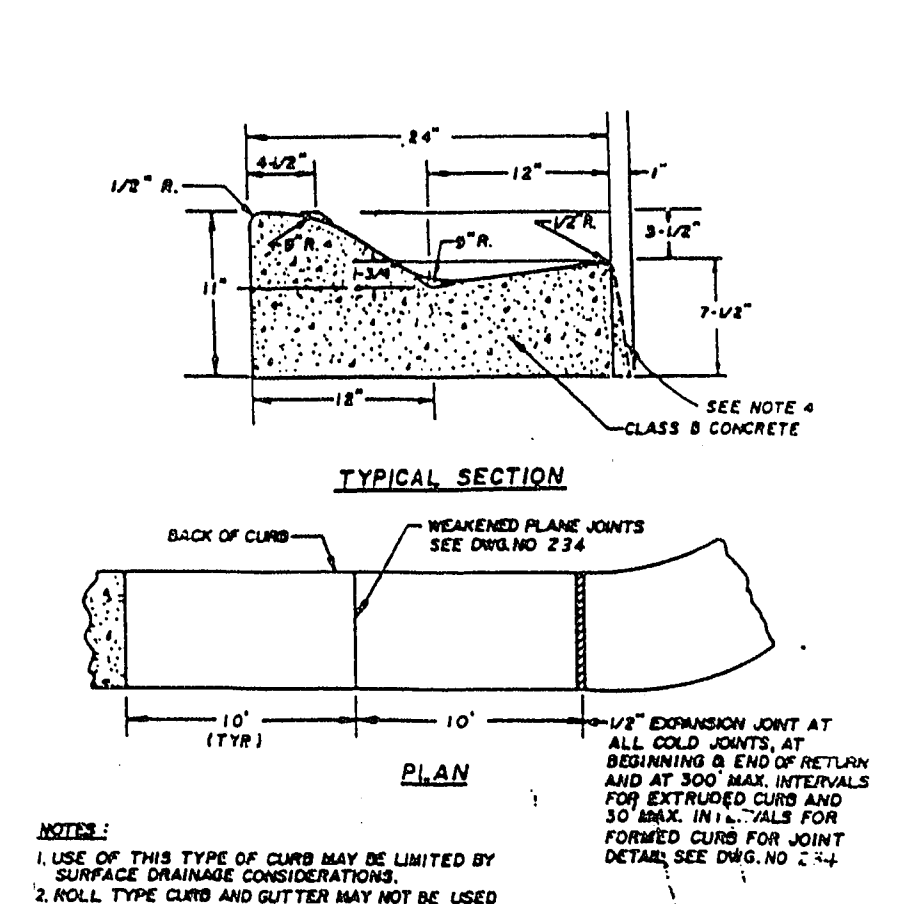
PIPE BEDDING METHODS



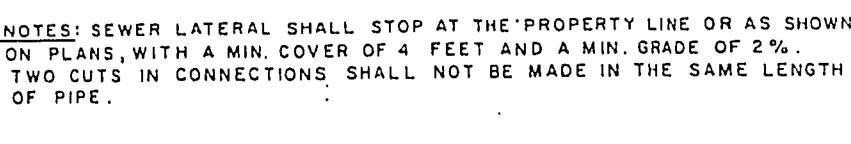
VALLEY GUTTER STANDARD DWG No. 228



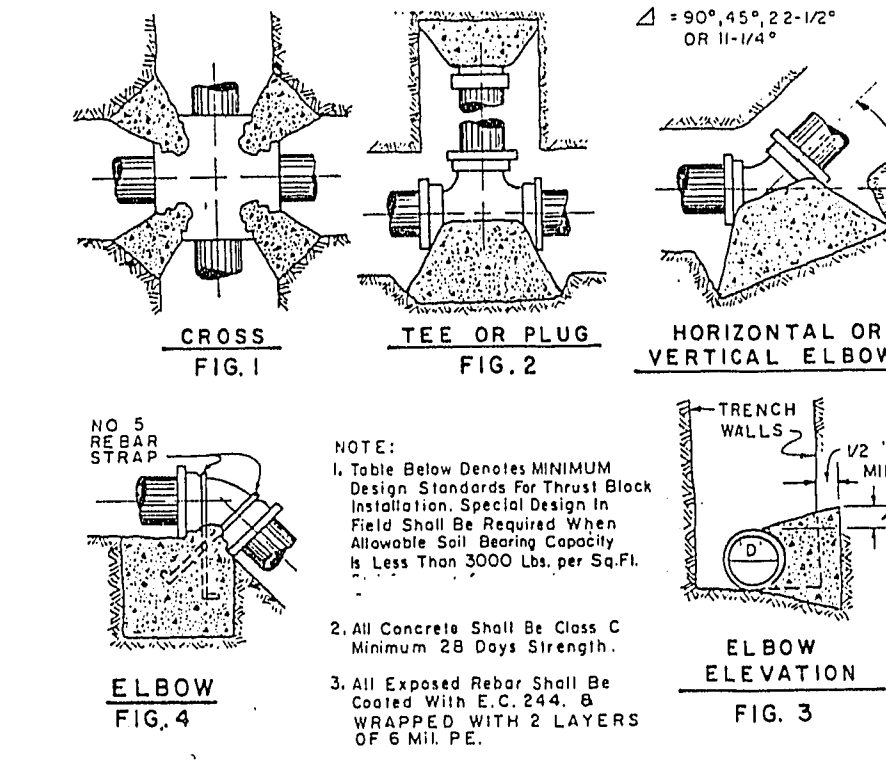
CONCRETE SIDEWALK



ROLL TYPE CURB & GUTTER



FIRE HYDRANT INSTALLATION STANDARD DWG No. 516 WITH REVISIONS STATED ABOVE



THRUST BLOCK DETAILS

Table with 10 columns and 1 row, likely a material or specification table.

Table with 4 columns and 4 rows, likely a bedding or material specification table.

Table with 4 columns and 10 rows, likely a concrete volume calculation table.

Project detail sheet header and footer containing company name (SUMMIT ENGINEERING CORPORATION), project name (JONATHAN'S GLEN DEVELOPMENT CORPORATION), location (LAS VEGAS, CLARK COUNTY, NEVADA), sheet number (11), and drawing number (289002).

Handwritten notes and signatures at the bottom right of the page, including a date '4/12/89' and a drawing number '107-4040'.