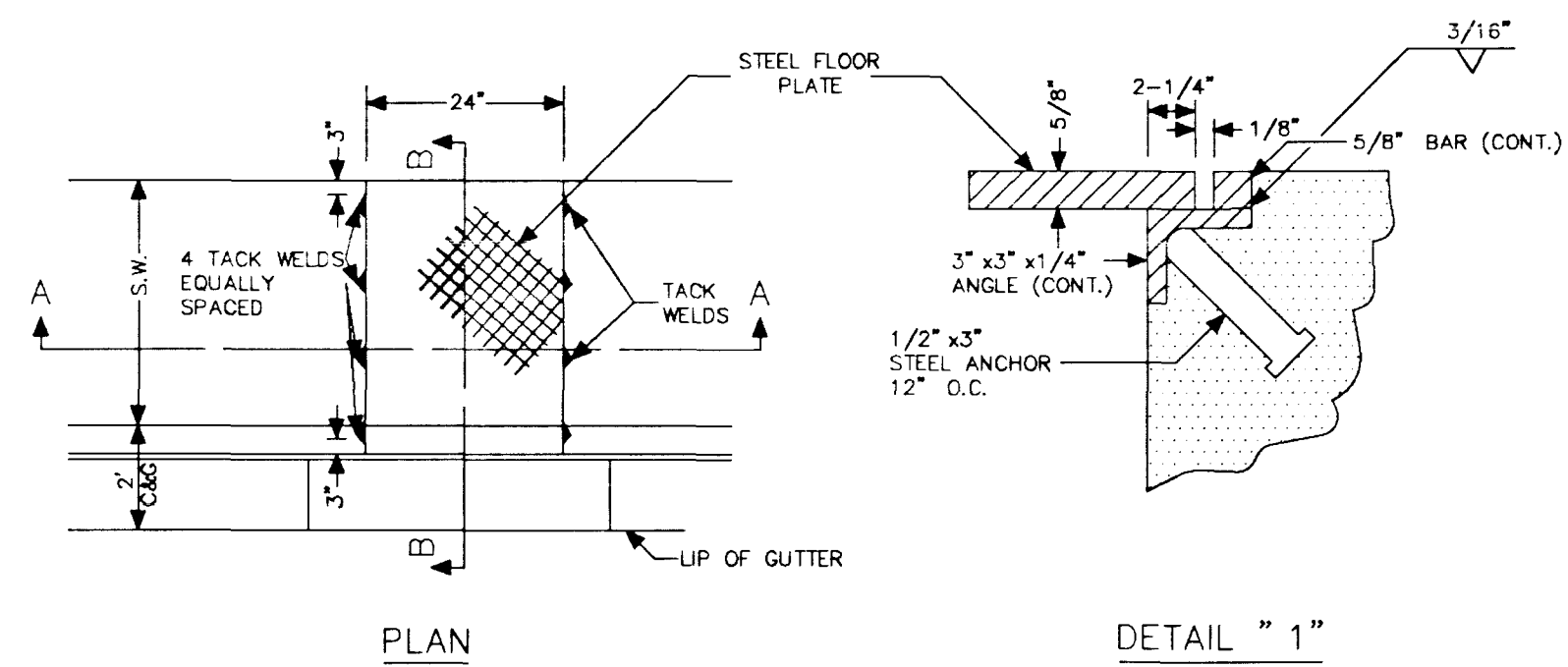
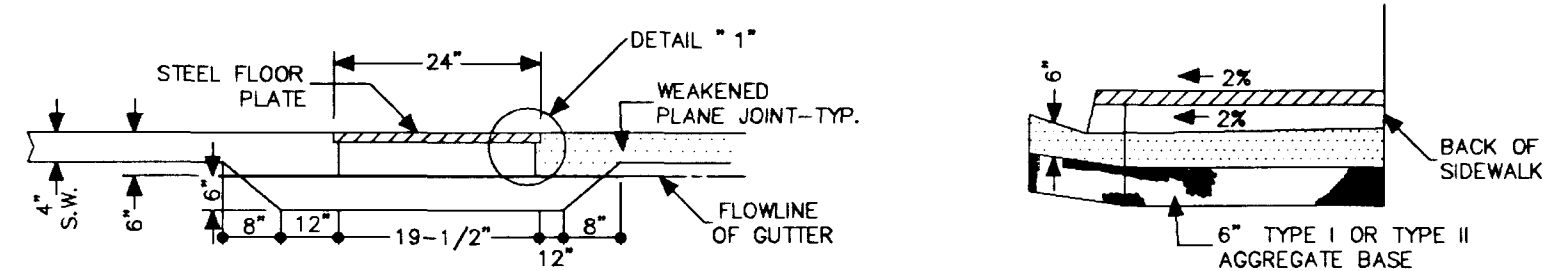


SIDEWALK DRAIN



PLAN

DETAIL "1"



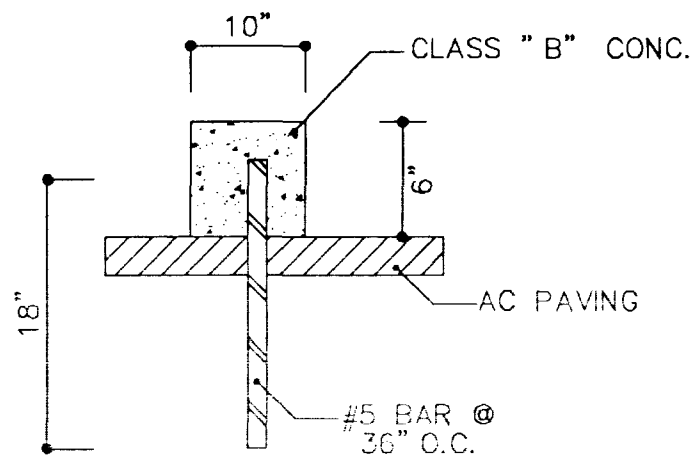
SECTION A-A

SECTION B-B

NOTES:

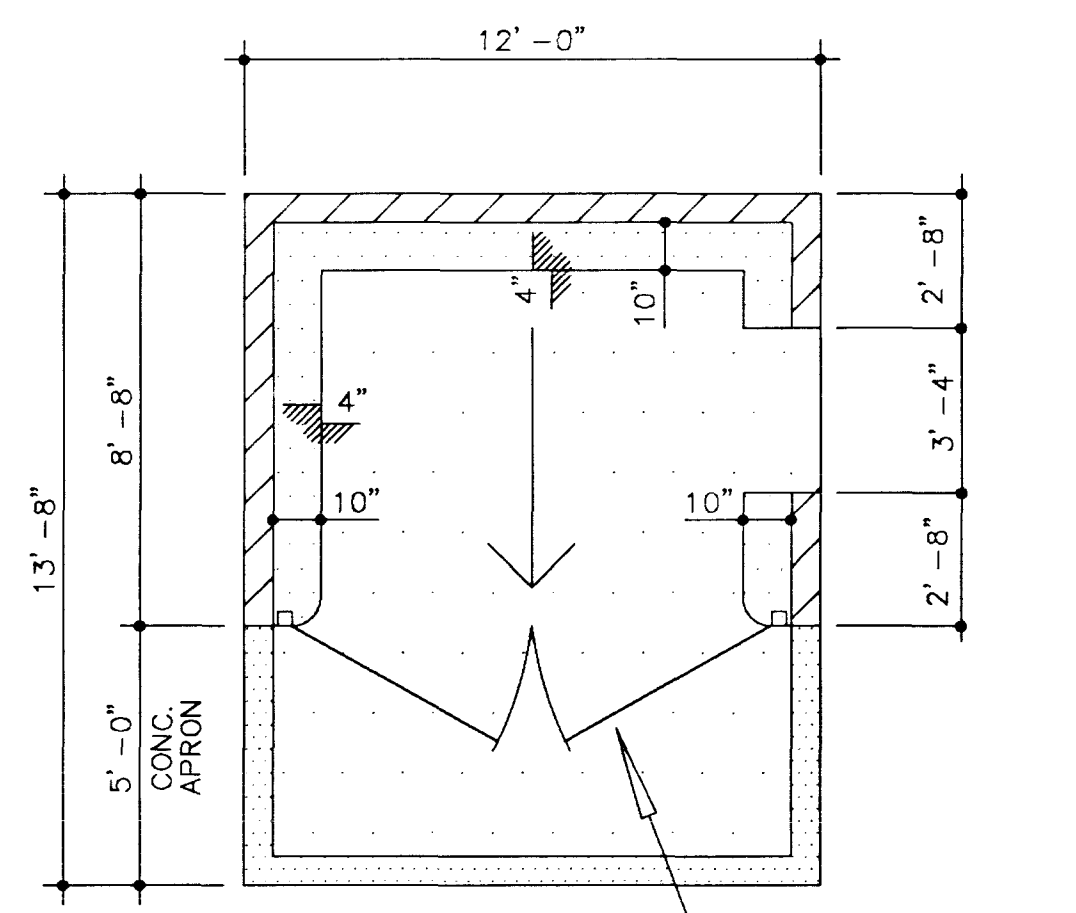
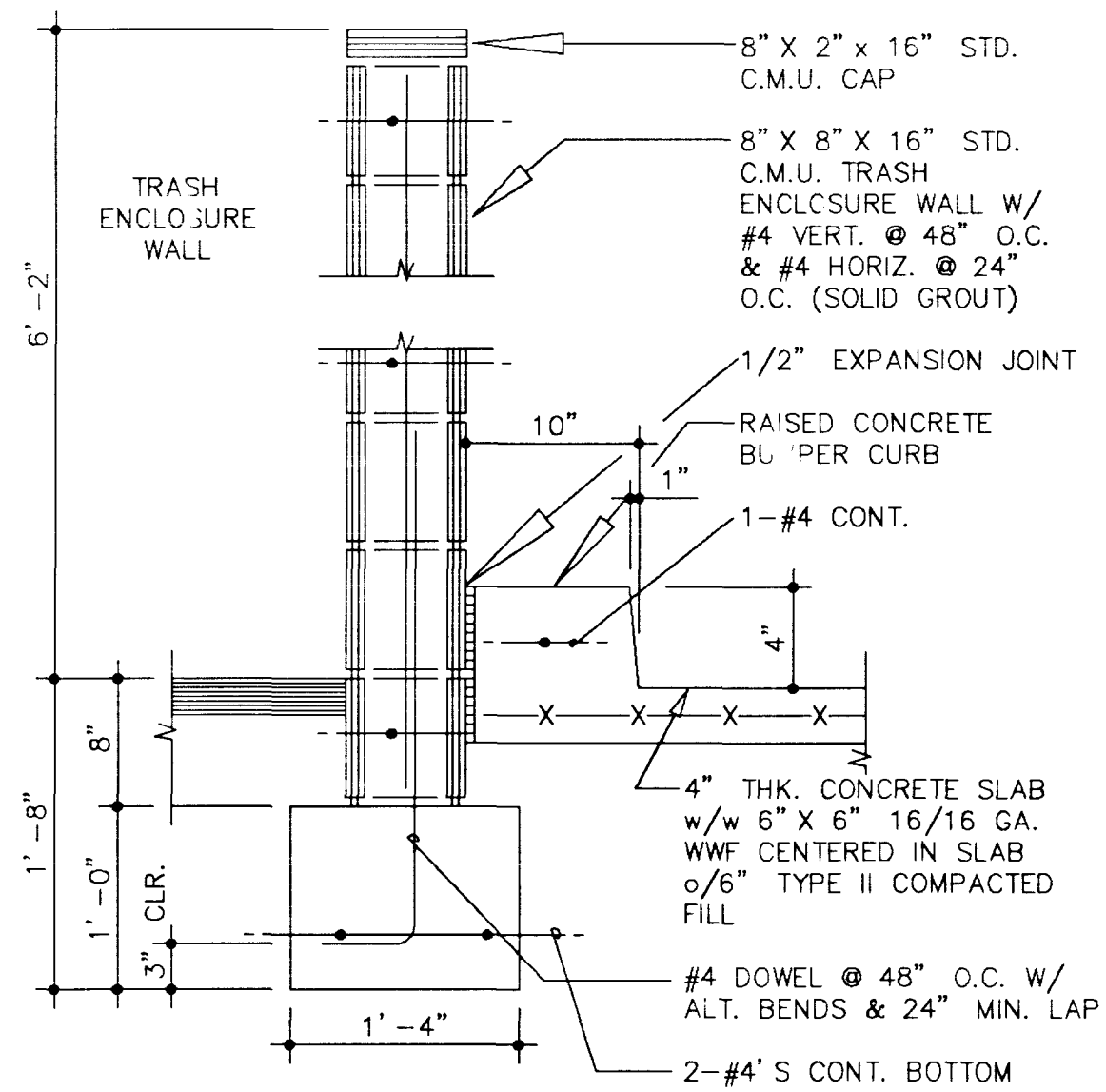
1. IF WIDTH IS GREATER THAN 24", A SPECIAL DESIGN IS REQUIRED.
2. ALL EXPOSED METAL PARTS SHALL BE GALVANIZED AND ALL GALVANIZING DAMAGED BY FABRICATION OR INSTALLATION SHALL RECEIVE TWO COATS OF ALUMINUM PAINT (GALVONOX OR EQUAL).

6



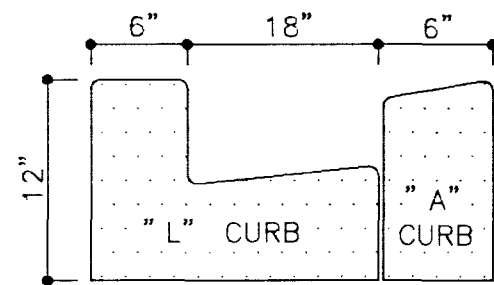
10" RAISED MEDIAN

2

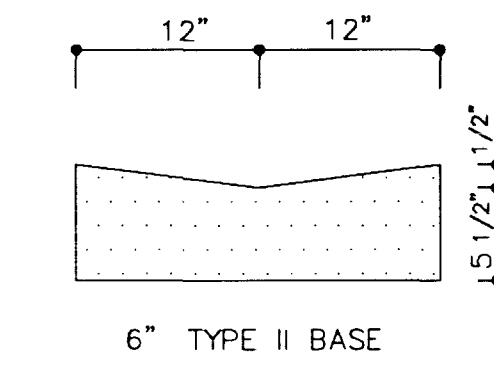


TRASH ENCLOSURE PLAN

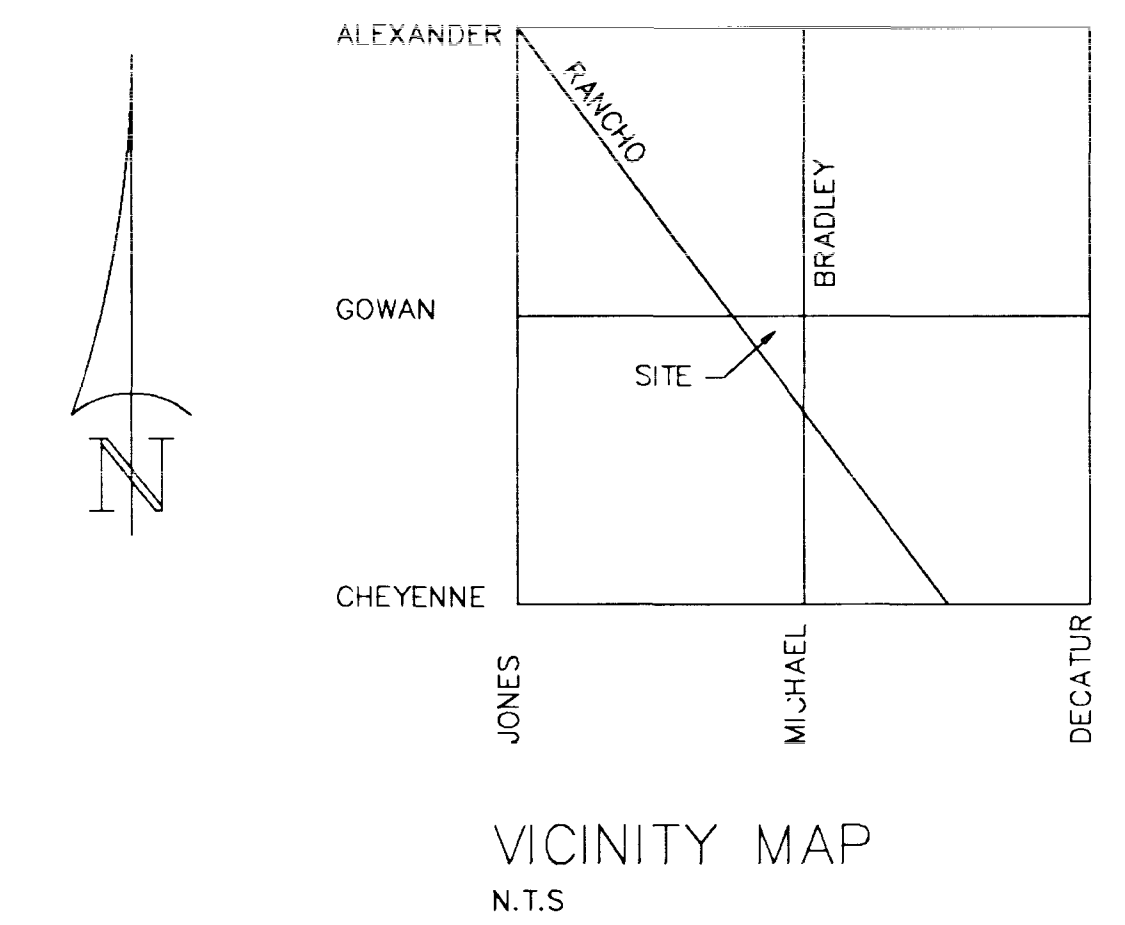
8



5 DRAIN THRU



1 24" VALLEY CUTTER

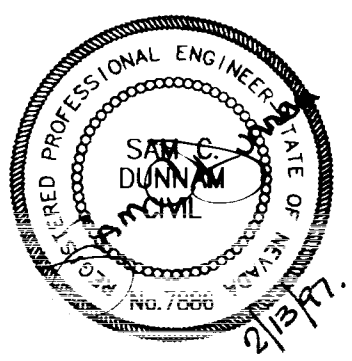


VICINITY MAP  
N.T.S.

NO.	DATE	REVISION

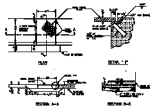
**DUNNAM CIVIL ENGINEERS**  
 3308 SPRING MOUNTAIN ROAD  
 SUITE 82  
 LAS VEGAS, NV 89102  
 (702) 367-0588  
 (702) 367-8145 FAX

**FUNNY S II**  
 DETAILS



5

SIDEWALK DRAIN

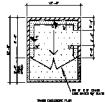
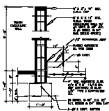
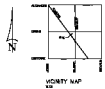


- NOTE:
1. ALL SLOPE TO DRAIN TO BE 1/4" PER FOOT.
  2. ALL SLOPE TO DRAIN TO BE 1/4" PER FOOT TO THE CENTER OF THE DRAIN.

6



2



8



5



1



DUNNAM CIVIL ENGINEERS  
 1000 17th Street, Suite 100  
 San Francisco, CA 94133  
 Tel: 415.774.1111  
 Fax: 415.774.1112

FUNNY S II  
 DETAILS

5