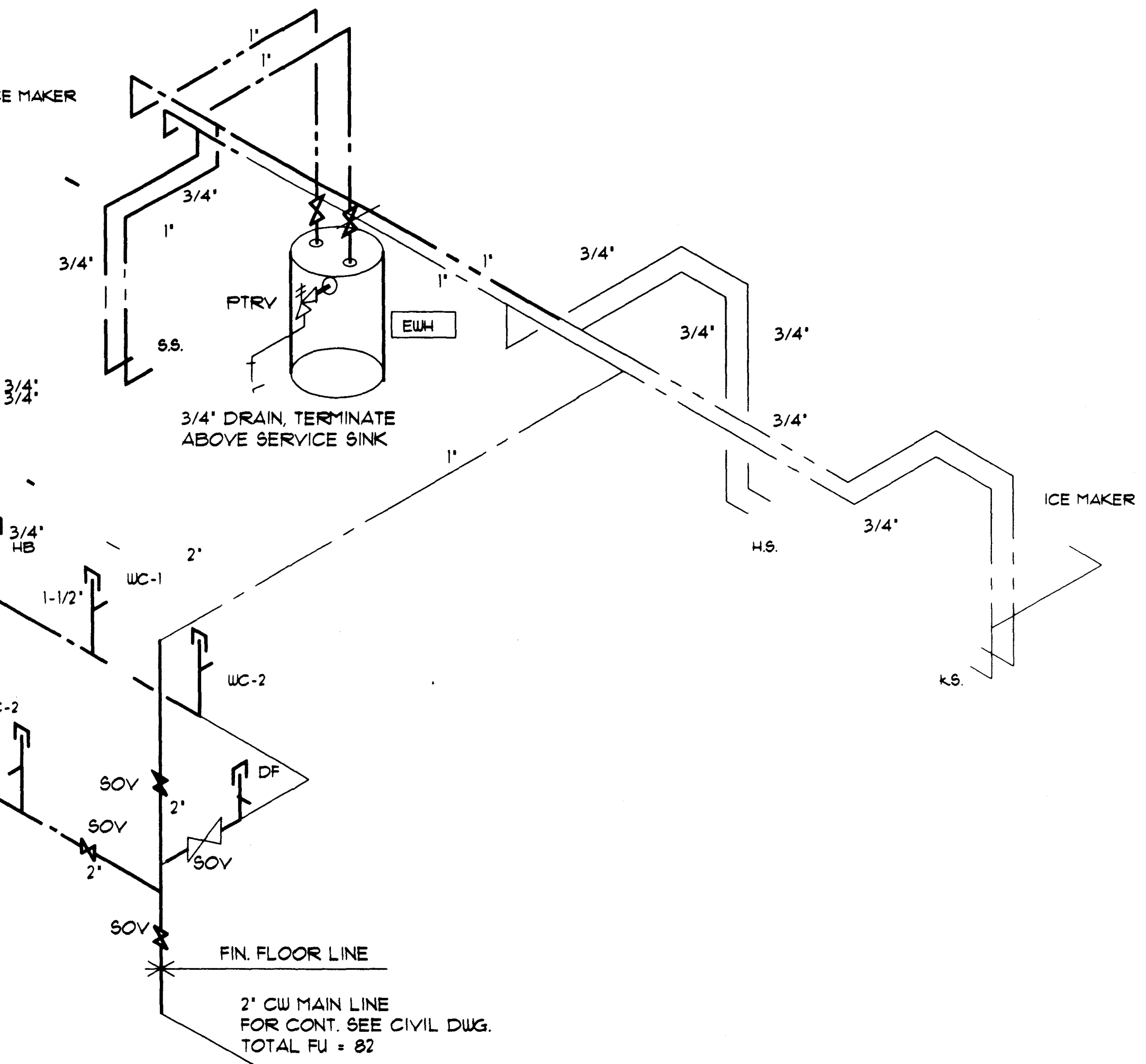


SOIL, WASTE & VENT ISOMETRIC PIPING DIAGRAM



HOT & COLD WATER ISOMETRIC PIPING DIAGRAM

PLUMBING FIXTURES SCHEDULE

ABBR	FIXTURES	QTY	DOMESTIC WATER				SEWER				REMARKS & SPECIFICATION
			CW	HW	FU	TOTAL FU	W OR S	V	FU	TOTAL FU	
LAV-1	LAVATORY	2	1/2"		2	4	2"	1-1/2"	1	2	WALL HUNG 18" LAVATORY BY ACORN DURA WARE #1953-1-DMS-GT-TT WITH AIRTROL PUSH BOTTON PNEUMATIC OPERATED VALVE HEAVY GA TYPE 304 STAINLESS STEEL CONSTRUCTION OR EQUAL.
LAV-2	LAVATORY (HANDICAPPED)	2	1/2"		2	4	2"	1-1/2"	1	2	WALL HUNG 18" LAVATORY BY ACORN DURA WARE #1953-1-CGS-GE WITH AIRTROL PUSH BOTTON PNEUMATIC OPERATED VALVE HEAVY GA TYPE 304 STAINLESS STEEL CONSTRUCTION OR EQUAL.
WC-1	WATER CLOSET	3	1-1/4"		10	30	4"	2"	6	18	WALL HUNG BLOWOUT JET TOILET BY ACORN DURA WARE #2100-W-1-CN-HS WITH MVC MODULAR VALVE CONTROLLER, PUSH BOTTON & HINGED SEAT HEAVY GA TYPE 304 STAINLESS STEEL CONSTRUCTION OR EQUAL.
WC-2	WATER CLOSET (HANDICAPPED)	2	1-1/4"		10	20	4"	2"	6	12	WALL HUNG BLOWOUT JET TOILET BY ACORN DURA WARE #2100-W-1-CN-HS WITH MVC MODULAR VALVE CONTROLLER, PUSH BOTTON & HINGED SEAT HEAVY GA TYPE 304 STAINLESS STEEL CONSTRUCTION OR EQUAL.
UR	URINAL (HANDICAPPED)	1	1"		5	5	2"	1-1/2"	3	3	WALL HUNG STRADLE TYPE URINAL BY ACORN DURA WARE #2187-W-FV-2898 WITH MVC MODULAR VALVE CONTROLLER, PUSH BOTTON HEAVY GA TYPE 304 STAINLESS STEEL CONSTRUCTION OR EQUAL.
SS	SERVICE SINK	1	3/4"	3/4"	4	4	3"	2"	3	3	22" X 18" SERVICE SINK, BY AMERICAN STANDARD LAKEWELL SERVICE SINK COMPLETE WITH TRAP AND FAUCETS
EWH	ELEC WATER HEATER	1	1"	1"			3/4" ID				COMMERCIAL TYPE 52 GALS. ELECTRIC WATER HEATER BY STATE INDUSTRIES #SBC-52-9-IFE-NSF OR EQUAL 9KW, 208V, 3PH, 60HZ
KS	KITCHEN SINK	1	3/4"	3/4"	4	4	3" ID		2	2	18" X 24" 3-COMPARTMENT SINK WITH DRAIN BOARD BY TABCO 759205 HEAVY GAGE TYPE 304 STAINLESS STEEL CONSTRUCTION FAUCET BY MOEN
FD	FLOOR DRAIN	4	1/2"				3"	2"	2	8	FLOOR DRAINS WITH ADJUSTABLE STRAINER HEAD BY A.O. SMITH 20052 OR EQUAL VANDAL PROOF SCREWS, P-TRAP AND TRAP PRIMER AS NOTED IN THE DWG.
HS	HAND SINK	1	1/2"	1/2"	2	2	2"	1-1/2"	1	1	WALL HUNG STAINLESS STEEL SINK BY ADVANCE TABCO 7-PS-22 WITH DECK 22 DECK MOUNTED CENTERSSET FAUCET
DF	DRINKING FOUNTAIN	1	1/2"		1	1	2"	1-1/2"	1	1	WALL HUNG HANDICAPPED DRINKING FOUNTAIN BY MDF MODEL #450
HB	HOSE BIBB	1	3/4"		5	5					HOSE BIBB WITH INTEGRAL VACUUM BREAKER BY A.O. SMITH 5609QT OR EQUAL
FS	FLOOR SINK	1					3"	2"	2	2	FLOOR SINK BY A.O. SMITH 3002NB OR EQUAL 12-1/2" NICKEL BRONZE TOP WITH DOME STRAINER
	FUTURE ICE MAKER	1	1/2"		1	1			1	1	ICE MAKER 370 LBS PER 24HR, BY HOSHIZAKI KM-500 MA AIR COOLED, 115V-1PH-60HZ, 3.1 AMPS
RD	ROOF DRAIN						3"				8-1/2" LOW PROFILE ROOF DRAIN A.O. SMITH 1330 OR EQUAL, OVERFLOW DRAIN #1070 OR EQUAL. 2" DIA. DOWNSPOUT DAY LIGHT TO OUTSIDE, SEE ARCH. DWG FOR LOCATION AND DETAIL.
	TOTAL FU						82			55	

PLUMBING SYMBOL LIST

- CW COLD WATER LINE
- HW HOT WATER LINE
- HWR HOT WATER RETURN LINE
- V VENT LINE
- W WASTE LINE
- S SEWER LINE
- G GAS LINE
- HB HOSE BIBB
- GV GATE VALVE
- BF BACKFLOW PREVENTER
- WHA WATER HAMMER ARRESTOR
- GC GAS COCK
- FD FLOOR DRAIN
- FC FLOOR SINK
- CO CLEANOUT
- FCO FLOOR CLEANOUT
- WCO WALL CLEANOUT
- VTR VENT THRU ROOF
- DN SLOPE PIPE DN.
- FU FIXTURE UNIT
- IE INVERT ELEVATION
- TP TRAP PRIMER
- WH WALL HYDRANT
- PRV PRESS. RELIEF VALVE
- SOV SHUT-OFF VALVE

DEPARTMENT OF PUBLIC WORKS
 PROJECT: Gowan Soccer Complex Restroom Facility
 SHEET NO: 49
 DWGNO: 675-V31
 ARCHITECTURAL SERVICES
 DRAWN BY: HL
 DESIGNED BY: AC
 DATE: 1-31
 PLOT SCALE: 1/4" = 1'-0"
 FLD BK

