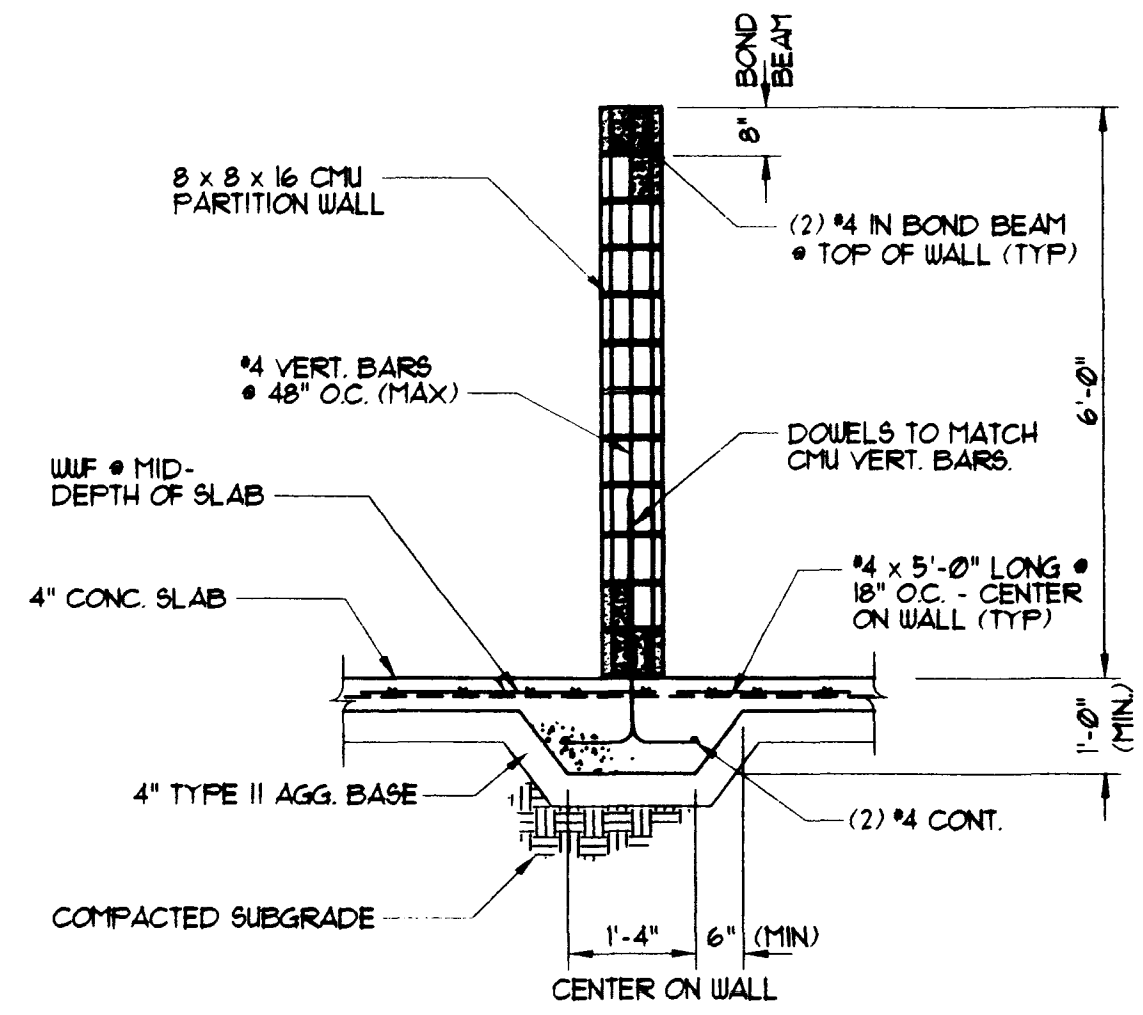
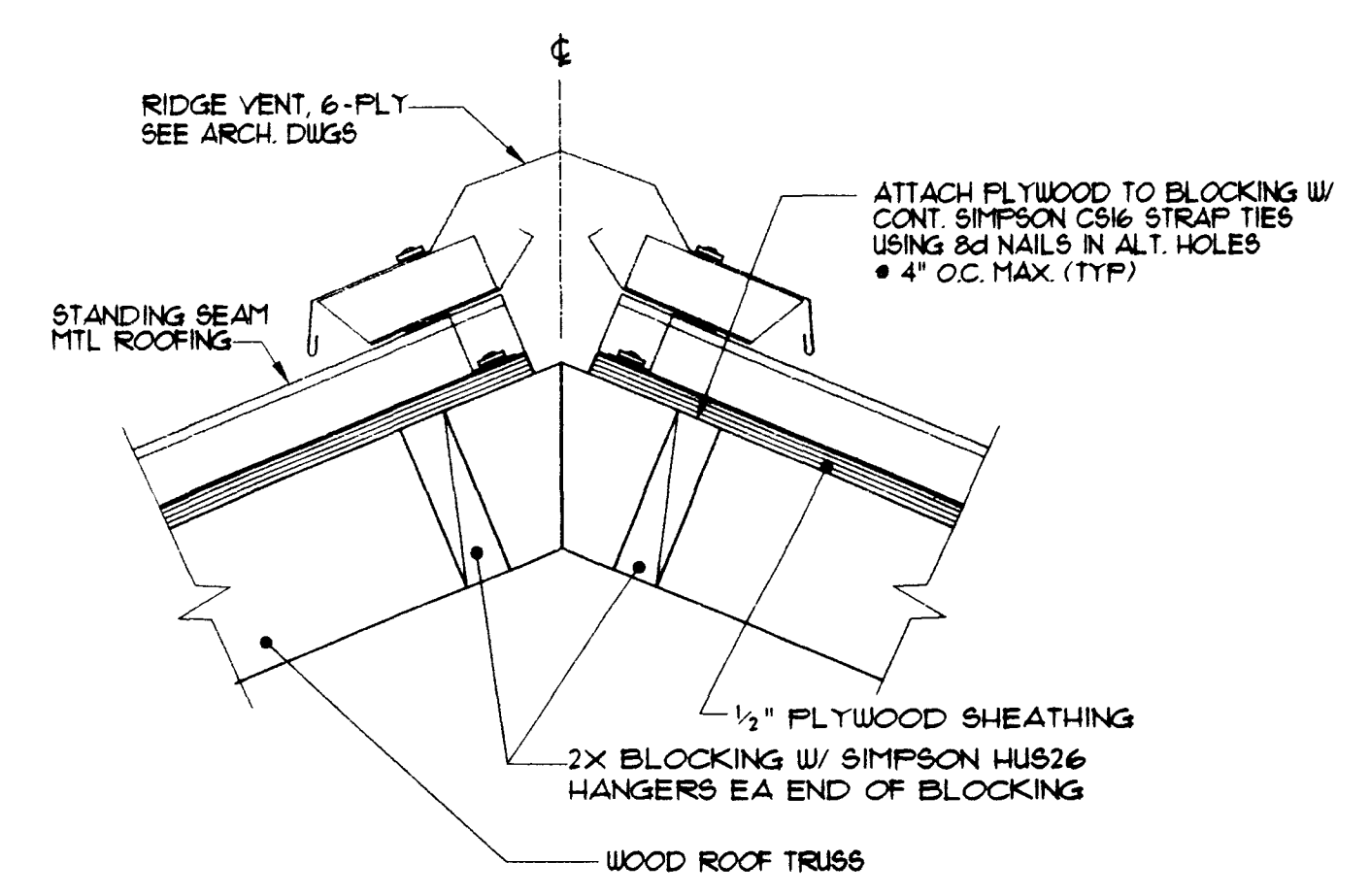


- NOTES:
1. 2 x 6 TRUSS MEMBER MAY SLOPE TO ACCOMMODATE SLOPE OF EQPT RECESS FLOOR.
  2. ATTACH ALL HORIZ. DIAPHRAGM BLOCKING W/ SIMPSON TYPE LUG JOIST HANGERS EA END.
  3. ATTACH RECESS DIAPHRAGMS W/ 8d NAILS @ 4" O.C. @ PERIMETER AND @ 6" O.C. ELSEWHERE.
  4. PROVIDE CONT. SIMPSON C16 STRAPPING ABOVE, BELOW & AT SIDES OF DUCT OPNGS.

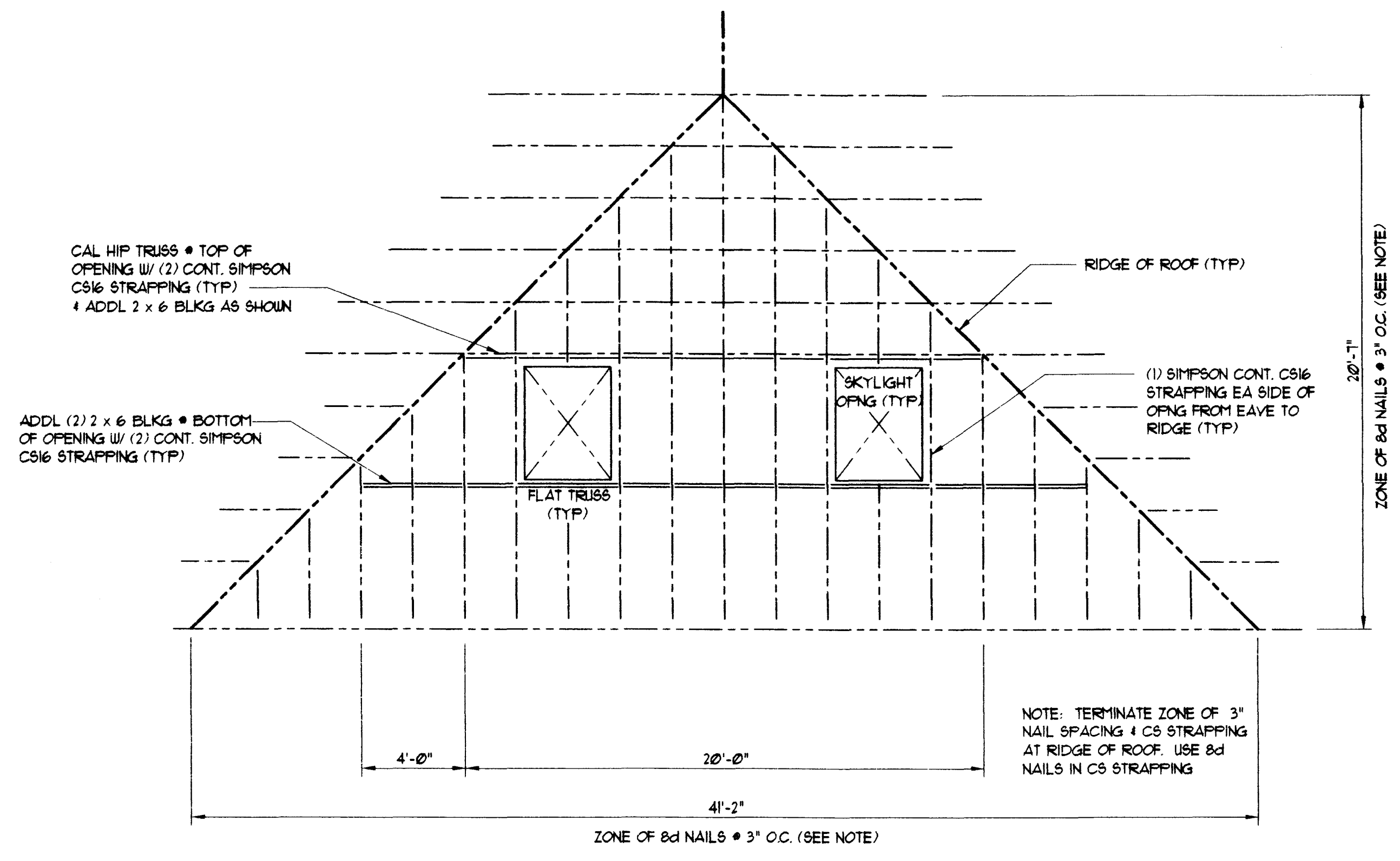
**M** Section @ Eqpt Recess on Roof  
Scale: 1/2" = 1'-0"



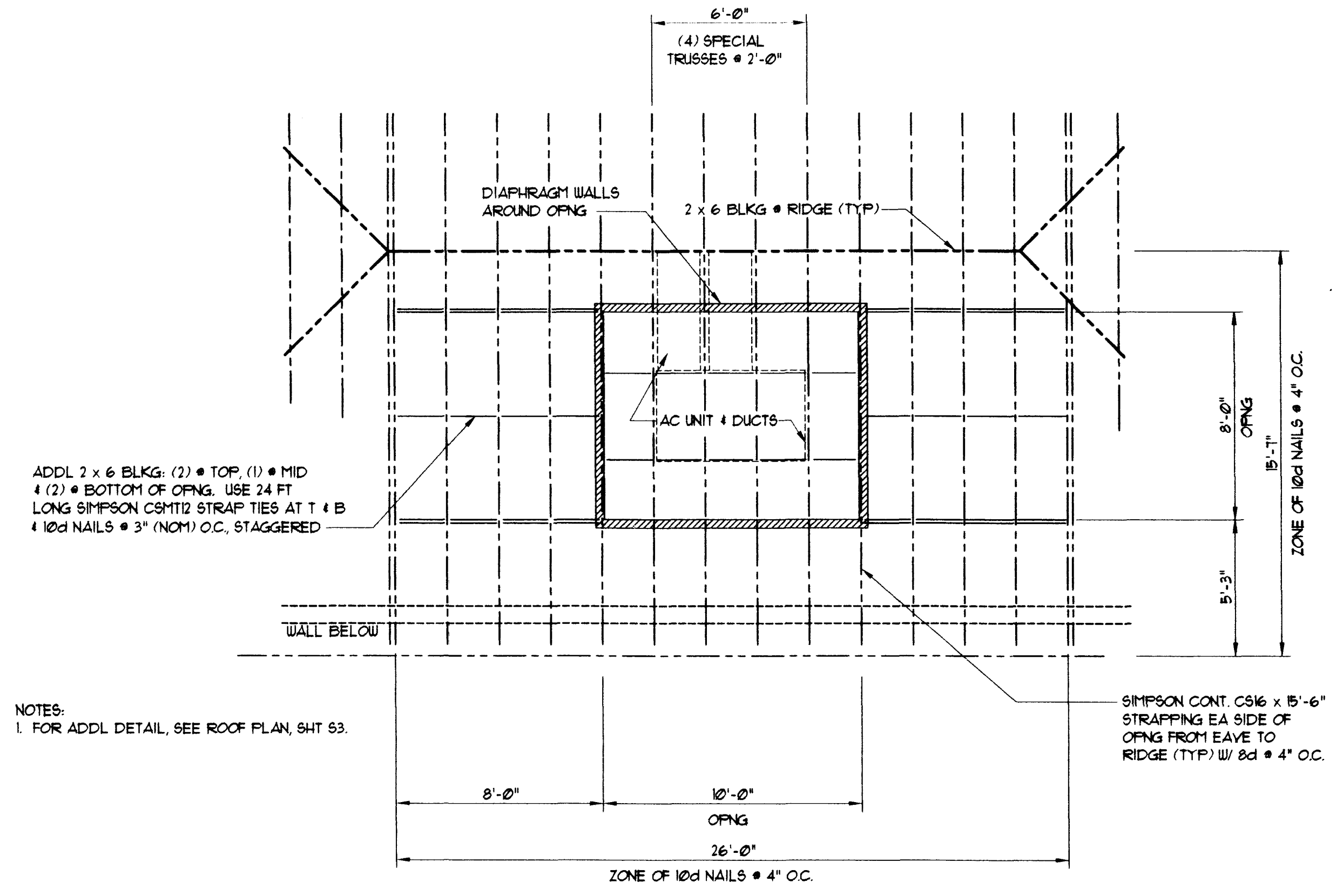
**N** Section @ Partition Wall  
Scale: 1/2" = 1'-0"



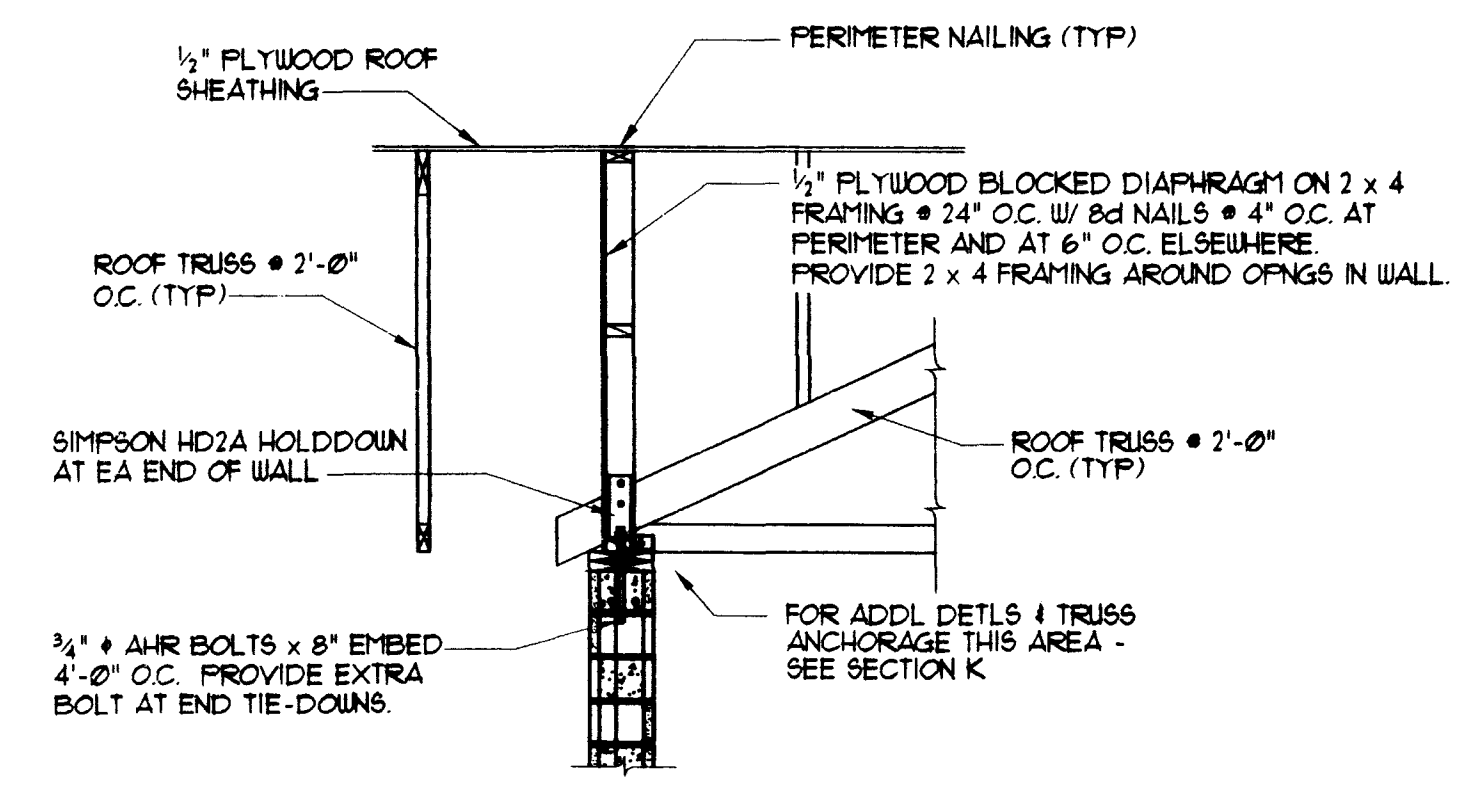
**O** Section @ Cont. Roof Vent  
Scale: None



**7** Partial Plan @ Skylight Openings  
Scale: 1/4" = 1'-0"

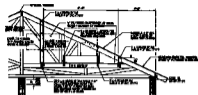


**8** Partial Plan @ Eqpt Recess Opng  
Scale: 1/4" = 1'-0"

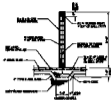


**P** Section @ Diaphragm Wall  
Scale: 1/2" = 1'-0"

DATE:	
REVISIONS:	
DRAWN BY: MDS	DESIGN BY: MDS
U.S.A.	DATE: 07/91
PLOT SCALE: SHOWN	
FLD. BK.	
<b>ARCHITECTURAL SERVICES</b>	
<b>DEPARTMENT OF PUBLIC WORKS</b>	
<b>PROJECT:</b> Gowan Soccer Field Complex - Toilet Bldg.	
<b>SHEET TITLE:</b> Sections & Details	
SHEET NO.	56
DRAWING NO.	675-V31
GTB156	46
675-V31	57



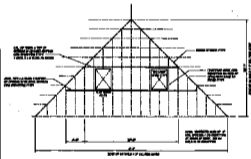
Section 4 Eght. Recess on Roof  
Scale: 1/4" = 1'-0"



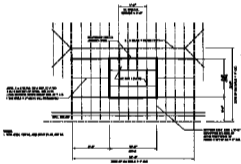
Section 5 Partition Wall  
Scale: 1/4" = 1'-0"



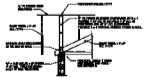
Section 6 Cont. Roof Vert.  
Scale: 1/4" = 1'-0"



Partial Plan 7 Skylight Opening  
Scale: 1/4" = 1'-0"



Partial Plan 8 Eght. Recess Opng.  
Scale: 1/4" = 1'-0"



Section 9 Diaphragm Wall  
Scale: 1/4" = 1'-0"

DEPARTMENT OF PUBLIC WORKS  
 Sections & Details  
 Gowan Soccer Field  
 Complex - Toilet Bldg.  
 ARCHITECTURAL SERVICES  
 56  
