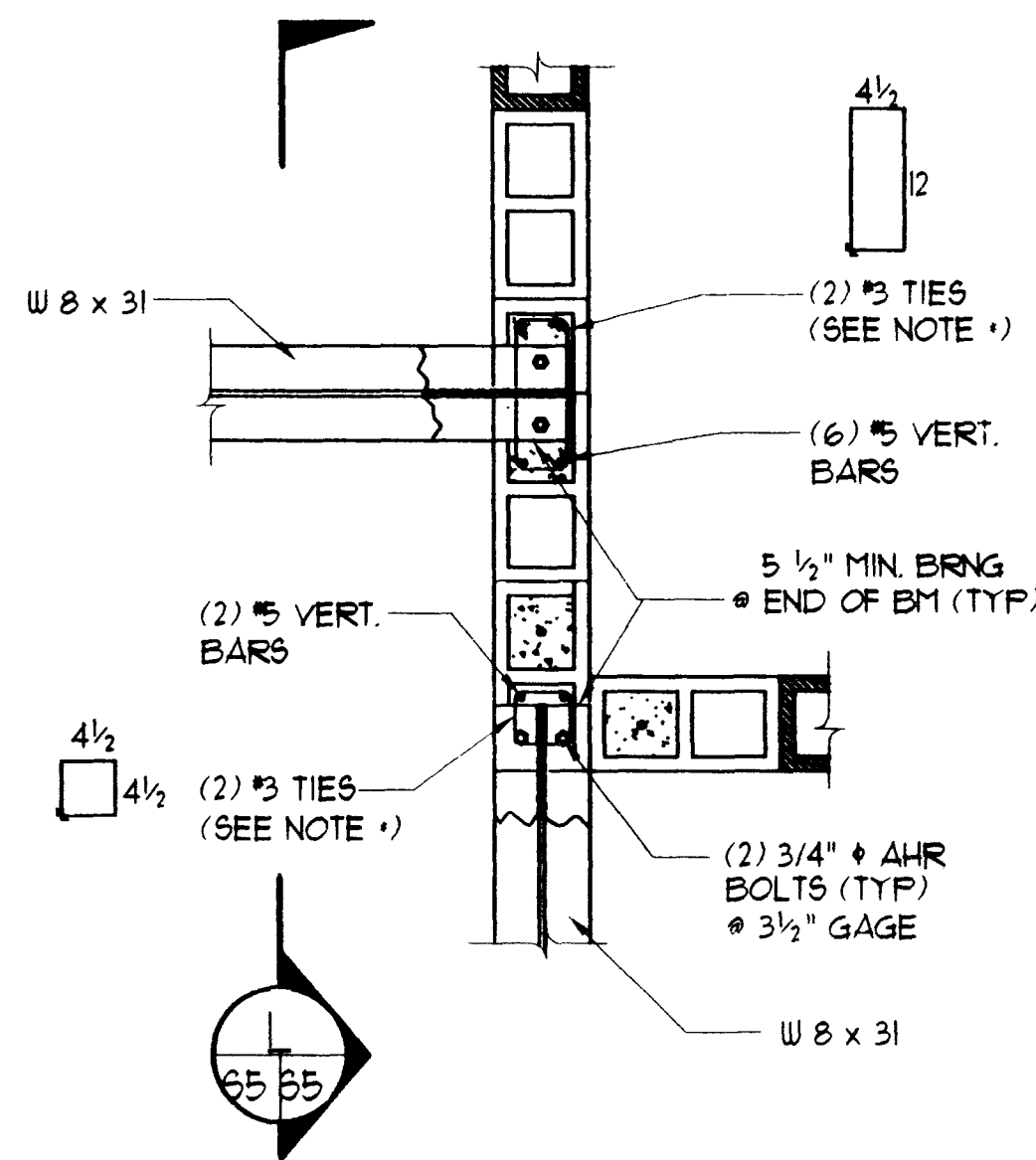
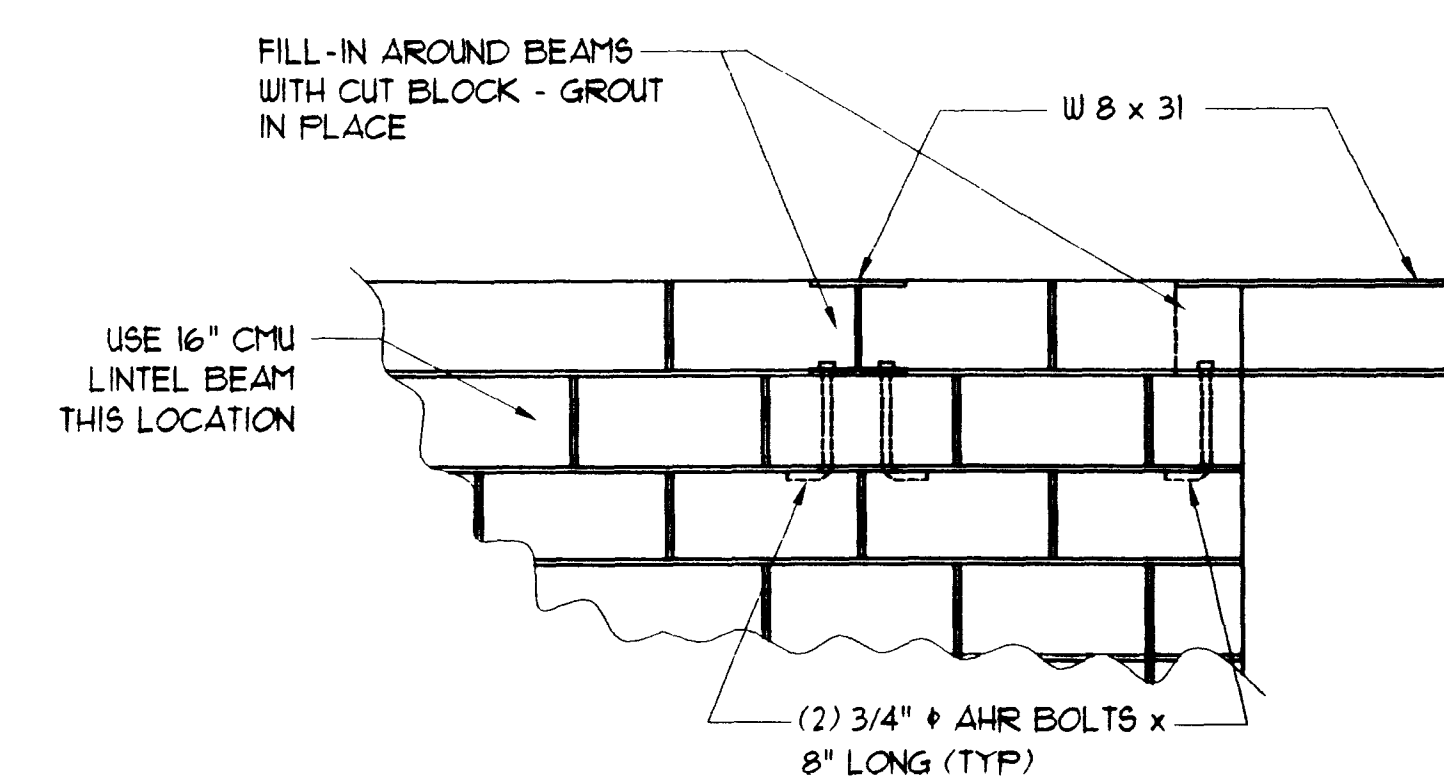


*NOTE: PROVIDE #2 TIES @ 12" O.C. IN ALL WALL COLS SIMILAR TO TIES SHOWN ABOVE



*NOTE: PROVIDE #2 TIES @ 12" O.C. IN ALL WALL COLS SIMILAR TO TIES SHOWN ABOVE.

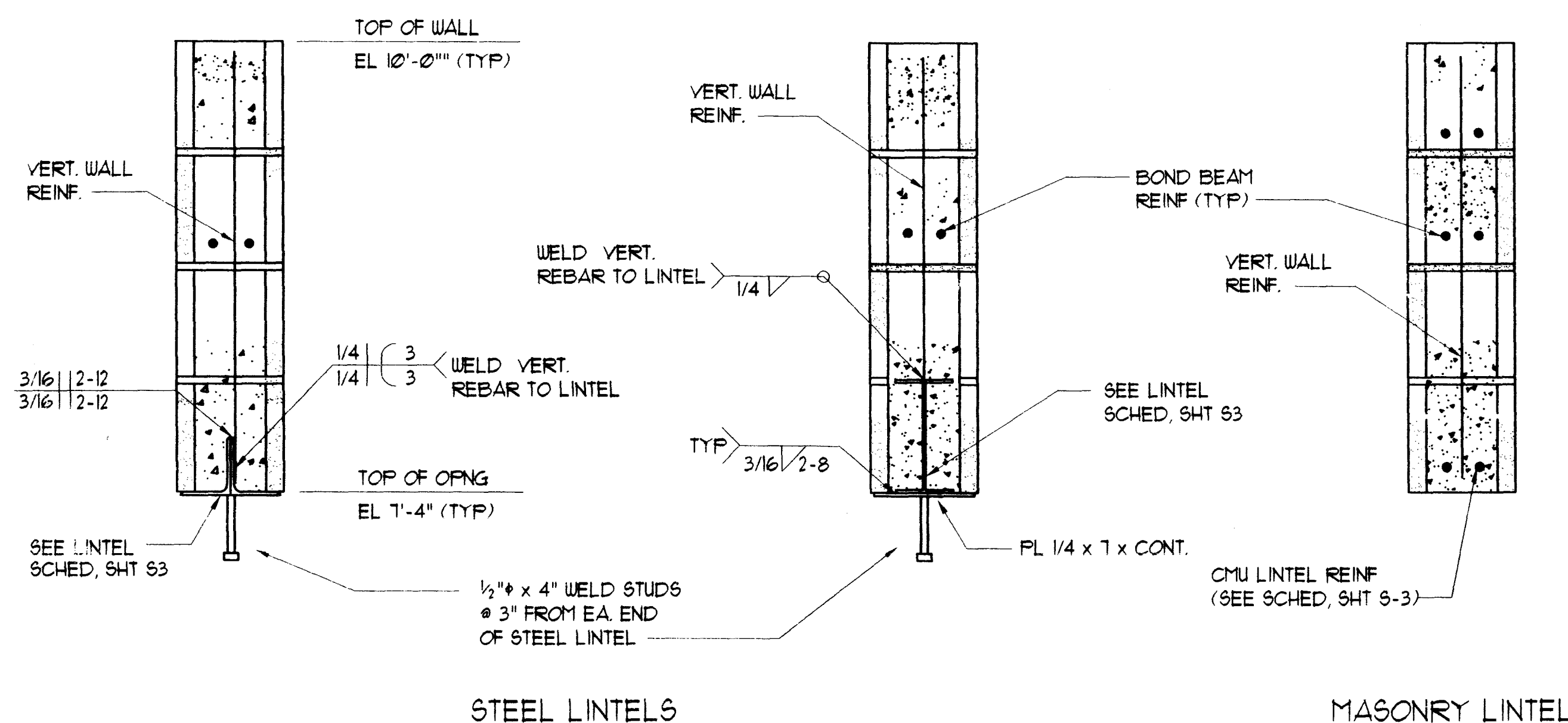


1 Detail @ CMU Corner Column
Scale: 3/4" = 1'-0"

2 Detail @ CMU Column
Scale: 3/4" = 1'-0"

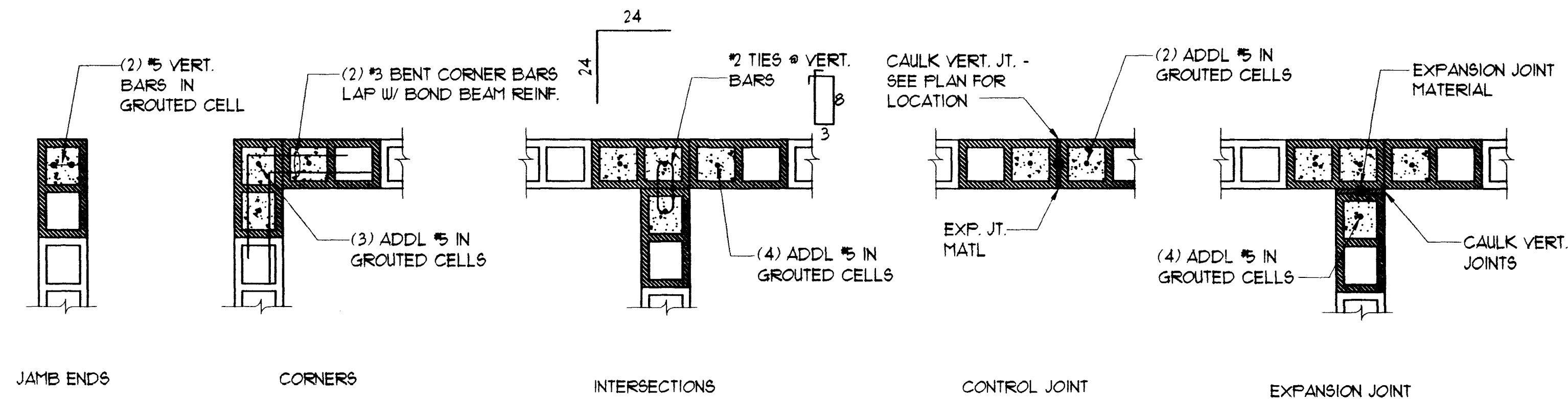
3 Detail @ CMU Wall Column
Scale: 3/4" = 1'-0"

Elevation
Scale: 3/4" = 1'-0"



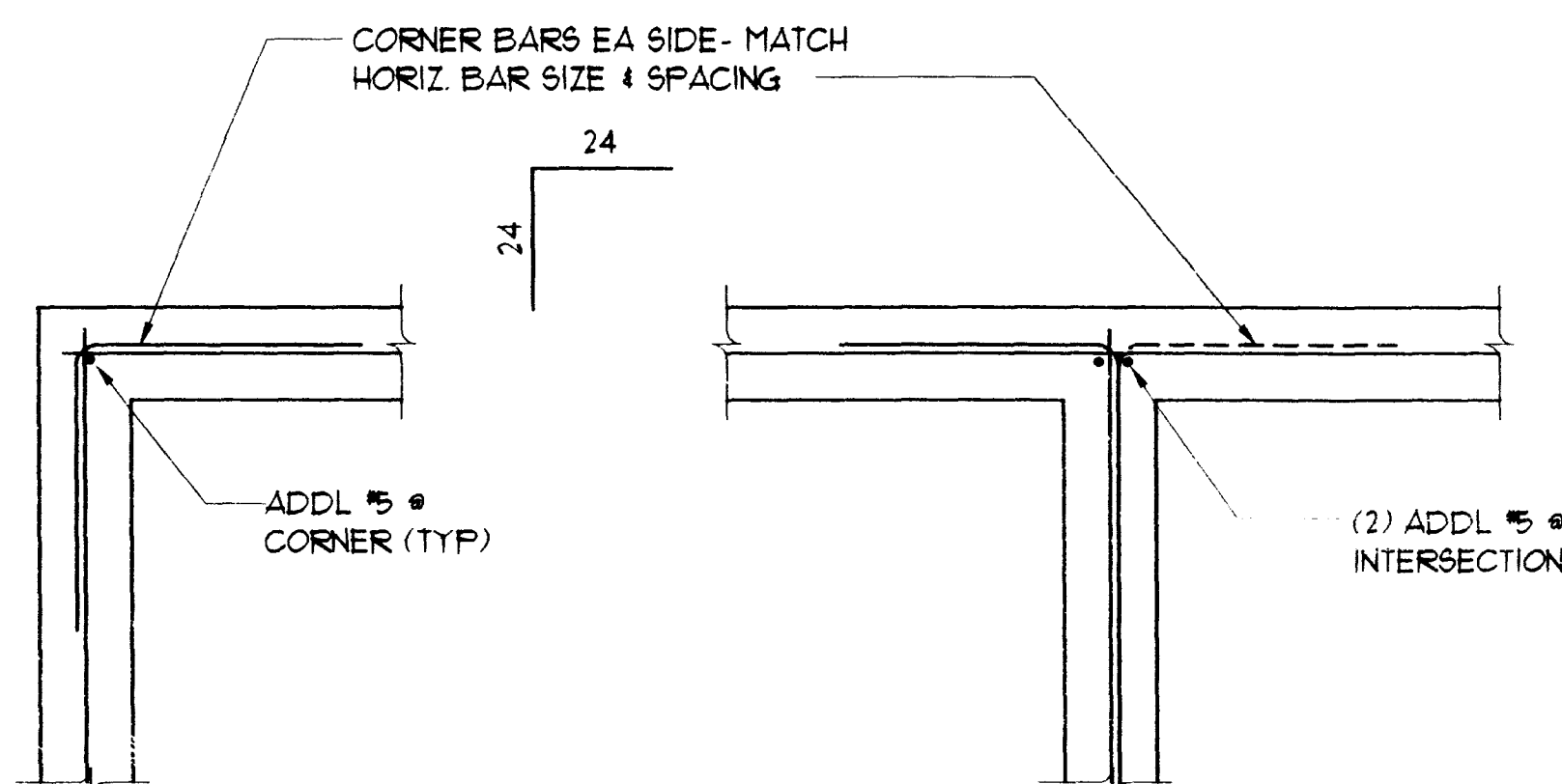
STEEL LINTELS

MASONRY LINTEL

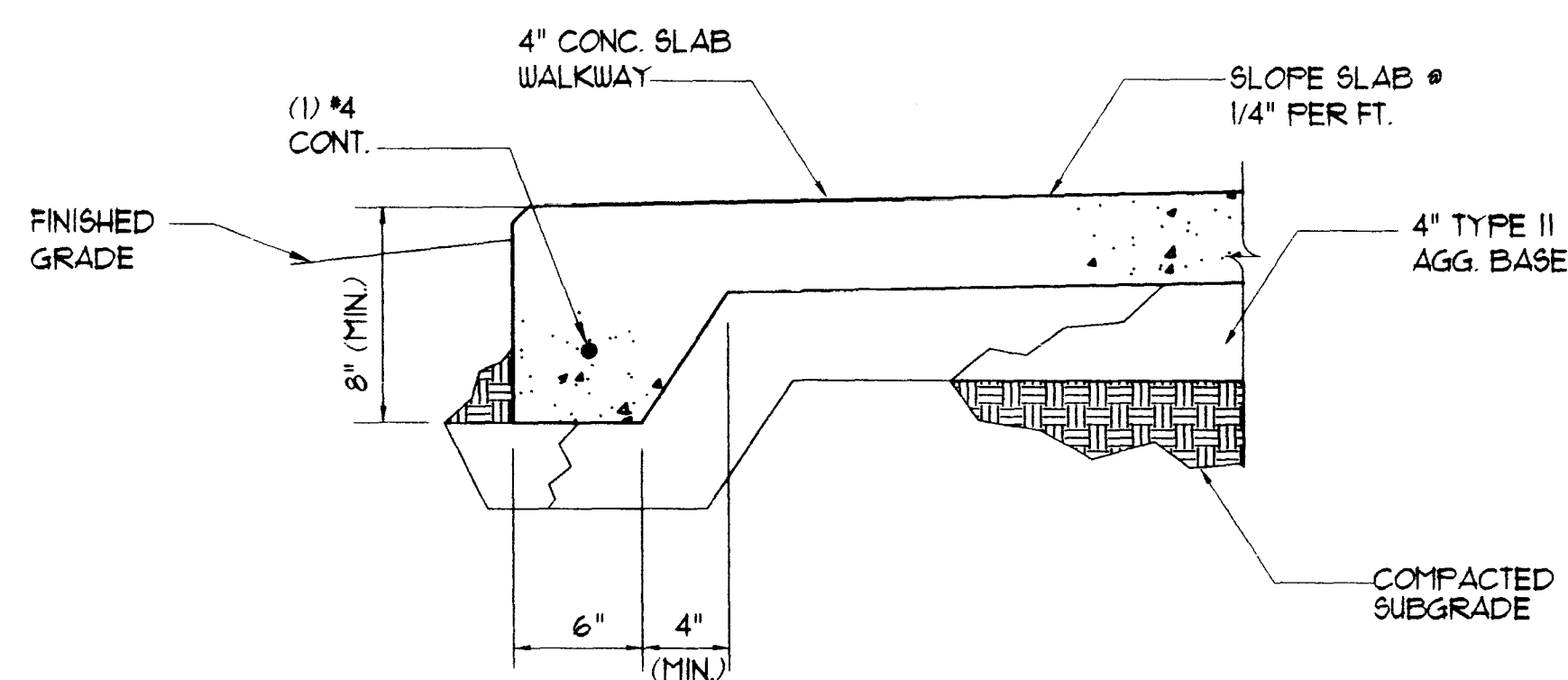


5 Additional Masonry Reinf.
Scale: 3/4" = 1'-0"

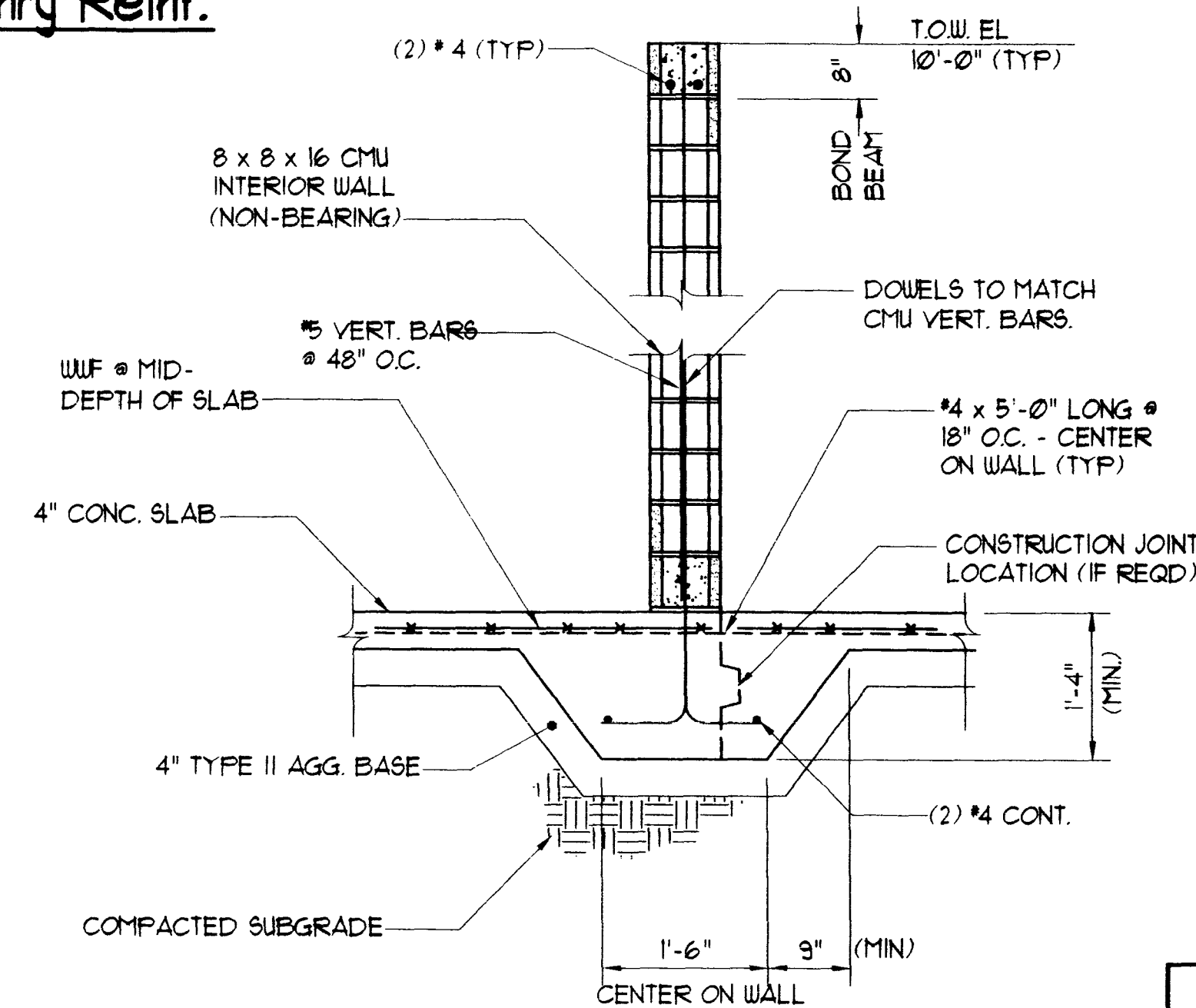
4 Details @ Steel Lintel Beams
Scale: 1-1/2" = 1'-0"



6 Horiz. Concrete Reinf. in Stem Walls
Scale: 3/4" = 1'-0"

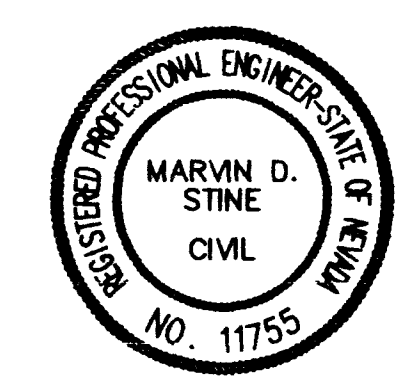


G Section @ Turn-Down Slab
Scale: 1-1/2" = 1'-0"



H Section @ CMU Non-Bearing Wall
Scale: 3/4" = 1'-0"

DATE:	
REVISIONS:	
DRAWN BY: MDS	DESIGN BY: MDS
DATE: 07/97	
SCALE: SHOWN	
FLD. BK.	
PROJECT:	ARCHITECTURAL SERVICES
SHEET TITLE:	ARCHITECTURAL SERVICES
DEPARTMENT OF PUBLIC WORKS	
Gowan Soccer Field Complex - Toilet Bldg.	
Sections & Details	
SHEET NO.	675-V31
DRAWING NO.	45
GTB1495	57
675-V31	

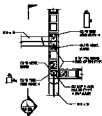




Detail 1 - CSI Cover Column
 1/2" x 1/2" x 1/2"



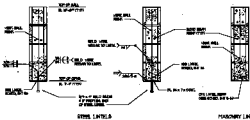
Detail 2 - CSI Column
 1/2" x 1/2" x 1/2"



Detail 3 - CSI Ball Column
 1/2" x 1/2" x 1/2"



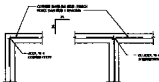
Elevation
 1/2" x 1/2" x 1/2"



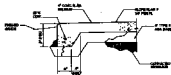
Detail 4 - Steel Lintel Detail
 1/2" x 1/2" x 1/2"



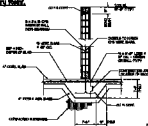
Additional Masonry Reinft.
 1/2" x 1/2" x 1/2"



Horizontal Concrete Reinft. in Steel
 1/2" x 1/2" x 1/2"



Section - Turn-Down Rib
 1/2" x 1/2" x 1/2"



Section - CSI Non-Bearing Wall
 1/2" x 1/2" x 1/2"

PROJECT NO.	DATE	SCALE	
PROJECT NAME	ARCHITECT	DATE	
DEPARTMENT OF PUBLIC WORKS Corona Recovery Field Complex - Toilet Bldg.			
Section 4 Details			