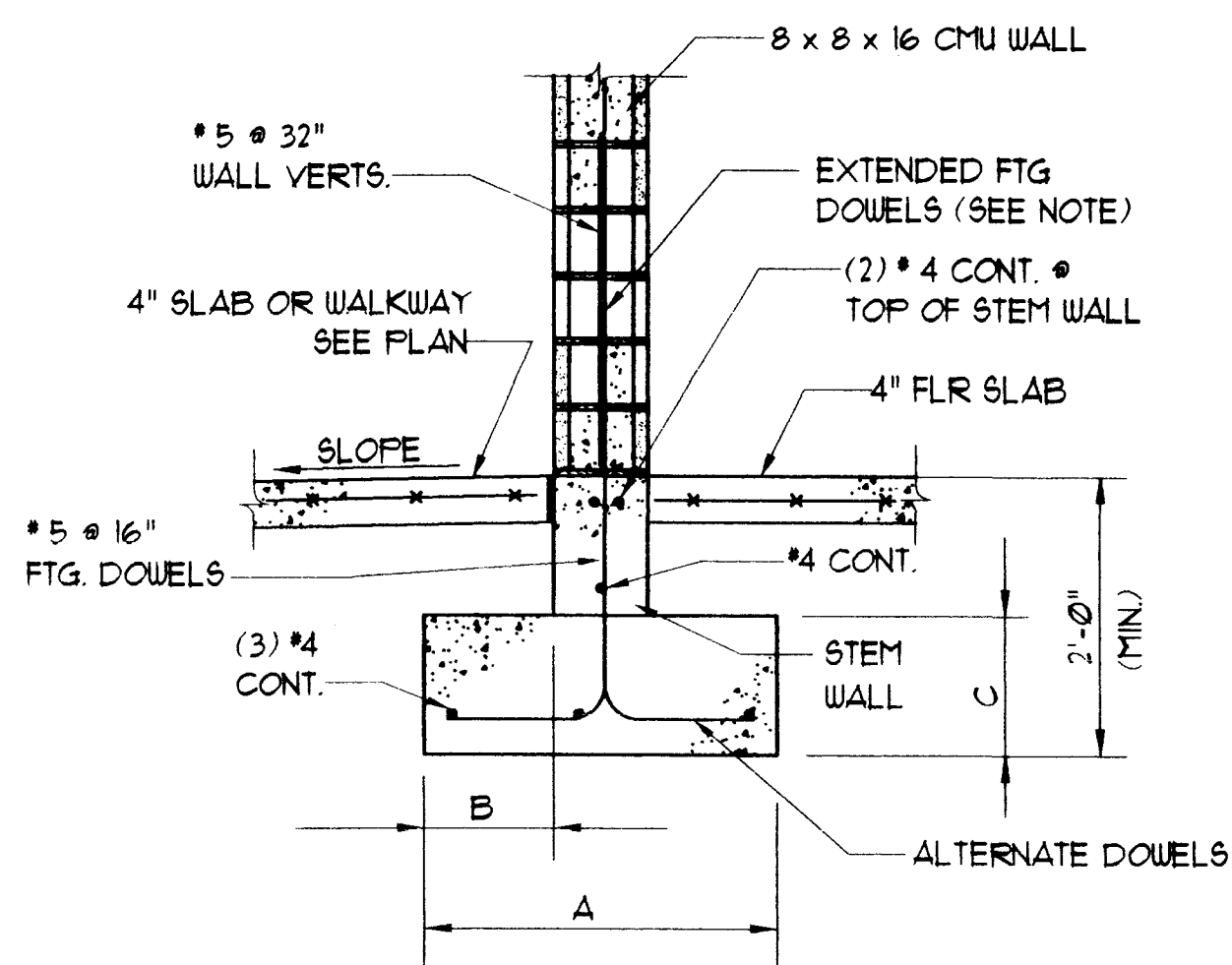


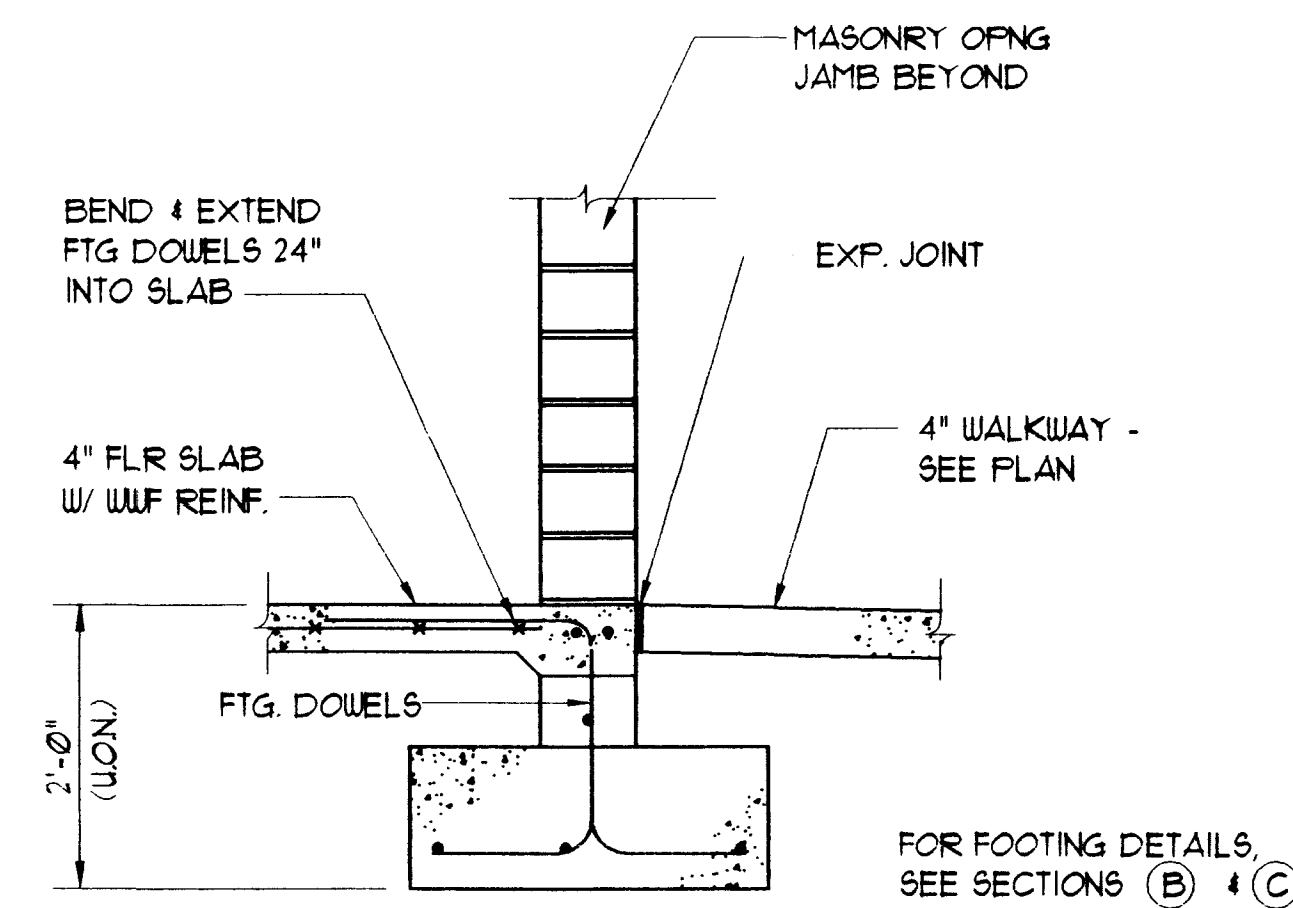
**A** Section @ CMU Column  
Scale: 3/4" = 1'-0"

WALL FOOTING SCHEDULE					
SECT.	A	B	C	WALL VERTS.	FTG. DOUELS
(B)	2'-0"	8"	12"	#5 @ 32"	#5 @ 16"
(C)	1'-9"	6 1/2"	12"	#5 @ 32"	#5 @ 16"

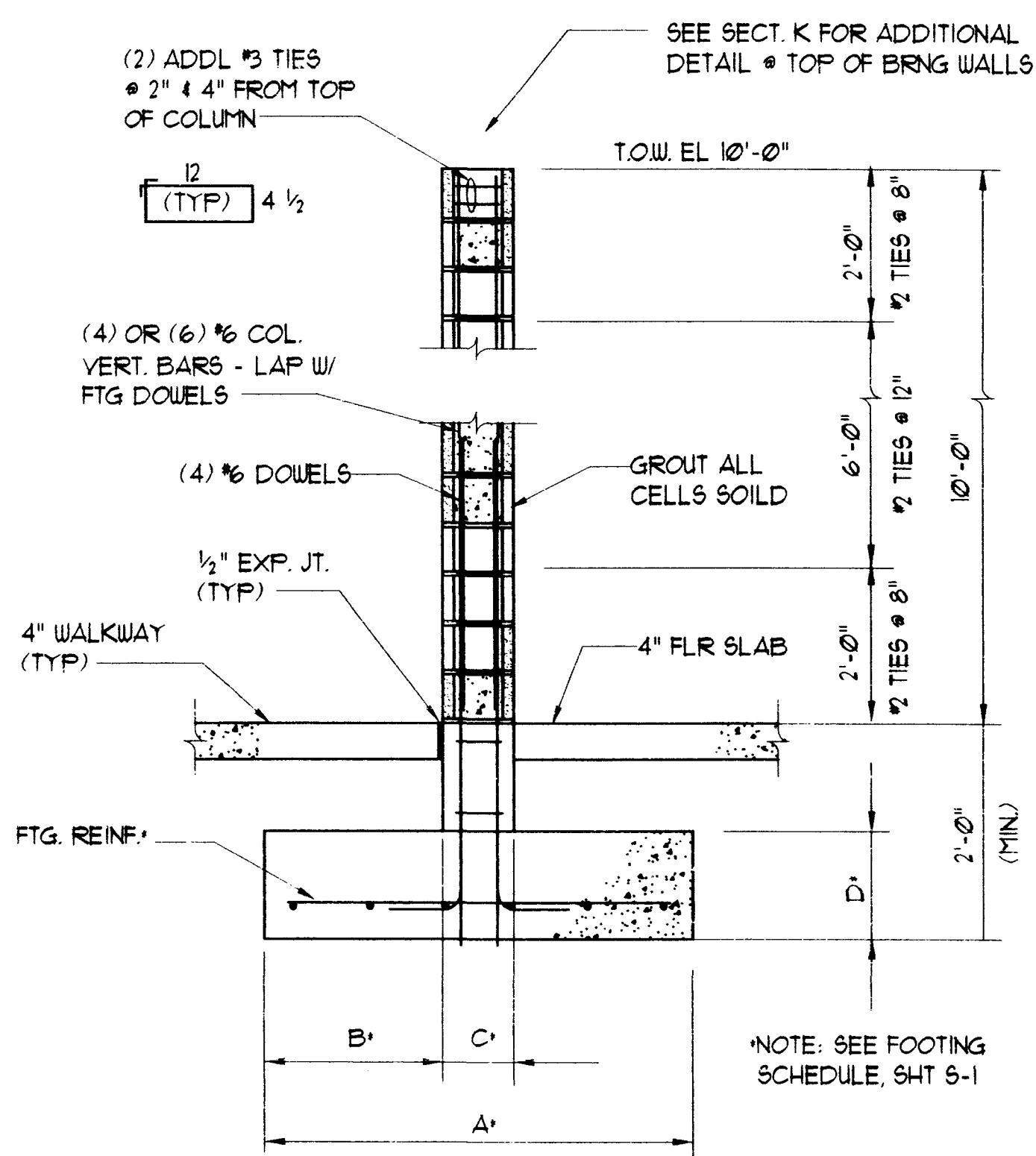
NOTE: EXTEND EVERY 2ND FTG DOUWL 24" INTO WALL TO MATCH & LAP WITH WALL VERTICAL BARS.



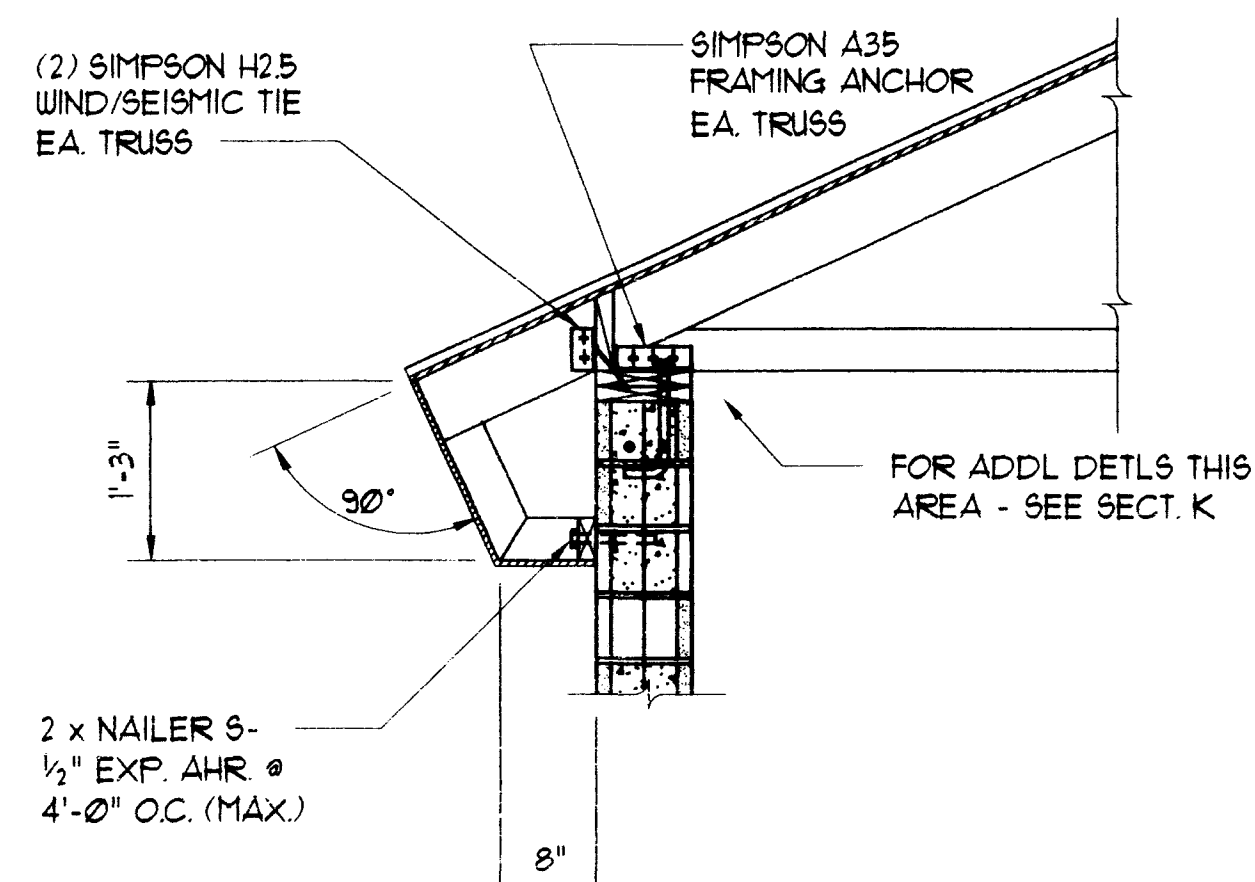
**B** **C** Section @ CMU Wall Footing  
Scale: 3/4" = 1'-0"



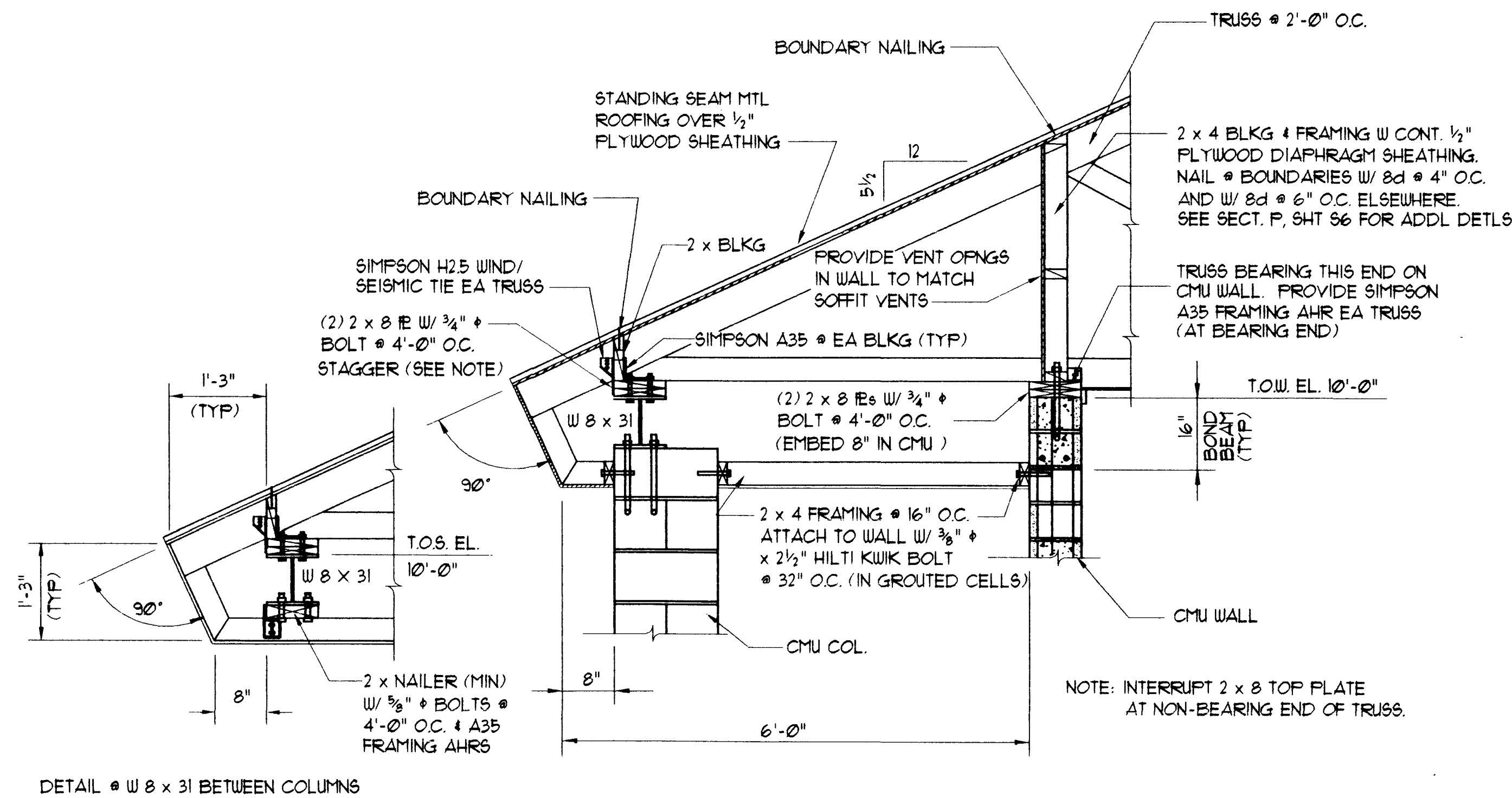
**E** Section @ Door Openings  
Scale: 3/4" = 1'-0"



**F** Section @ Wall Column  
Scale: 3/4" = 1'-0"



**J** Section @ Roof Truss  
Scale: 3/4" = 1'-0"



**K** Section @ Roof Truss/Beam  
Scale: 3/4" = 1'-0"

DATE: \_\_\_\_\_  
 REVISIONS: \_\_\_\_\_  
 DRAWN BY: MDS  
 DESIGN BY: MDS  
 U.S.A. DATE: 07/91  
 FLOT SCALE: 9/16" = 1'-0"  
 FLD. BK. \_\_\_\_\_  
 ARCHITECTURAL SERVICES  
 DEPARTMENT OF PUBLIC WORKS  
 Gowan Soccer Field Toilet Bldg.  
 Sections  
 SHEET TITLE: \_\_\_\_\_  
 SHEET NO. \_\_\_\_\_  
 S4  
 675-V31  
 DRAWING NO. 44  
 GTB364  
 675-V31  
 57

