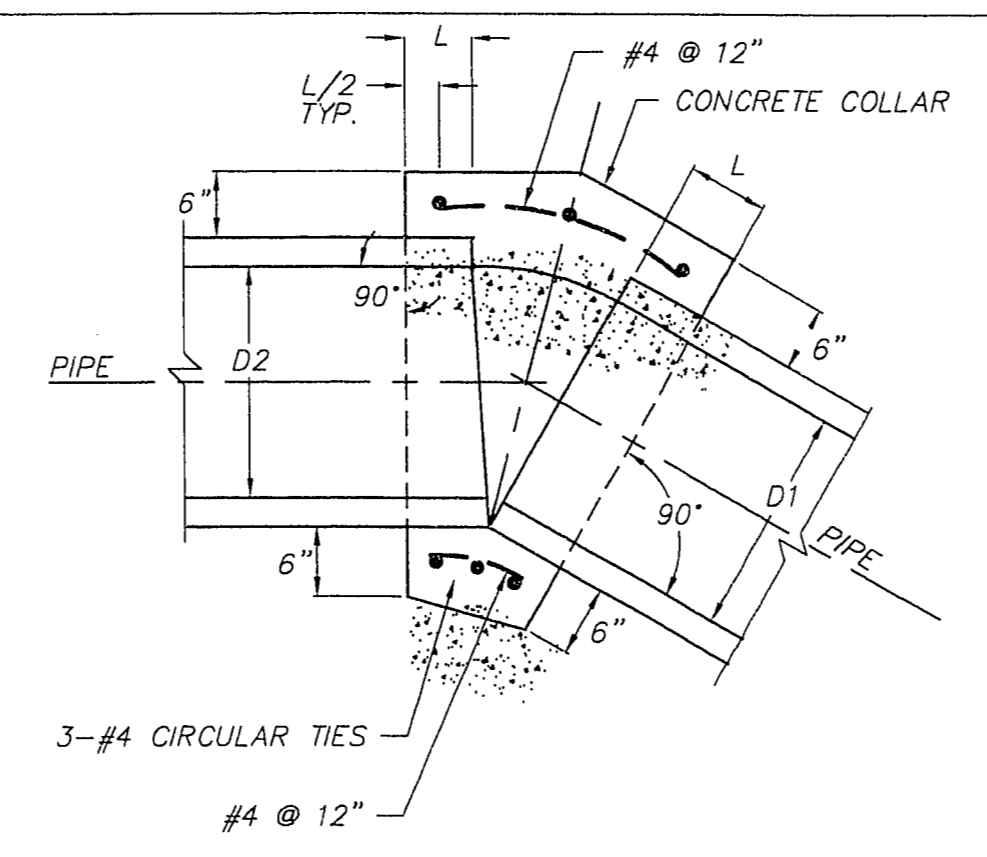
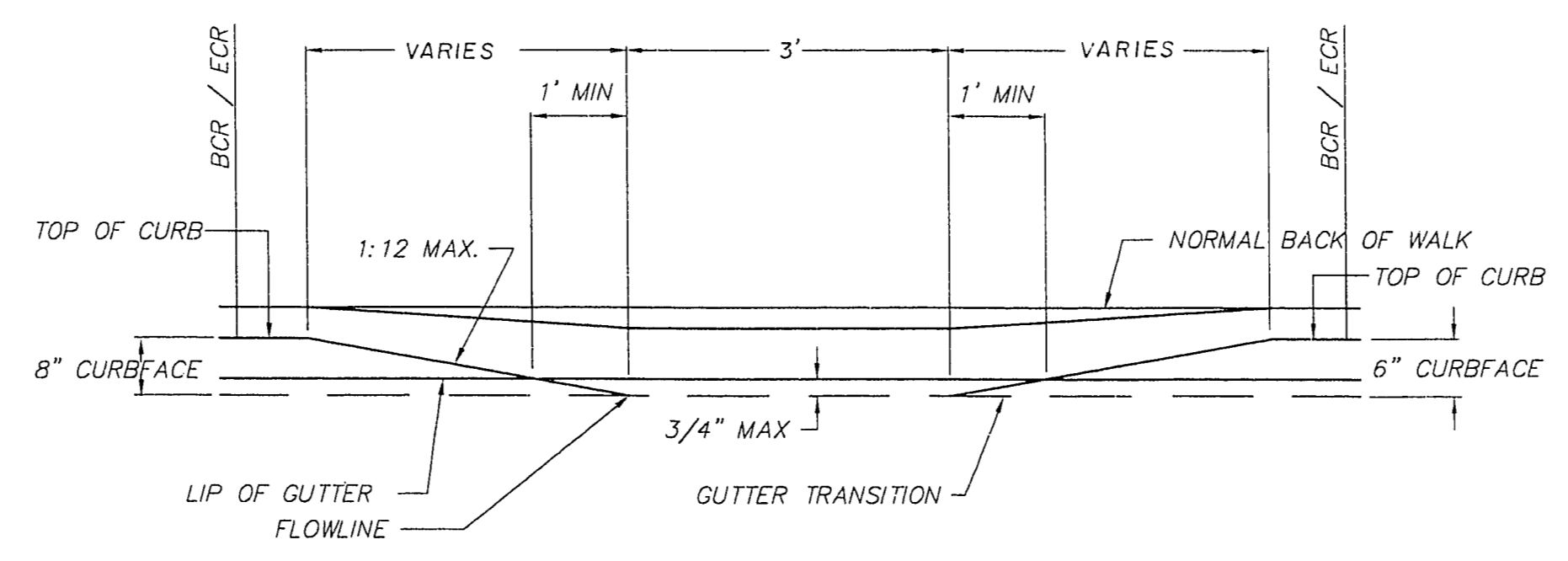


**1** MONOLITHIC WEIR BOX - JUNCTION STRUCTURE  
N.T.S.



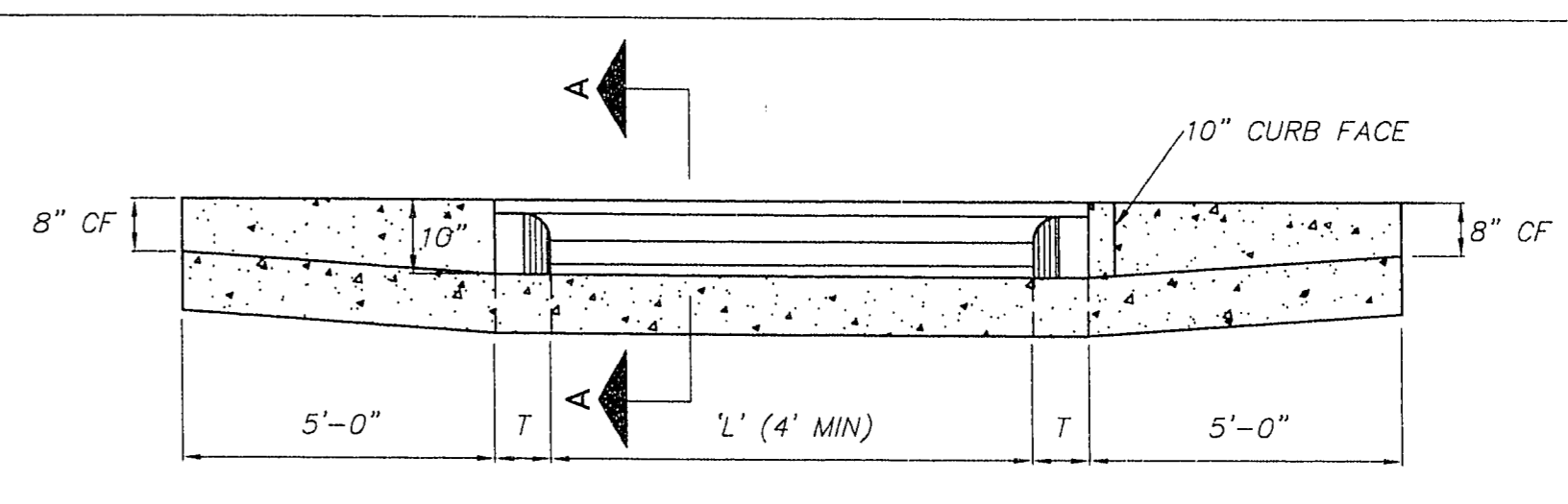
- NOTES:**
1. A CONCRETE COLLAR IS REQUIRED WHERE THE CHANGE IN ALIGNMENT OR GRADE EXCEEDS THAT ALLOWED FOR ORDINARY JOINT.
  2. L=12" FOR PIPES 24" OR LESS AND L=18" FOR PIPES 27" TO 39".
  3. OMIT REINFORCING ON PIPES 24" OR LESS IN DIAMETER.
  4. WHERE REINFORCING IS REQUIRED, THE DIAMETER OF CIRCULAR TIES SHALL BE  $D = (2 \times \text{WALL THICKNESS}) + 8"$ .
  5. NOT TO BE USED FOR A SIZE CHANGE ON THE MAINLINE.

**2** CONCRETE COLLAR  
N.T.S.

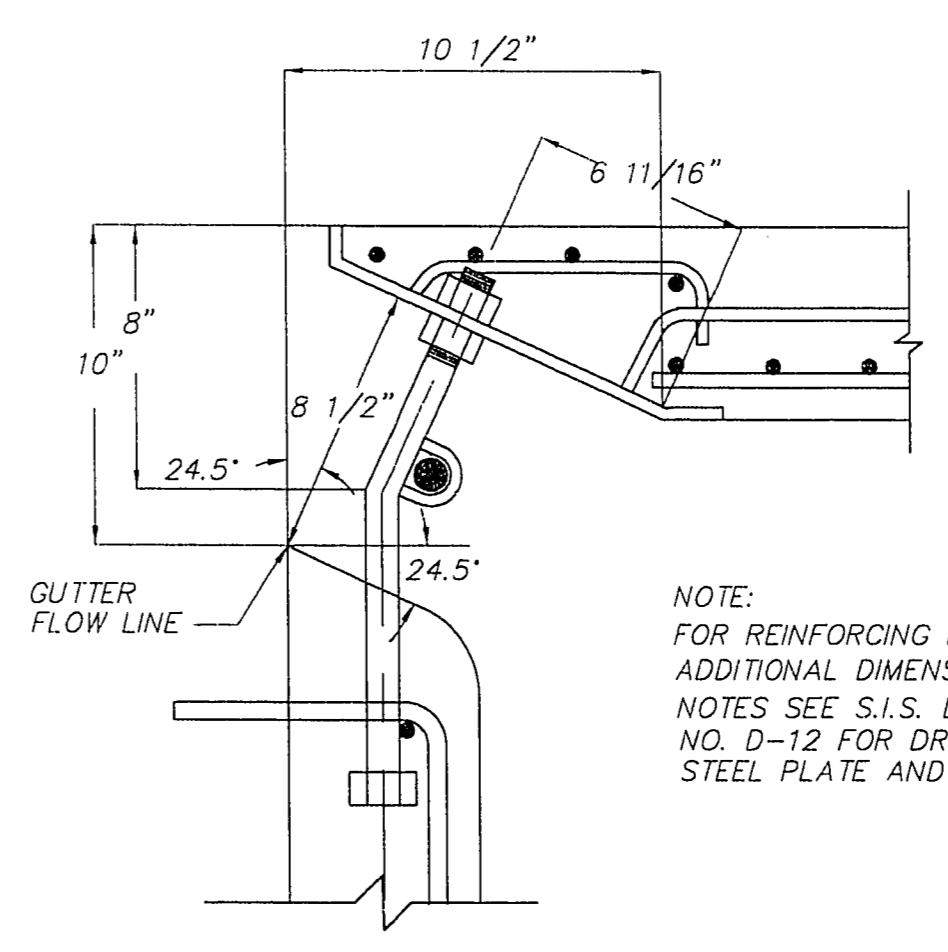


- NOTES:**
1. CONSTRUCT CURB AND GUTTER ONLY.
  2. 6" CURB TO 8" CURB TRANSITIONS WILL OCCUR AS DIMENSIONED ABOVE THROUGH CURB RETURN.
  3. FOR ADDITIONAL INFORMATION SEE SUMMERLIN STANDARD DRAWING FOR SIDEWALK RAMP S-77 CASE I.

**3** DEPRESSED CURB  
N.T.S.

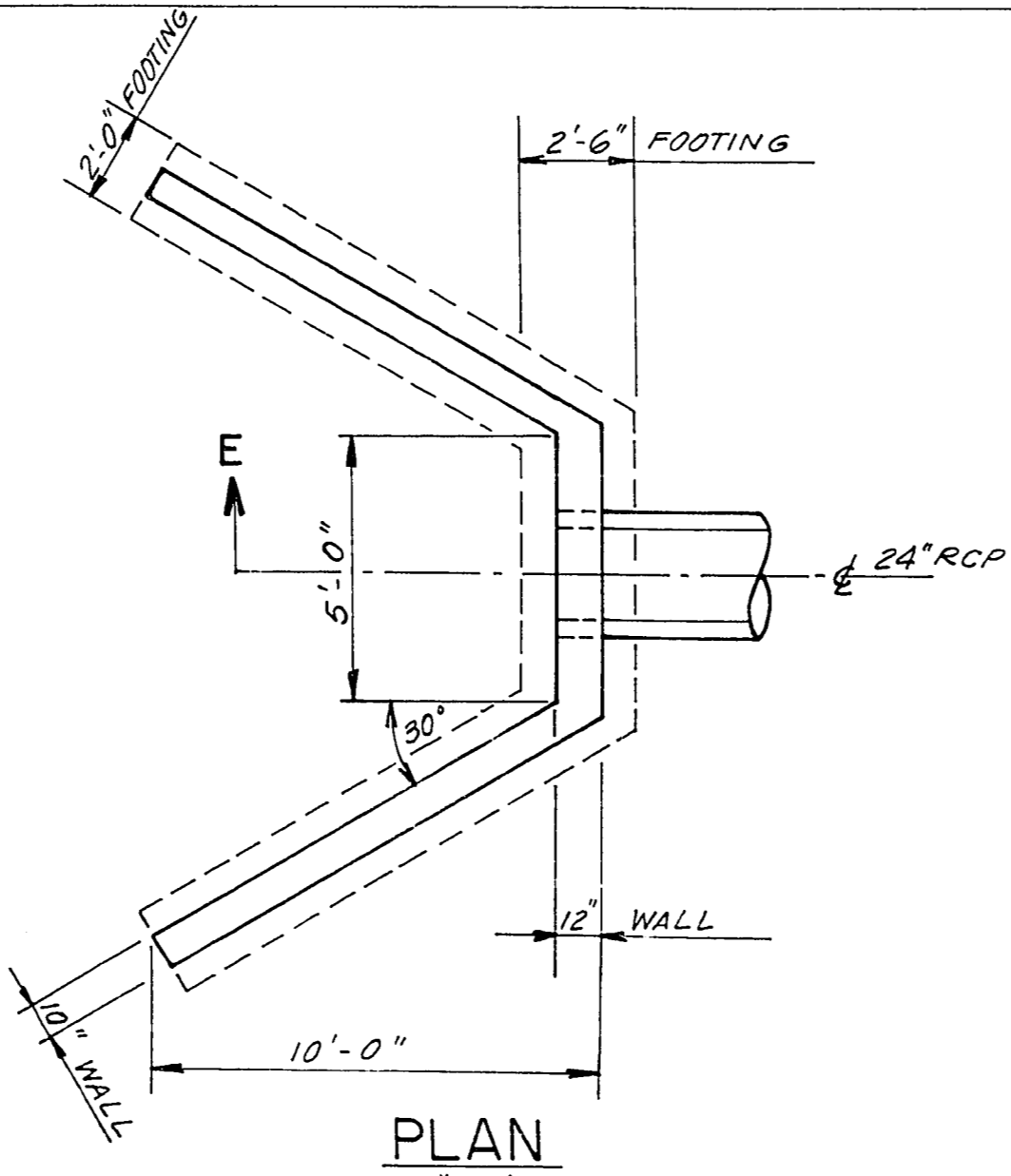


**7** TYPE "A" DROP INLET  
8" TO 10" CURB FACE OPENING  
N.T.S.

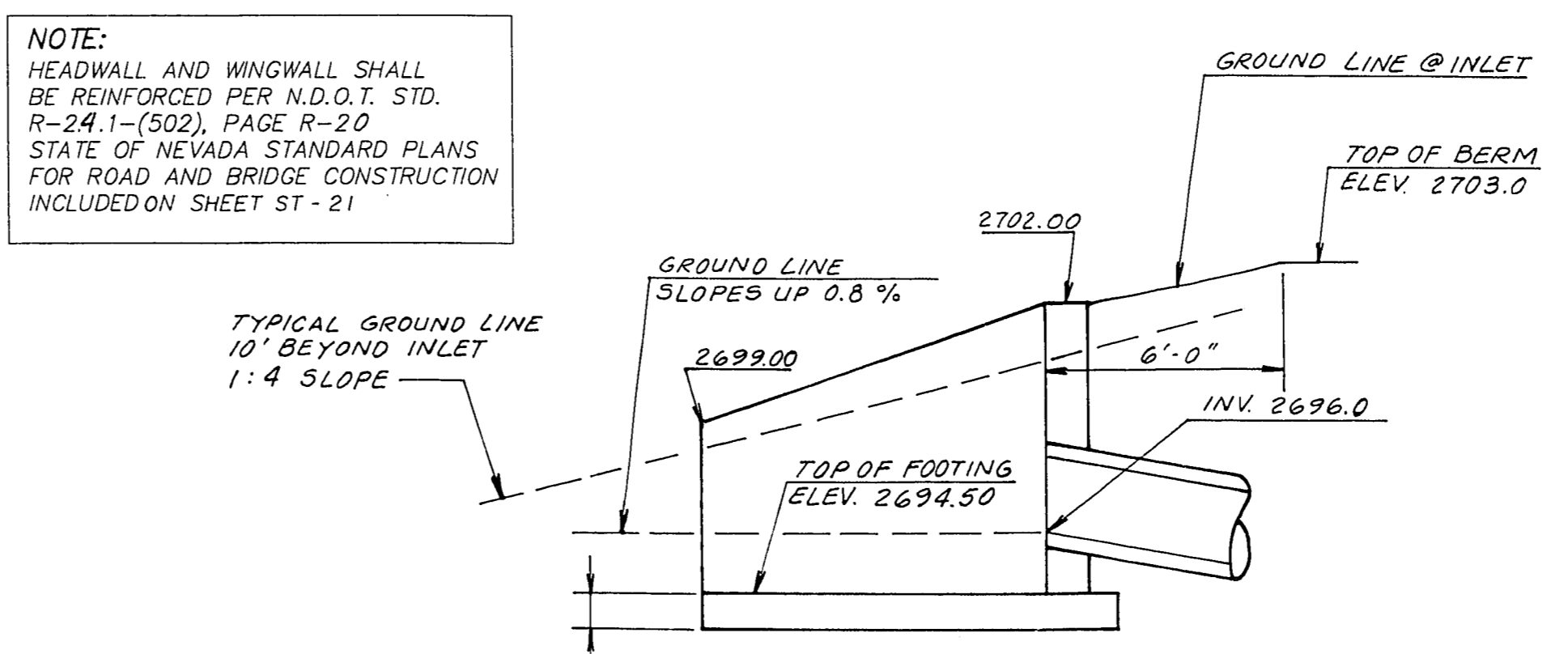


- NOTE:**  
FOR REINFORCING DETAILS, ADDITIONAL DIMENSIONING AND NOTES SEE S.I.S. DRAWING NO. D-12 FOR DROP INLET STEEL PLATE AND PROTECTION BAR

**SECTION A-A**  
N.T.S.



**5** CONCRETE HEADWALL AND WINGWALL DETAILS  
N.T.S.



**SECTION E**  
1" = 4"

REVISIONS

NO.	DATE	DESCRIPTION
1	10/22/92	60% COMPLETION
2	10/22/92	90% COMPLETION
3	10/22/92	100% COMPLETION

4255 R.P.E. DATE

THE KEITH COMPANIES NEVADA

HOWARD HUGHES PROPERTIES  
SUMMERLIN VILLAGE 7 - THE TRAILS  
STORM DRAIN DETAILS

SHEET  
**ST-19**  
SHT 30 OF 69

1. COMP. 000 278519 Twp. Jun. 1 25 50 28 1993 SHEET 1-9. INTERCUT TO, S.D. 11 3. U.P. 486-5045  
 2. DESIGNER: C. J. W. 4/25/92 4 2 4 1.1 BY HAWKETT-PACKARD

11-1-32 3274-4271