

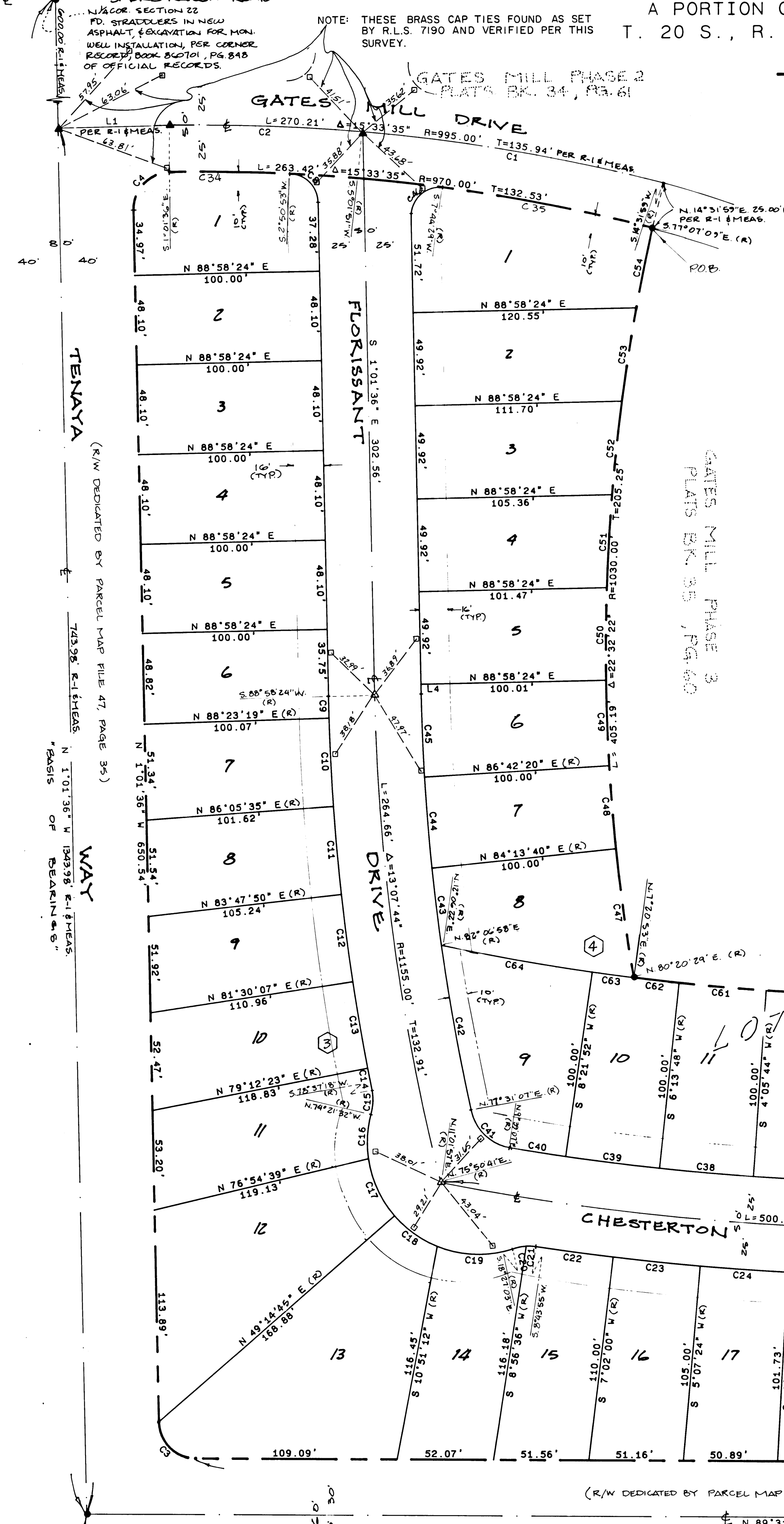
BOOK 880729

GATES MILL PHASE 4

00828

A PORTION OF THE N.W. 1/4, OF THE N.E. 1/4, OF SECTION 22,
T. 20 S., R. 60 E., M.D.M., CITY OF LAS VEGAS, STATE OF NEVADA

MONUMENTATION LOCATION PLAN



CURVE TABLE:

CURVE	ARC	DELTA	RADIUS	TAN LENGTH
C1	165.01	9°30'07"	995.00	82.70
C2	105.20	6°03'27"	995.00	52.65
C3	30.89	88°59'34"	25.00	15.48
C4	31.42	90°00'00"	20.00	20.00
C5	88.96	3°43'14"	1370.00	44.50
C6	31.04	69°44'18"	25.00	17.77
C7	55.52	53°01'02"	60.00	29.93
C8	23.30	86°07'31"	15.50	14.49
C9	12.05	0°35'06"	1180.00	6.02
C10	47.28	2°17'44"	1180.00	23.64
C11	47.28	2°17'44"	1180.00	23.64
C12	47.28	2°17'44"	1180.00	23.64
C13	47.28	2°17'44"	1180.00	23.64
C14	12.04	0°35'05"	1180.00	6.02
C15	12.03	27°01'11"	25.50	6.13
C16	24.97	23°50'53"	60.00	12.67
C17	34.06	32°38'50"	60.00	17.52
C18	28.47	27°10'57"	60.00	14.51
C19	42.43	40°30'48"	60.00	22.14
C20	6.82	15°18'51"	25.50	3.43
C21	5.28	11°52'06"	25.50	2.65
C22	42.09	1°41'55"	1420.00	21.05
C23	47.34	1°54'36"	1420.00	23.67
C24	47.34	1°54'36"	1420.00	23.67
C25	47.34	1°54'36"	1420.00	23.67
C26	47.34	1°54'36"	1420.00	23.67
C27	47.34	1°54'36"	1420.00	23.67
C28	47.34	1°54'36"	1420.00	23.67
C29	47.34	1°54'36"	1420.00	23.67
C30	21.43	0°51'52"	1420.00	10.71
C31	12.10	27°10'58"	25.50	6.17
C32	36.31	1°31'06"	1370.00	18.15
C33	51.04	2°08'04"	1370.00	25.52
C34	65.60	3°52'24"	110.00	32.81
C35	114.18	6°41'30"	578.00	57.66
C36	51.04	2°08'04"	1370.00	25.52
C37	51.04	2°08'04"	1370.00	25.52
C38	51.04	2°08'04"	1370.00	25.52
C39	51.04	2°08'04"	1370.00	25.52
C40	30.79	1°17'16"	1370.00	15.40
C41	30.20	87°52'00"	25.50	13.16
C42	90.67	4°35'51"	1130.00	45.36
C43	41.64	2°06'42"	1130.00	20.82
C44	48.87	2°28'40"	1130.00	24.44
C45	44.73	2°16'04"	1130.00	22.37
C46	26.72	98°46'05"	25.50	18.07
C47	69.86	3°53'11"	1030.00	34.05
C48	44.54	2°28'40"	1030.00	22.27
C49	45.84	2°32'59"	1030.00	22.92
C50	49.94	2°46'41"	1030.00	24.98
C51	50.07	2°47'07"	1030.00	25.04
C52	50.32	2°47'58"	1030.00	25.17
C53	50.70	2°49'13"	1030.00	25.36
C54	43.91	2°26'32"	1030.00	21.96
C55	85.67	3°51'54"	1270.00	42.85
C56	47.31	2°08'04"	1270.00	23.66
C57	47.31	2°08'04"	1270.00	23.66
C58	47.31	2°08'04"	1270.00	23.66
C59	47.31	2°08'04"	1270.00	23.66
C60	47.31	2°08'04"	1270.00	23.66
C61	47.31	2°08'04"	1270.00	23.66
C62	24.78	1°07'05"	1270.00	12.39
C63	22.53	1°00'59"	1270.00	11.26
C64	82.94	3°44'30"	1270.00	41.48
C65	39.88	1°38'17"	1395.00	19.94
C66	460.72	18°55'22"	1395.00	232.48

LINE TABLE:

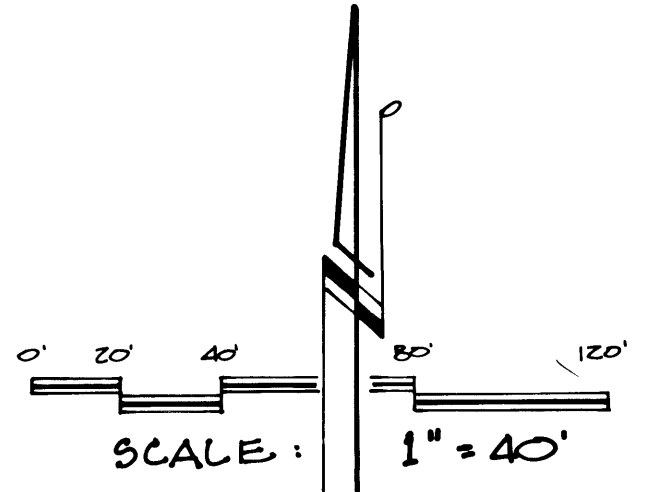
LINE	BEARING	DISTANCE
L1	N 88°58'24" E	60.00
L2	S 3°11'57" W	53.87
L4	N 1°01'36" W	5.07
L5	N 3°11'57" E	28.38
L6	N 3°11'57" E	25.48

LEGEND:

- FOUND 3/8" REBAR # PLASTIC CAP, R.L.S. 7190 PER R-1 UNLESS NOTED OTHERWISE.
- ▲ FOUND 3/8" REBAR # AL. CAP, R.L.S. 7190, PER R-1.
- * SET 3/8" REBAR # AL. CAP, R.L.S. 7190, WITH BRASS CAP TIES, "O"
- GATES MILL PHASE 3 PER PLATS BOOK 39, PAGE 60.
- L1 LINE NUMBER (SEE TABLE).
- C1 CURVE NUMBER (SEE TABLE).
- SET-BACK LINE (16' FRONT, 10' CORNER).
- T LOT NUMBER.
- BLOCK NUMBER.
- 2" BRASS CAP REFERENCE MONUMENT SET

NOTE: DIRECT VEHICULAR ACCESS TO TENAYA WAY & EUGENE AVENUE IS PROHIBITED FROM THE LOTS ADJUTING THESE STREETS.

* ALL MONUMENTS SET BY KENNETH L. KREEGER, P.L.S. 8305, PER CERTIFICATE OF AMENDMENT FILED WITH THE CITY OF LAS VEGAS, AND RECORDED IN BOOK 900319 AS INST. 00741 OFFICIAL RECORDS, CLARK COUNTY, NEVADA.



MONUMENTATION CERTIFICATE

I, KENNETH L. KREEGER, A PROFESSIONAL LAND SURVEYOR DULY REGISTERED IN THE STATE OF NEVADA, DO HEREBY CERTIFY THAT THE MONUMENTS HAVE BEEN SET AND THE TIE DISTANCES ESTABLISHED AS SHOWN HEREON.

THIS SURVEY WAS COMPLETED ON APRIL 16, 1990.

Kenneth L. Creeger
KENNETH L. KREEGER, P.L.S. NO. 8305

Kenneth L. Creeger

4-16-90

BOOK 40 4-16-90 PAGE 10
058-1515-4

CORRECTIONS TO MAP MADE BY D. BROWN, PHONE CALL 8-25-83, 9-3-86