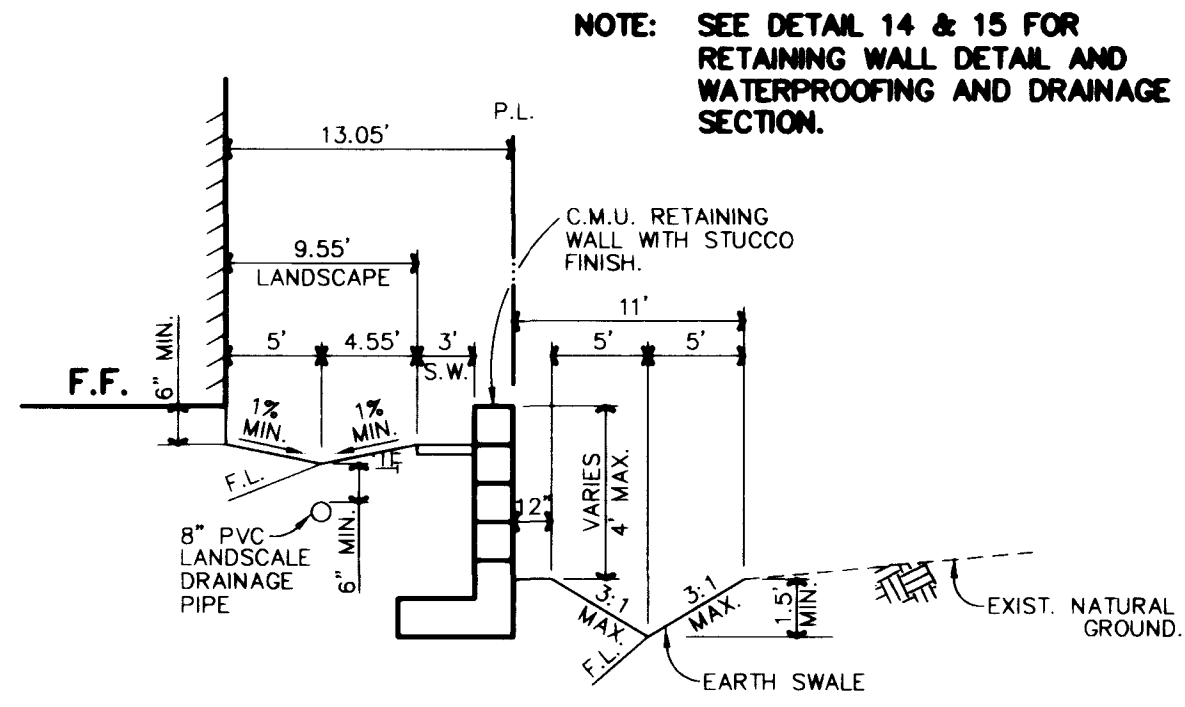


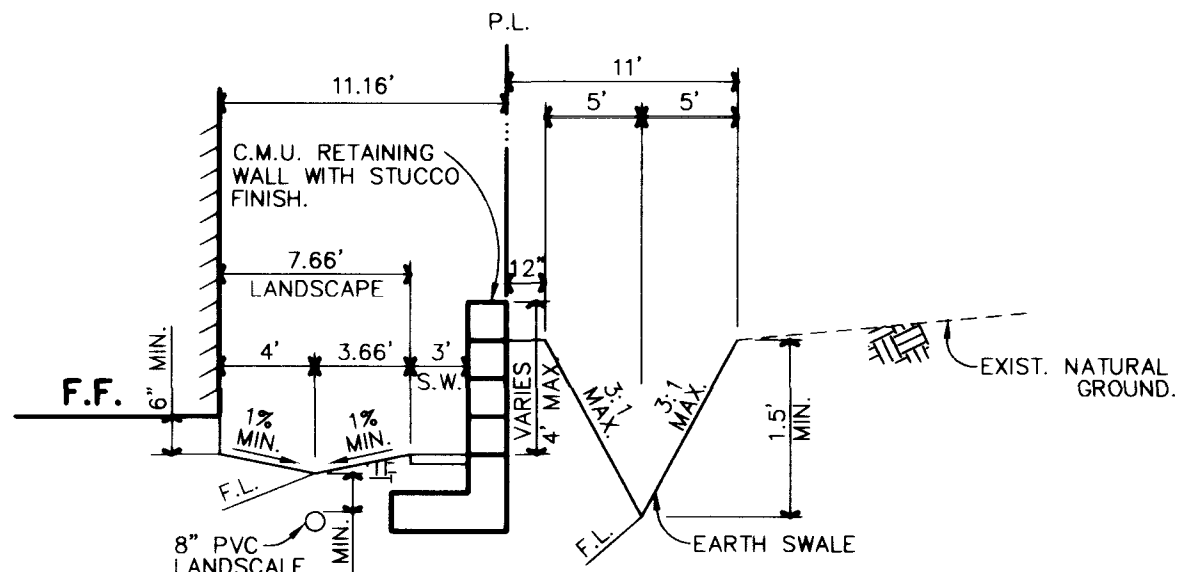
SCHEDULE			
H <sub>1</sub>	H <sub>2</sub>	W	A BARS
4'-0"	6'-0"	3'-6"	#4 @ 16" O.C.
3'-6"	6'-0"	3'-4"	#4 @ 16" O.C.
3'-0"	6'-0"	3'-0"	#4 @ 24" O.C.
2'-6"	6'-0"	2'-6"	#4 @ 24" O.C.
1'-0" TO 2'-0"	6'-0"	2'-3"	#4 @ 24" O.C.

- NOTE:**
1. GROUT ALL CELLS SOLID FOR HEIGHT "H<sub>1</sub>".
  2. OMIT MORTAR IN VERTICAL JOINTS OF BLOCK COURSE AT TOP OF FOOTING.
  3. BAR AND FOOTING SCHEDULE IS THE SAME FOR EITHER CONDITION.

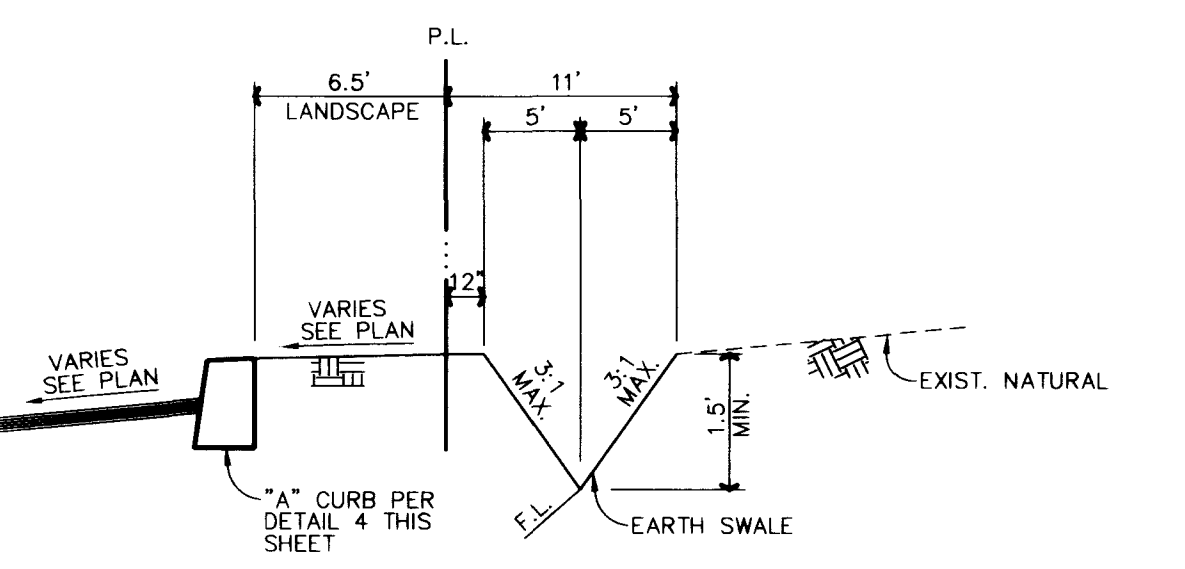
**14** RETAINING WALL DETAIL  
SCALE: N.T.S.



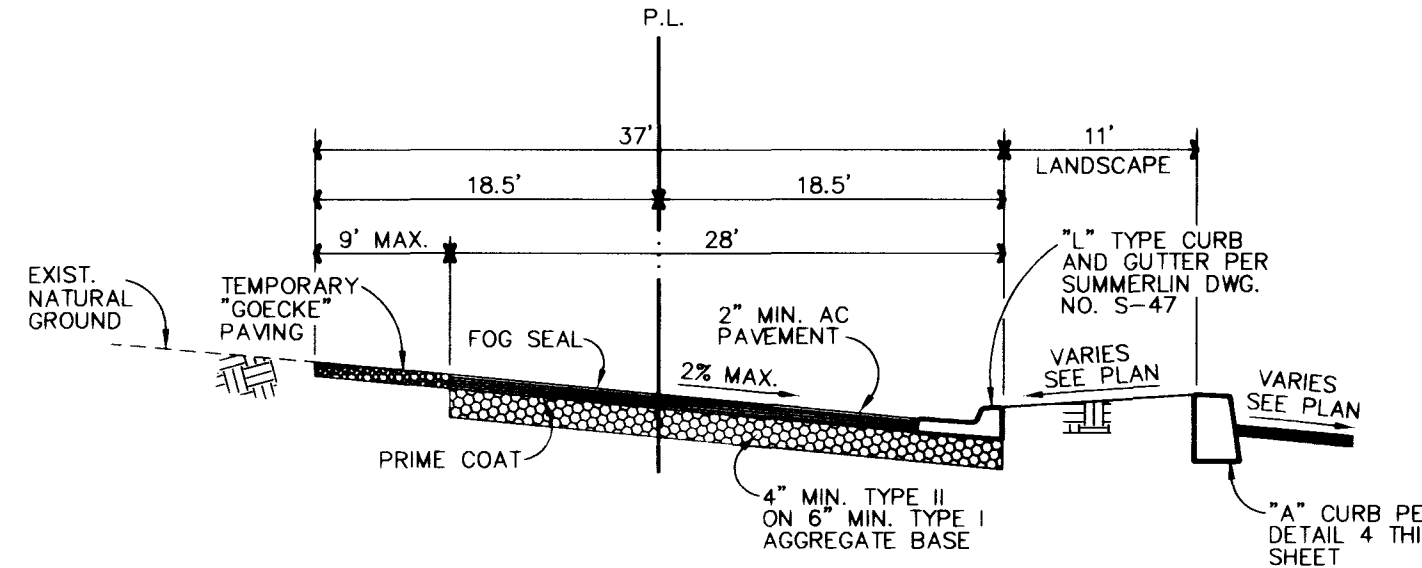
**9** TYPICAL SECTION  
SCALE: N.T.S.



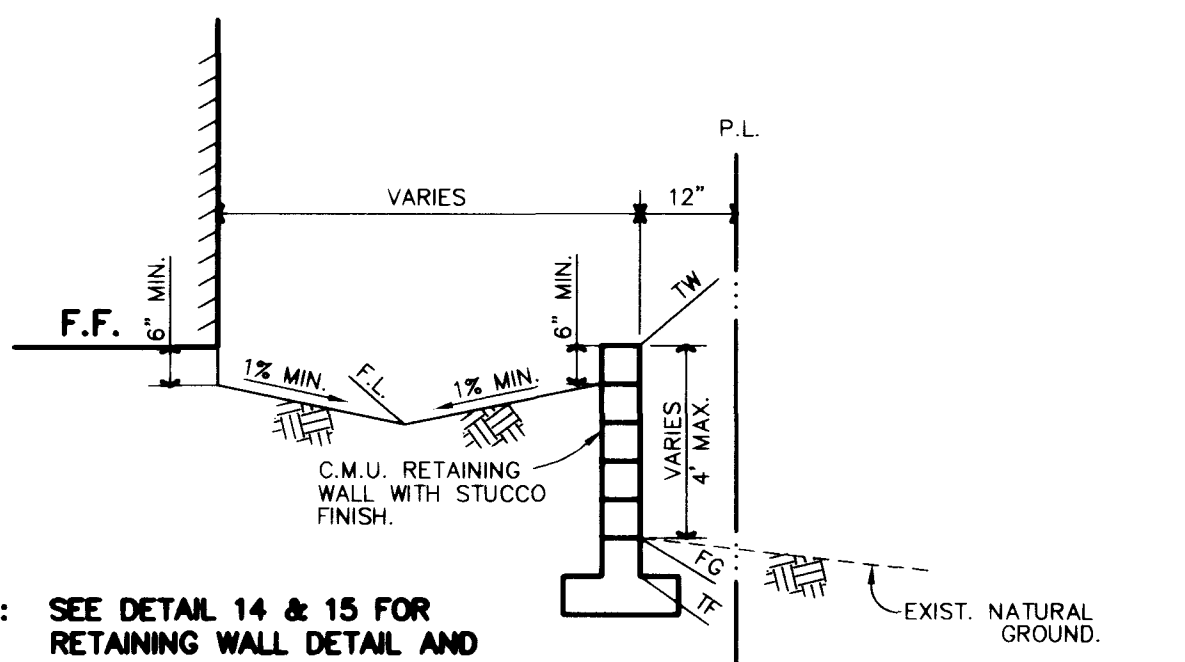
**10** TYPICAL SECTION  
SCALE: N.T.S.



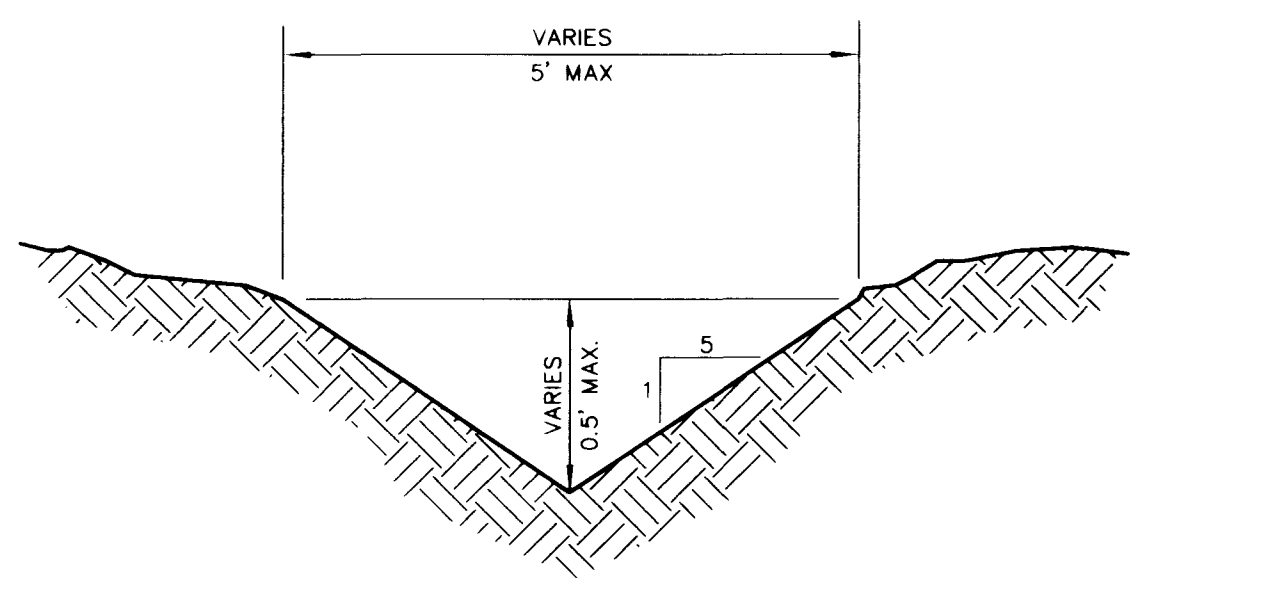
**11** TYPICAL SECTION  
SCALE: N.T.S.



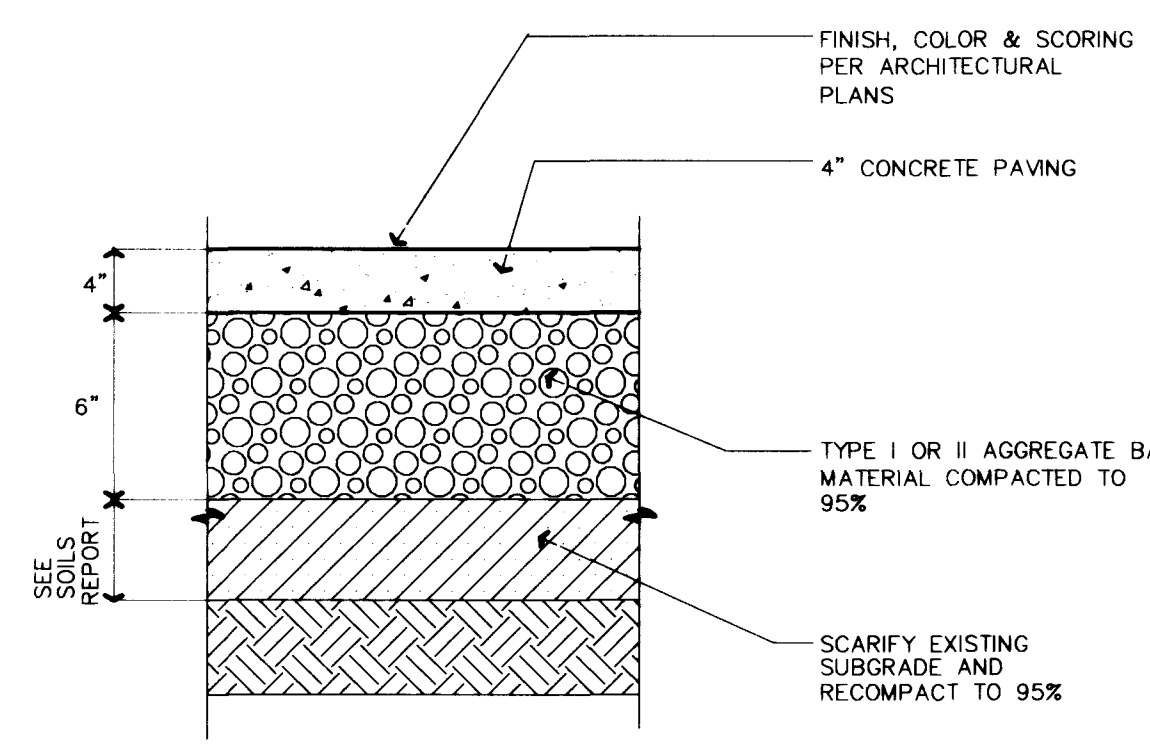
**12** TYPICAL SECTION  
SCALE: N.T.S.



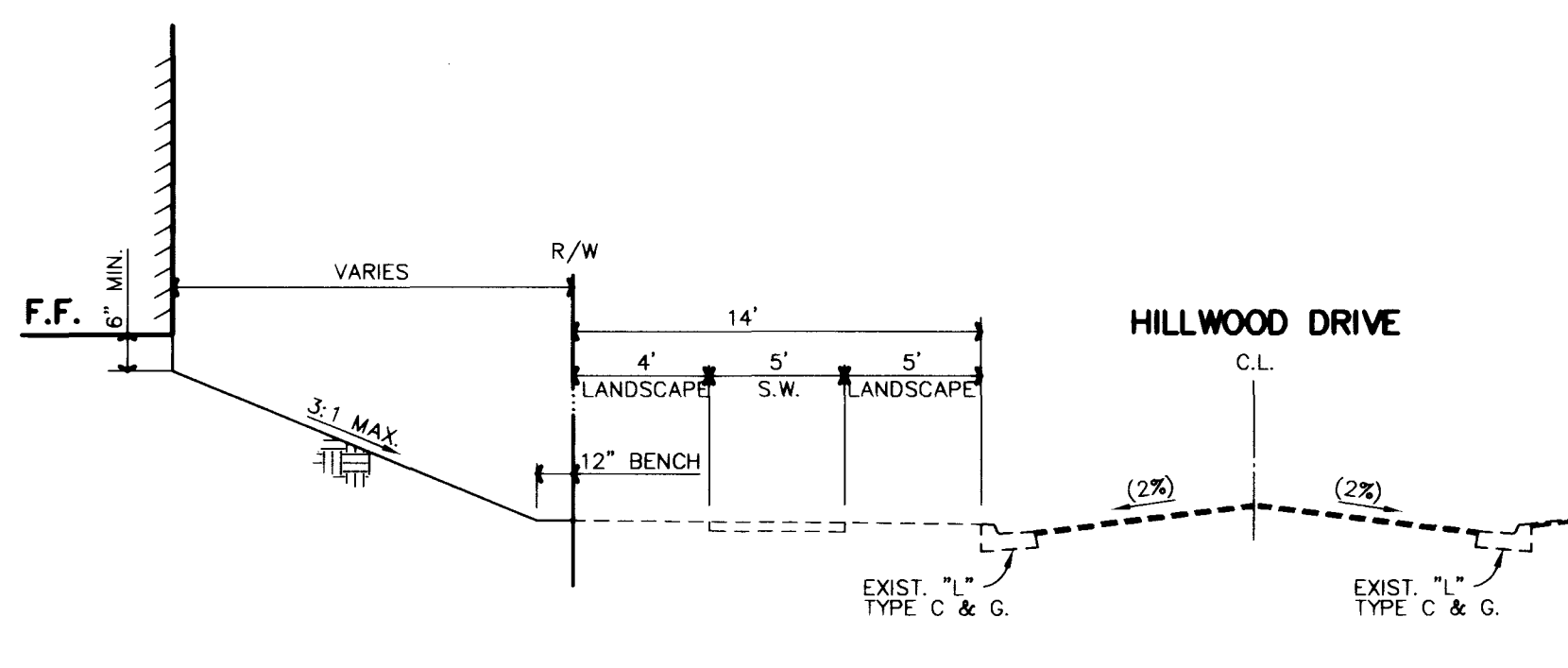
**13** TYPICAL SECTION  
SCALE: N.T.S.



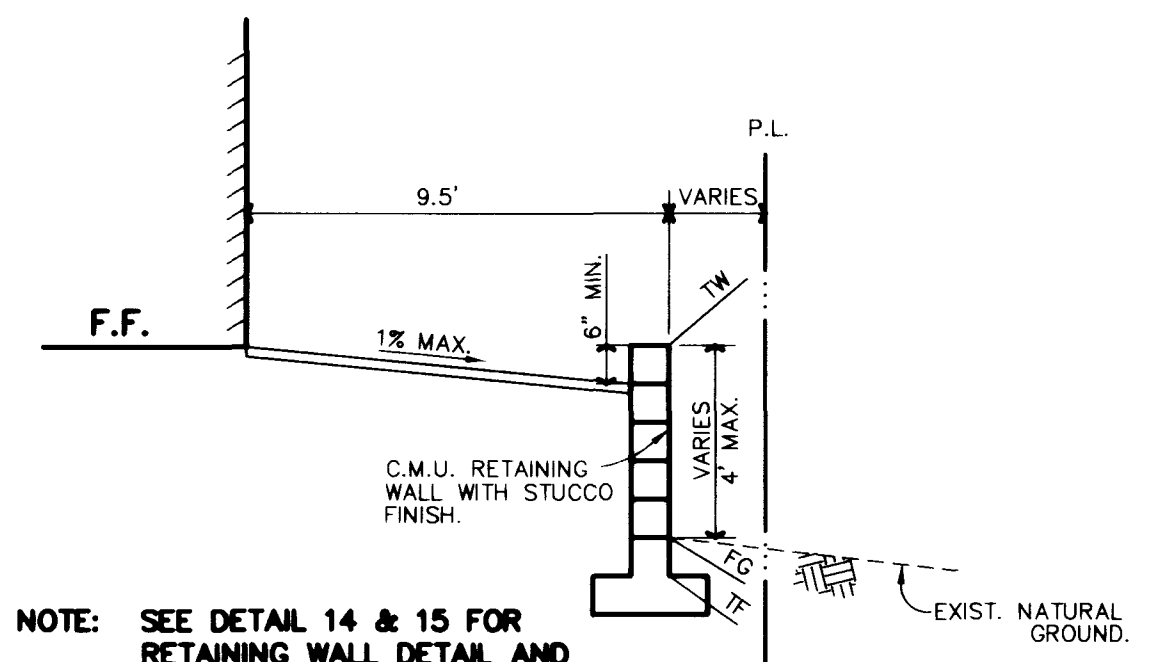
**5** 1' WIDE LANDSCAPE SWALE DETAIL  
SCALE: N.T.S.



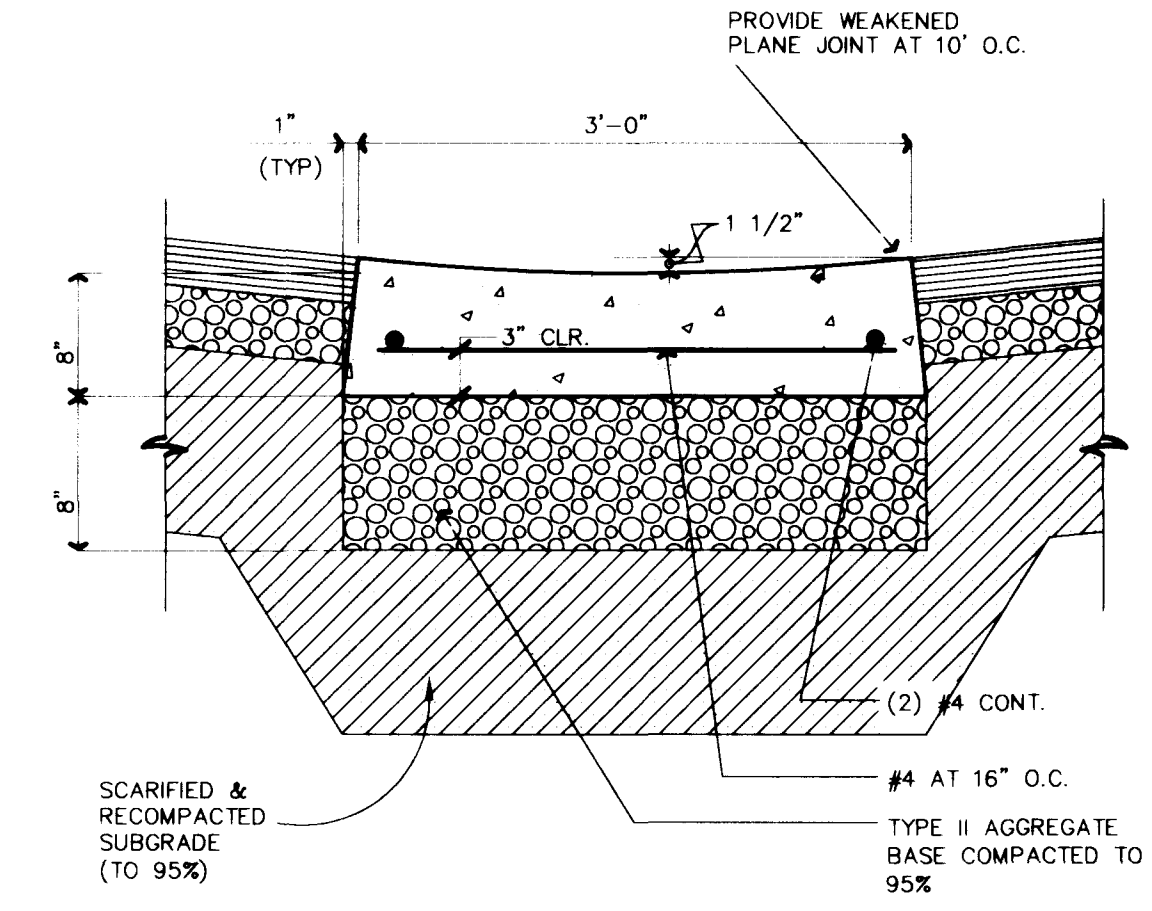
**6** TYPICAL CONCRETE SECTION  
SCALE: N.T.S.



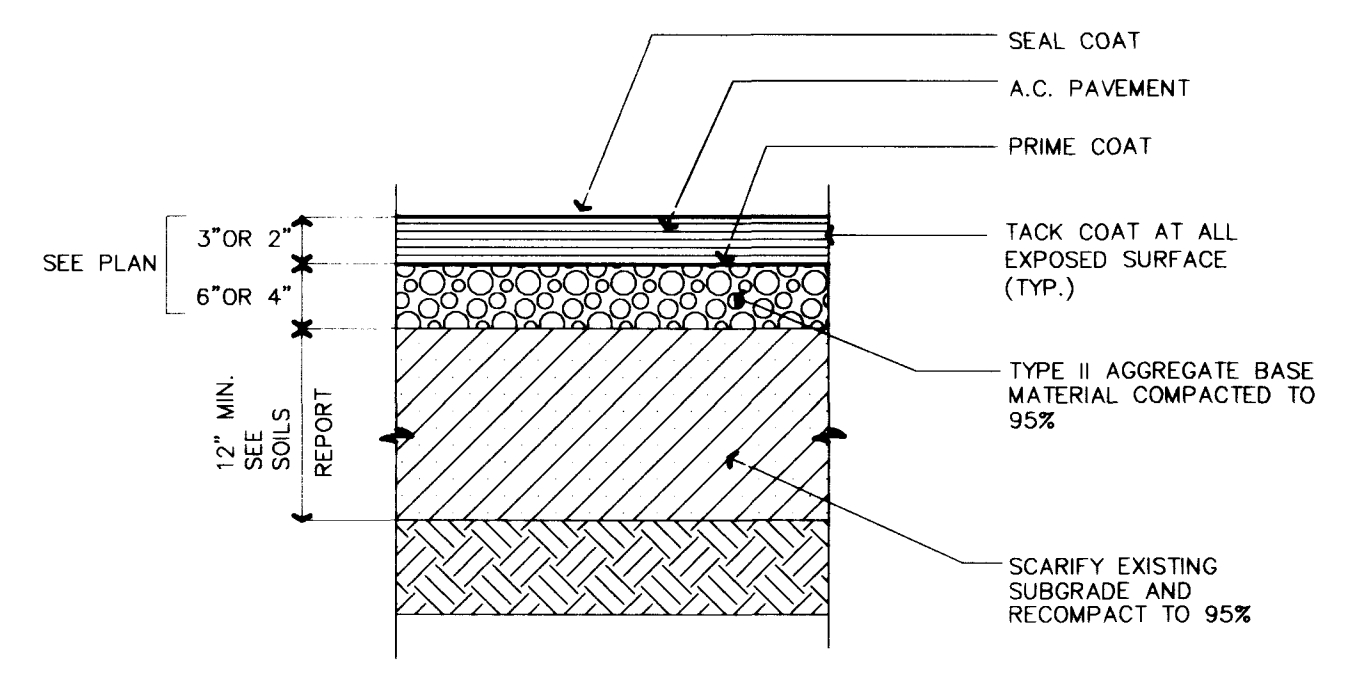
**7** TYPICAL SECTION  
SCALE: N.T.S.



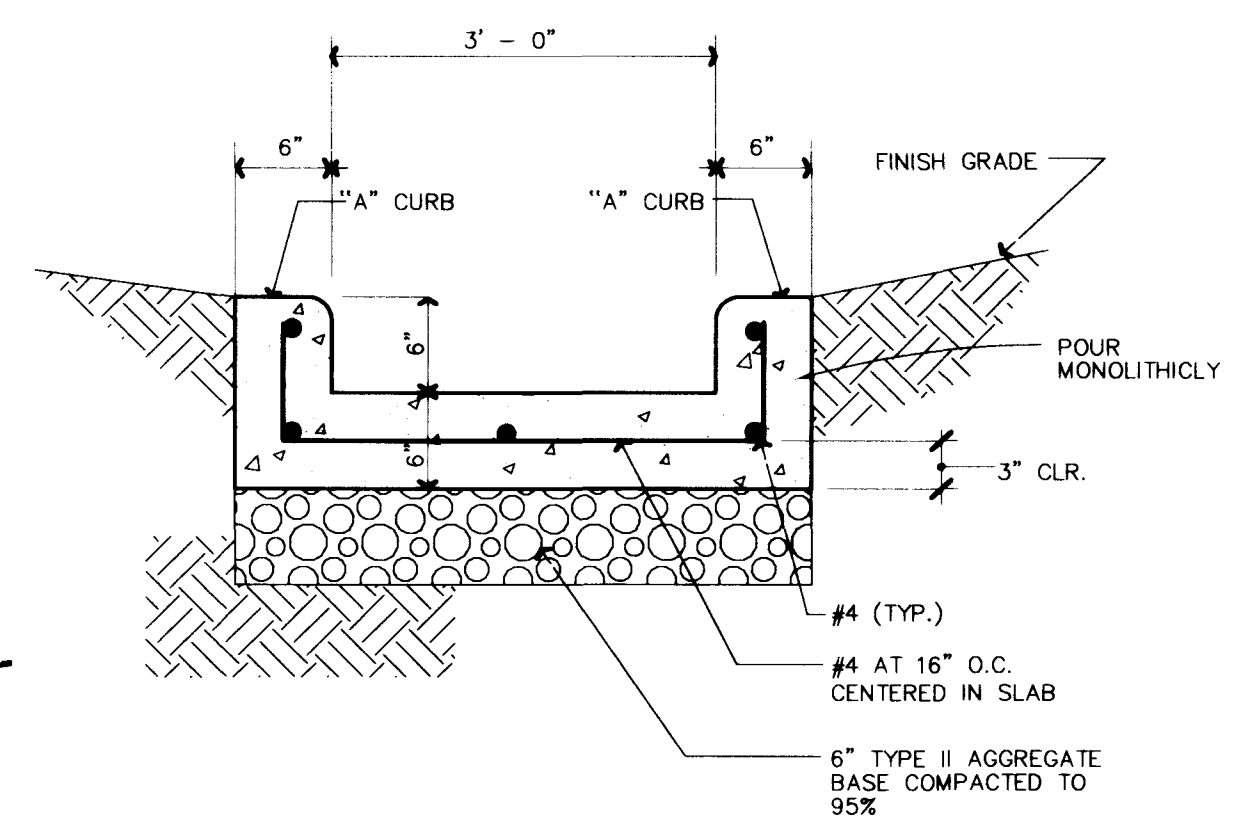
**8** TYPICAL SECTION  
SCALE: N.T.S.



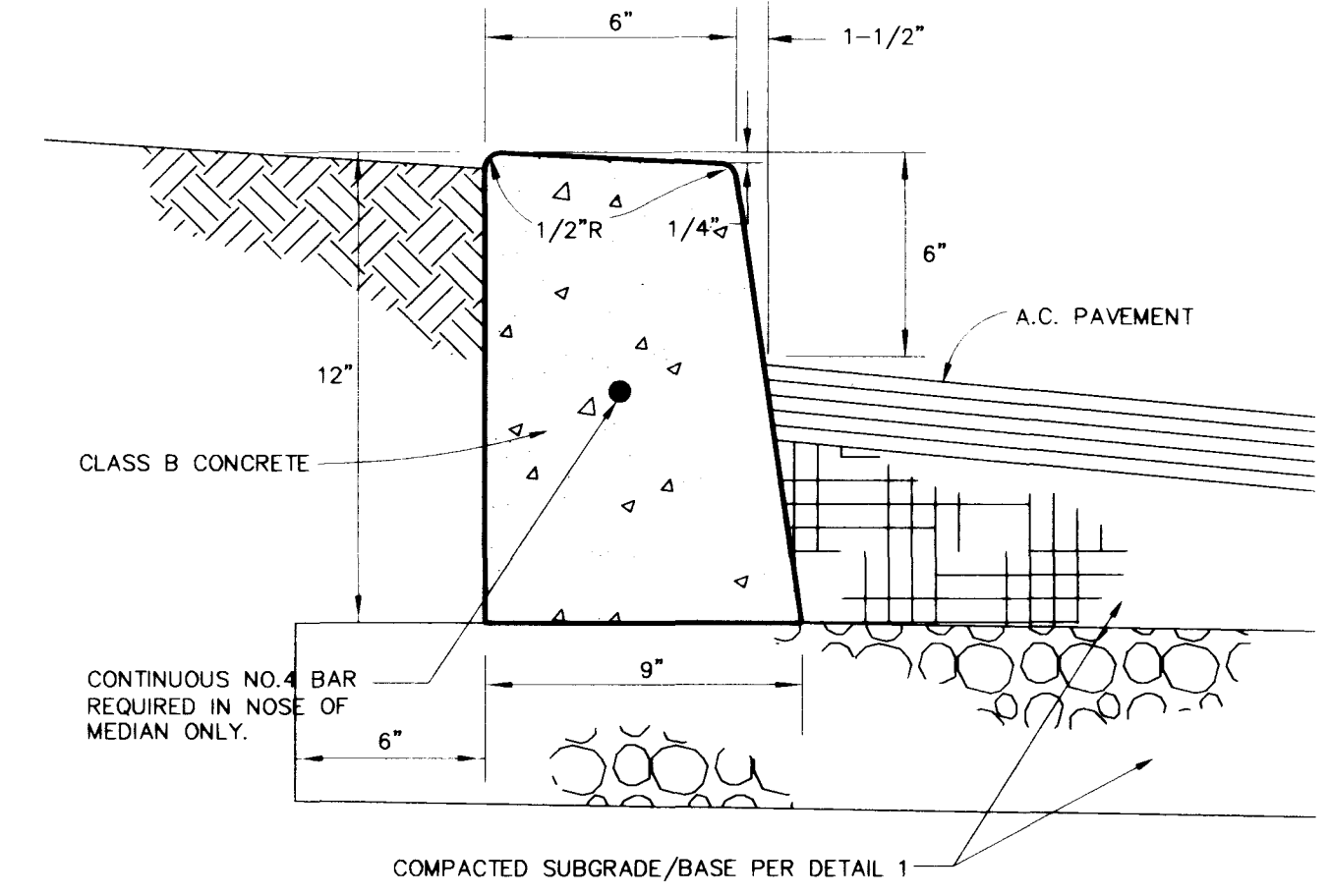
**1** CONCRETE VALLEY GUTTER DETAIL  
SCALE: N.T.S.



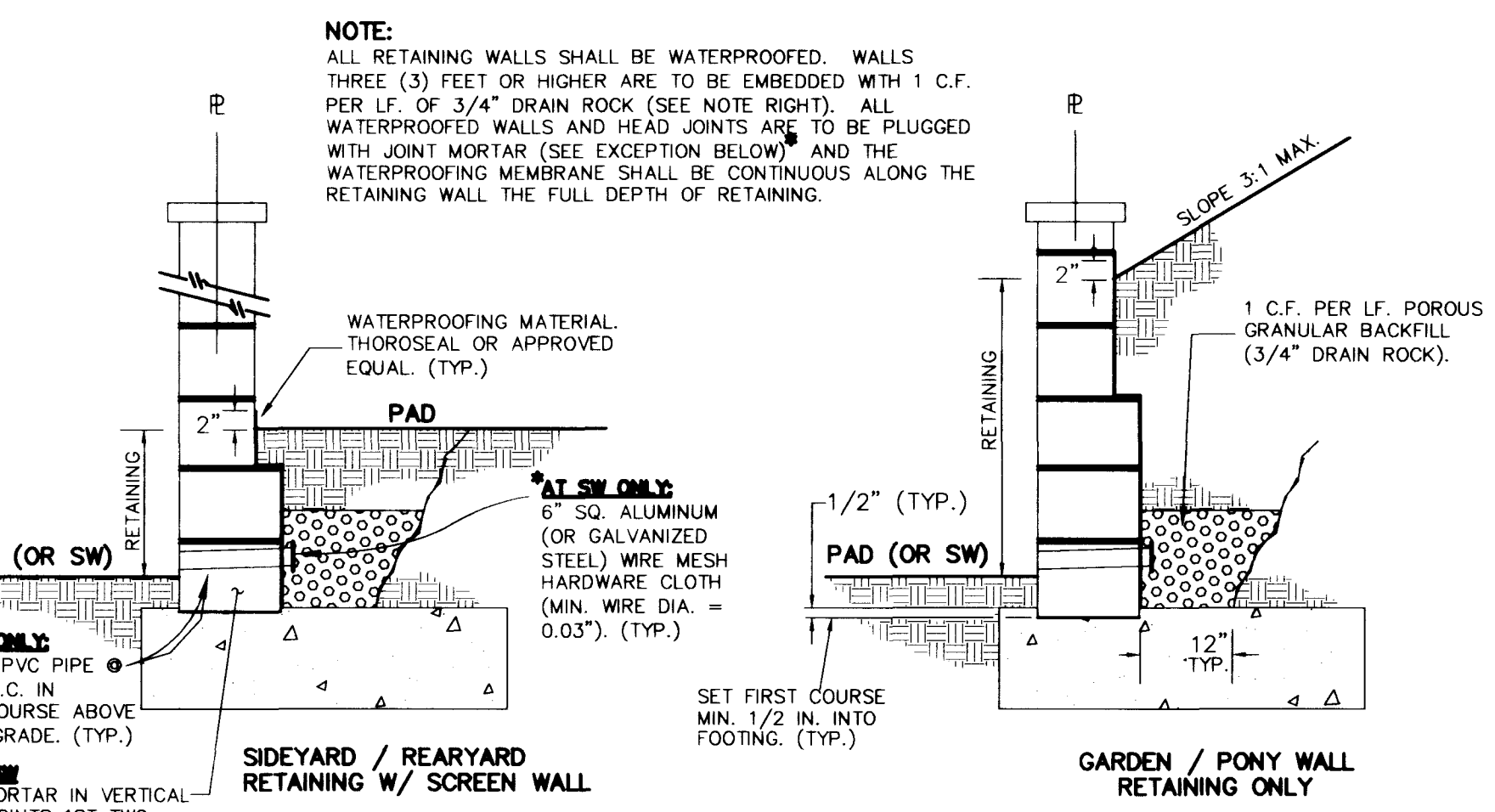
**2** TYPICAL PAVING SECTION  
SCALE: N.T.S.



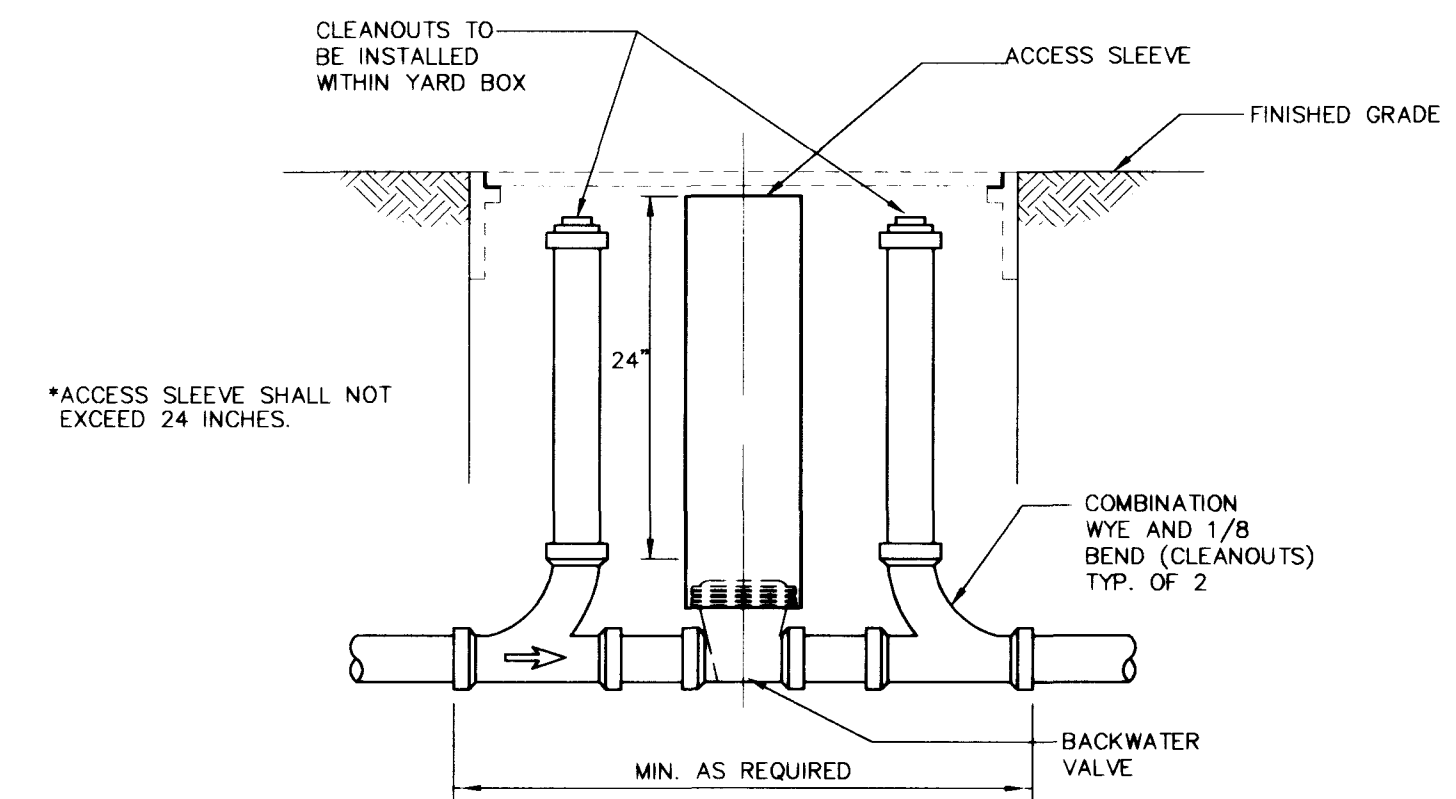
**3** CHANNEL DETAIL  
SCALE: N.T.S.



**4** "A" TYPE CURB DETAIL  
SCALE: N.T.S.



**15** WATERPROOFING AND DRAINAGE SECTION  
SCALE: N.T.S.



**16** SEWER CLEANOUT DETAIL  
SCALE: N.T.S.

- NOTE:**
1. 36" MAX. DEPTH WITH BOX - MIN. DIMENSION 14"x23"x12" IN DEPTH.
  2. VALVE LOCATED DEEPER THAN 36" SHALL BE SIZED TO PERMIT PERSON TO ENTER BOX.
  3. REMOVE VALVE ASSEMBLY TO CLEAN OUT BEHIND CLAPPER.

DATE: 3/2/97

DATE ASGN. APP. DATE: 6/26/97

REV. DATE: 11/06/98

95% COMPLETE

ISSUE DATE: 11/06/98

DESIGN: GSN  
DRAWN: JMW  
CHECK: JMW  
ISSUE DATE: 11/06/98  
PLOT DATE: 02-25-99  
PLOT TIME: 09:32:16

**G.C. WALLACE, INC.**  
Engineering/Architecture  
1555 SOUTH RAINBOW BLVD./LAS VEGAS, NEVADA 89146  
TELEPHONE: (702) 804-2000 • FAX: (702) 804-2259  
F: 819-265-6893, V: 819-265-6894, WWW: WWW.GCWA.COM

**HILLS/RANDAZO OFFICE COMPLEX**  
JMA ARCHITECTURE STUDIOS  
**DETAIL SHEET**

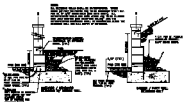
SHEET  
**C-8**  
8 OF 8 SHEETS



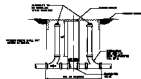
4 SEWER SILT DETAIL  
SCALE 1/4" = 1'-0"

NO.	DESCRIPTION	QTY.	UNIT
1	CONCRETE		
2	STEEL		
3	GRAVEL		
4	PIPE		
5	MANHOLE		
6	BRICK		
7	CEMENT MORTAR		
8	PAVING		
9	GRASS		
10	SOIL		
11	ROCK		
12	WOOD		
13	GLASS		
14	GLASS		
15	GLASS		
16	GLASS		
17	GLASS		
18	GLASS		
19	GLASS		
20	GLASS		
21	GLASS		
22	GLASS		
23	GLASS		
24	GLASS		
25	GLASS		
26	GLASS		
27	GLASS		
28	GLASS		
29	GLASS		
30	GLASS		
31	GLASS		
32	GLASS		
33	GLASS		
34	GLASS		
35	GLASS		
36	GLASS		
37	GLASS		
38	GLASS		
39	GLASS		
40	GLASS		
41	GLASS		
42	GLASS		
43	GLASS		
44	GLASS		
45	GLASS		
46	GLASS		
47	GLASS		
48	GLASS		
49	GLASS		
50	GLASS		

SEE SPECIFICATIONS FOR MATERIALS AND METHODS OF CONSTRUCTION.



15 MANHOLES AND SEWER STRUCTURES  
SCALE 1/4" = 1'-0"

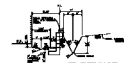


16 SEWER SILT DETAIL  
SCALE 1/4" = 1'-0"

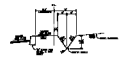
- 1. 1/2" DIA. PIPE WITH 1/4" WALL THICKNESS
- 2. 1/2" DIA. PIPE WITH 1/4" WALL THICKNESS
- 3. 1/2" DIA. PIPE WITH 1/4" WALL THICKNESS
- 4. 1/2" DIA. PIPE WITH 1/4" WALL THICKNESS



9 TYPICAL SEWER  
SCALE 1/4" = 1'-0"



10 TYPICAL SEWER  
SCALE 1/4" = 1'-0"



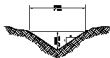
11 TYPICAL SEWER  
SCALE 1/4" = 1'-0"



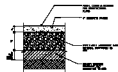
12 TYPICAL SEWER  
SCALE 1/4" = 1'-0"



13 TYPICAL SEWER  
SCALE 1/4" = 1'-0"



5 1/2" TYPE CURB DETAIL  
SCALE 1/4" = 1'-0"



6 TYPICAL STORM SEWER  
SCALE 1/4" = 1'-0"



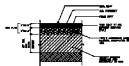
7 TYPICAL STORM SEWER  
SCALE 1/4" = 1'-0"



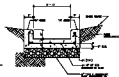
8 TYPICAL STORM SEWER  
SCALE 1/4" = 1'-0"



1 CONCRETE VALLEY GUTTER DETAIL  
SCALE 1/4" = 1'-0"



2 TYPICAL STORM SEWER  
SCALE 1/4" = 1'-0"



3 STORM SEWER  
SCALE 1/4" = 1'-0"



4 1/2" TYPE CURB DETAIL  
SCALE 1/4" = 1'-0"



RECOMMENDED OFFICE COMPLEX  
AND ASSOCIATED SERVICES  
DETAILS SHEET  
C-8