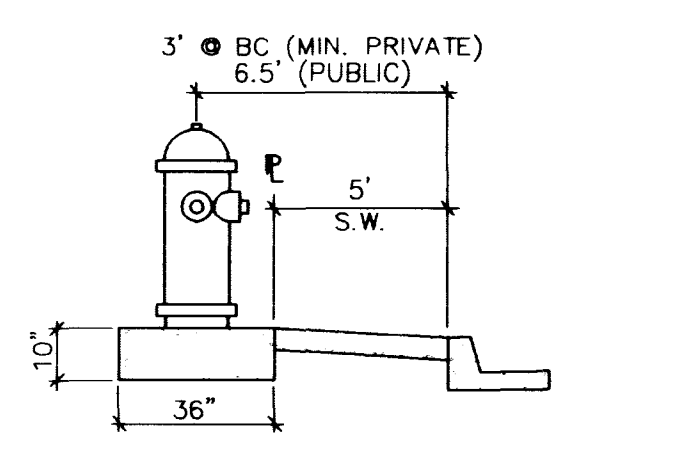


MATCHLINE SEE SHEET C4

GRAPHIC SCALE

( IN FEET )  
1 inch = 30 ft.

STREET LIGHT INSTALLATION  
NTS



FIRE HYDRANT INSTALLATION  
NTS

NOTE:  
ALL ON-SITE SEWERS ARE PRIVATELY OWNED AND MAINTAINED.

APPROVALS

*[Signature]* 1/27/98  
CITY OF MARSHALL DATE  
*[Signature]* 1st Approval: 1-28-99 1-2-99  
LAS VEGAS VALLEY WATER DISTRICT DATE

LAS VEGAS FIRE DEPARTMENT

FIRE FLOW IS: 3,125 GPM AT 20 PSI RESIDUAL PRESSURE  
BASED ON:  
LARGEST BLDG.  
SQUARE FOOTAGE: 51,970 SQ. FT.  
AREA BETWEEN 4-HR AREA  
SEPARATION WALLS: N/R  
BUILDING HEIGHT: 35'  
NUMBER OF STORIES: 1  
OCCUPANCY: V-N  
FULL AUTOMATIC FIRE SYSTEM: YES

NOTES:

- 1. ALL DIMENSIONS TO UTILITIES ARE TO CENTERLINE OF PIPE, BACK OF CURB, PROPERTY LINE, CENTERLINE, & BUILDING LINE, UNLESS NOTED OTHERWISE.
- 2. CONTRACTOR SHALL VERIFY HORIZONTAL AND VERTICAL ALIGNMENT OF EXISTING UTILITIES AND NOTIFY THE DESIGN ENGINEER IMMEDIATELY OF ANY DISCREPANCIES PRIOR TO CONSTRUCTION.
- 3. ALL SEWER AND WATER LATERALS ARE TO BE INSTALLED PER UPC STANDARDS FROM MAIN TO 5' FROM BUILDING.
- 4. ALL EXISTING UTILITY STRUCTURES WITHIN CONSTRUCTION AREA SHALL BE ADJUSTED TO MATCH FINISH GRADE (L.E., W.V., BOX, W.M.H., ANNODE BOX, F.H., TEL. BOX, ETC.)
- 5. FOR EXACT BUILDING LATERAL CONNECTION POINTS, SEE PLUMBING PLANS.

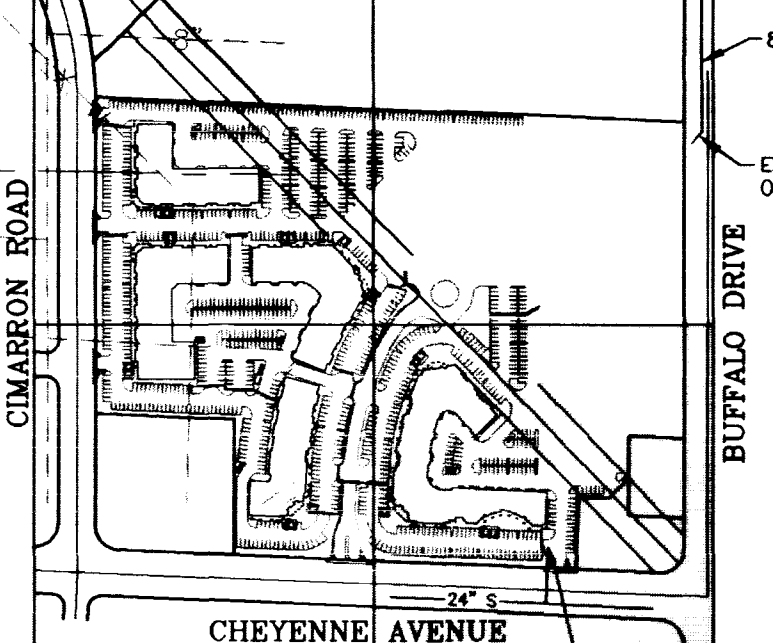
LEGEND:

- CURB PAINTED RED
- 4" HIGH, WHITE PAINTED BLOCK LETTERS "NO PARKING FIRE LANE" ON CURB FACE OR BLOCK WALL & "FIRE LANE" NO PARKING SIGN (SEE DETAIL BELOW) @ 50' O.C. MAX
- RED OPAQUE LETTERING
- BLACK LETTER "P" INSIDE RED PROHIBITION CIRCLE
- WHITE REFLECTIVE BACKGROUND
- RED OPAQUE BORDER AND LETTERING
- USE SINGLE ARROW FOR SIGNS AT END OF EA. ZONE (EITHER DIRECTION TO INDICATE DIRECTION OF NO PARKING)

"FIRE LANE" SIGN DETAIL:



SHEET LAYOUT INDEX



SEWER CONNECTION KEY

Call before you Dig. It's a Law.  
1-800-227-2600  
AVOID HITTING OVERHEAD POWER LINES. IT'S COSTLY.  
CALL BEFORE YOU DO OVERHEAD  
CALL 1-702-593-6111

**NORTHWEST PROPERTIES, L.L.C.**  
6900 WESTCLIFF DRIVE, #505  
LAS VEGAS, NEVADA 89128  
(702)256-3781

**AGRA Infrastructure, Inc.**  
ENGINEERING SOLUTIONS  
3016 W. LAS VEGAS, NEVADA 89102  
PHONE: (702) 878-3617

**FLYNN GALLAGHER CORP. CENTER**  
NWC OF CHEYENNE AND BUFFALO  
APN 138-09-801-018 & 019  
CITY OF LAS VEGAS

DRAWN BY: AUG98  
DESIGNED BY: AUG98  
CHECKED BY: AUG98  
PROJECT NO: 02-1988-027  
SCALE: 1" = 30'

**C6**  
6 OF 15 SHEETS  
DRAWING NO: 107-V2965

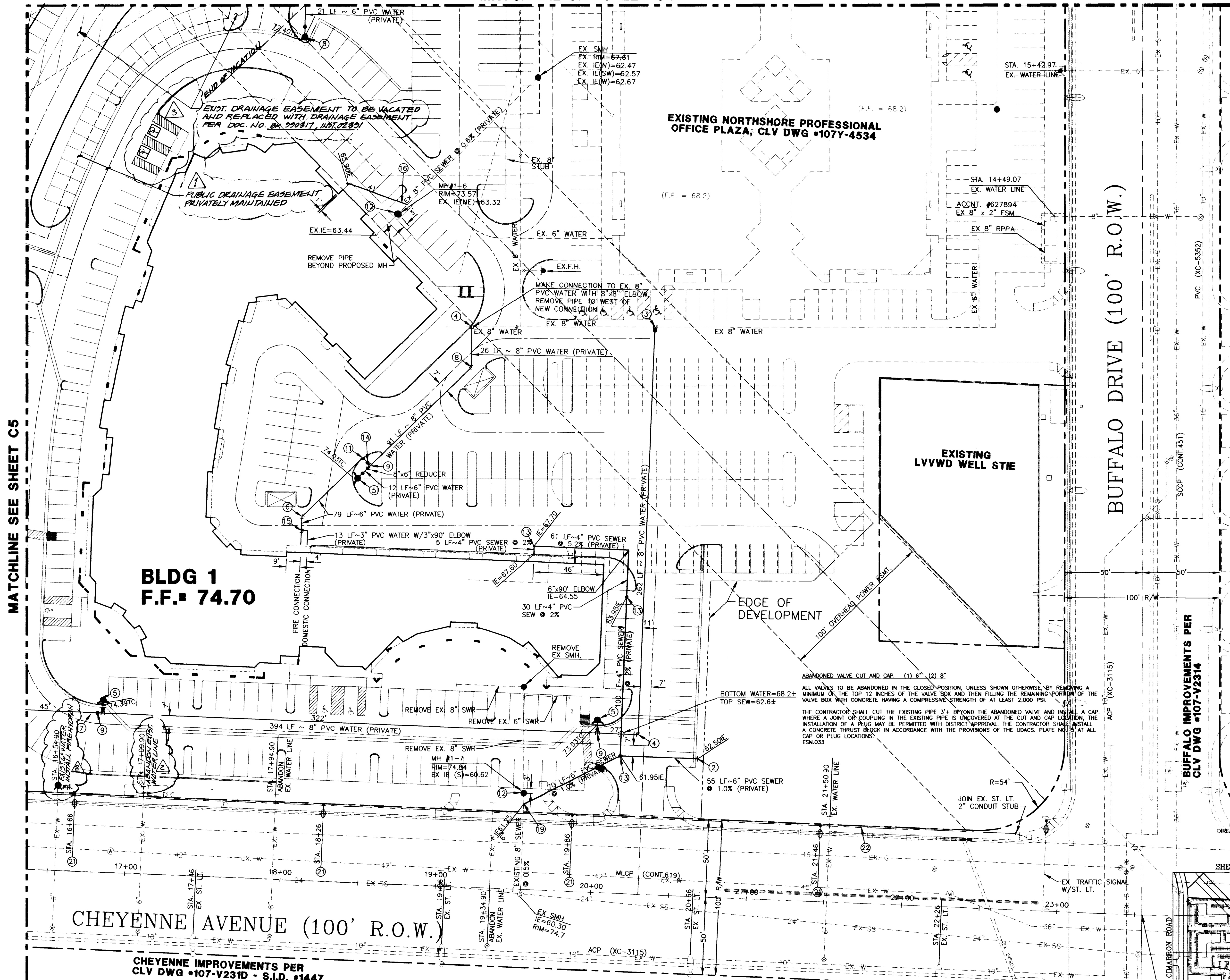
MATCHLINE SEE SHEET C5

CONSTRUCTION NOTES

- 1. INSTALL 8" TAPPING SLEEVE & 8" TAPPING VALVE
- 2. STUB SEWER WITH CLEANOUT
- 3. 8" x 45" BEND
- 4. 8" x 90° ELBOW
- 5. INSTALL 6" FIRE HYDRANT ASSEMBLY PER U.D.S. PLATE NO. 7
- 6. 6" x 45" BEND
- 7. 8" GATE VALVE
- 8. 8" x 45" BEND
- 9. 8" x 8" x 6" TEE
- 10. 6" x 90° ELBOW
- 11. 6" x 90° ELBOW
- 12. INSTALL 4" DIA. SMH PER CCSD STD DWG NO. SD-1
- 13. SEWER CLEANOUT PER UNIFORM PLUMBING CODE, LATEST EDITION
- 14. 8" GATE VALVE
- 15. 6"x6"x3" TEE
- 16. INSTALL 4" PVC SEWER LATERAL CONNECTION PER CCSD STD. DWG. NO. SD-17, LAY PIPE AT 2.0% MINIMUM SLOPE
- 17. INSTALL 6" PVC SEWER LATERAL CONNECTION PER CCSD STD. DWG. NO. SD-17
- 18. INSTALL 250W STREET LIGHT
- 19. INSTALL 2" STREET LIGHT CONDUIT

SEWER CONTRIBUTION

AVERAGE FLOW = 17,840 GAL/DAY (178,400 SF @ 0.10 GAL/DAY/S.F.)  
PEAK FLOW = 58,872 GAL/DAY (3.3 PEAK FACTOR)



13123 13419 15971 16491 17573

