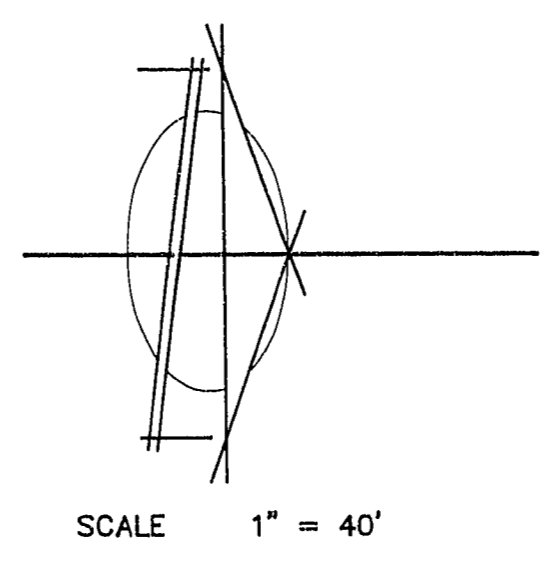
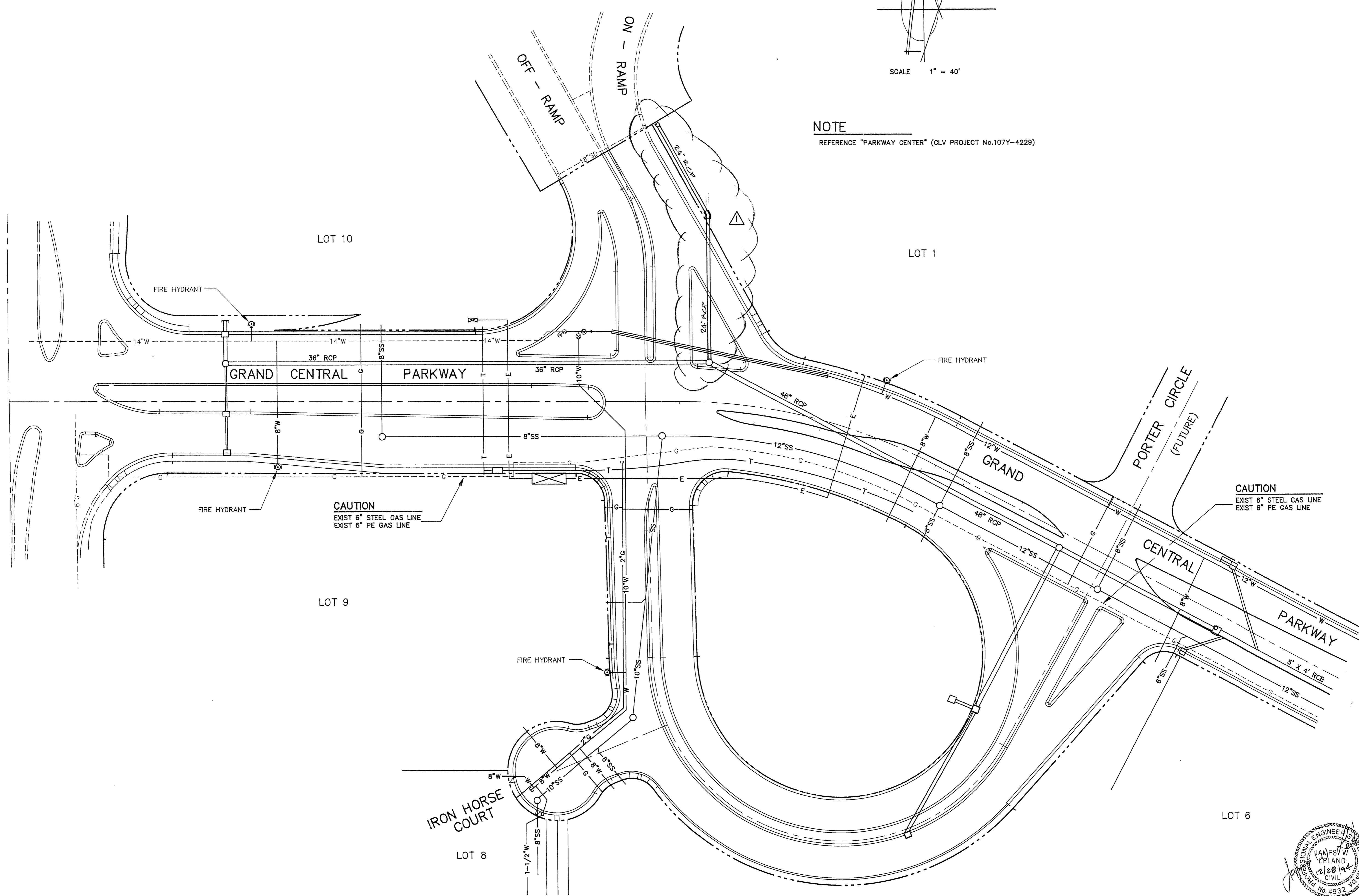


CHARLESTON BOULEVARD

INTERSTATE - 15

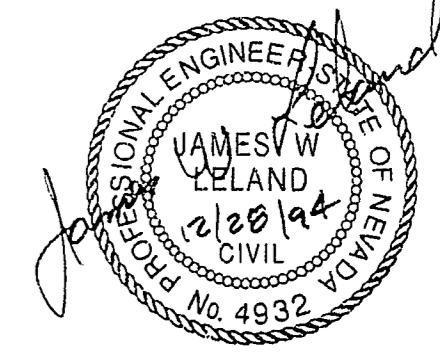


NOTE
REFERENCE "PARKWAY CENTER" (CLV PROJECT No.107Y-4229)



CAUTION
EXIST 6" STEEL GAS LINE
EXIST 6" PE GAS LINE

CAUTION
EXIST 6" STEEL GAS LINE
EXIST 6" PE GAS LINE



APP'D	REVISIONS	DATE	NO.	DESCRIPTION
		8-29-95	1	ISSUED FOR PERMIT
PREPARED FOR: UNION PACIFIC REALTY CO.				
DATE	DESIGN	DATE	DESIGN	DATE
JAN. 1984	ANN	JAN. 1984	ANN	JAN. 1984
ANN	ANN	ANN	ANN	ANN
DRAWN BY: [Signature]				SCALE: 1" = 40'
BAUGHMAN & TURNER, INC. CIVIL ENGINEERS LAND PLANNERS LAND SURVEYORS LAS VEGAS, NEVADA 1210 HINSON STREET (702) 870-8771				
WATER & SEWER PLAN SECTION 33 & 34, TOWNSHIP 20 SOUTH, RANGE 61 EAST, M.D.B. & M. NEVADA CITY OF LAS VEGAS PARKWAY CENTER				
SHEET NO. 41A				PROJ. NO. 4892
DWG: LOOPUTIL 12/22/94 10:42:03				

18-24-78

307Y-4229