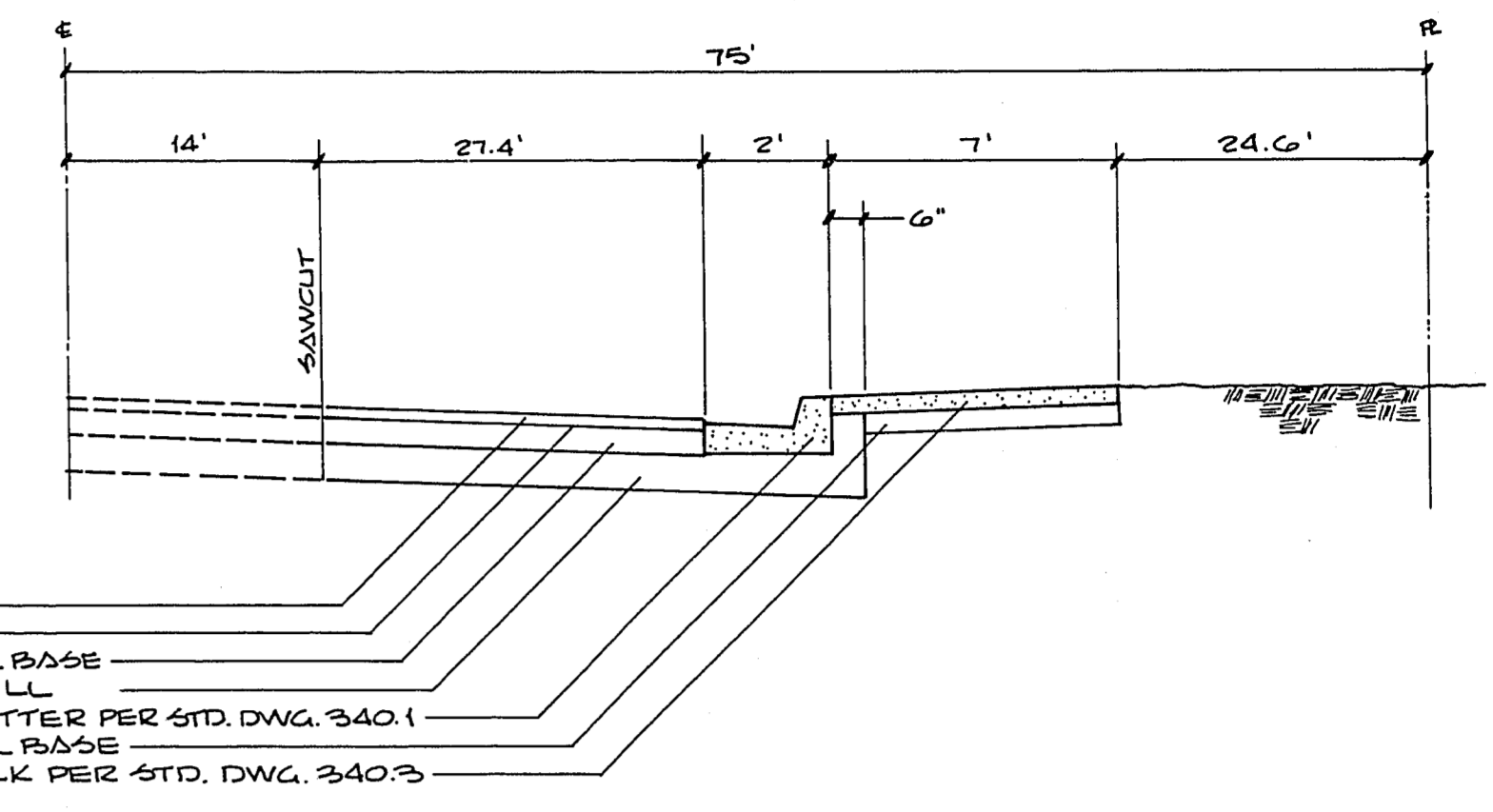


SCALE 1" = 20' HORIZ.
1" = 2' VERT.

BENCH MARK

BENCH MARK NO. 0613602 - CITY OF LAS VEGAS BOLT AND PLATE IN TOP OF CURB AT THE NORTHWEST CORNER OF SUNRISE AVENUE AND MOJAVE ROAD. ELEVATION 1815.20 CLV DATUM



STREET SECTION

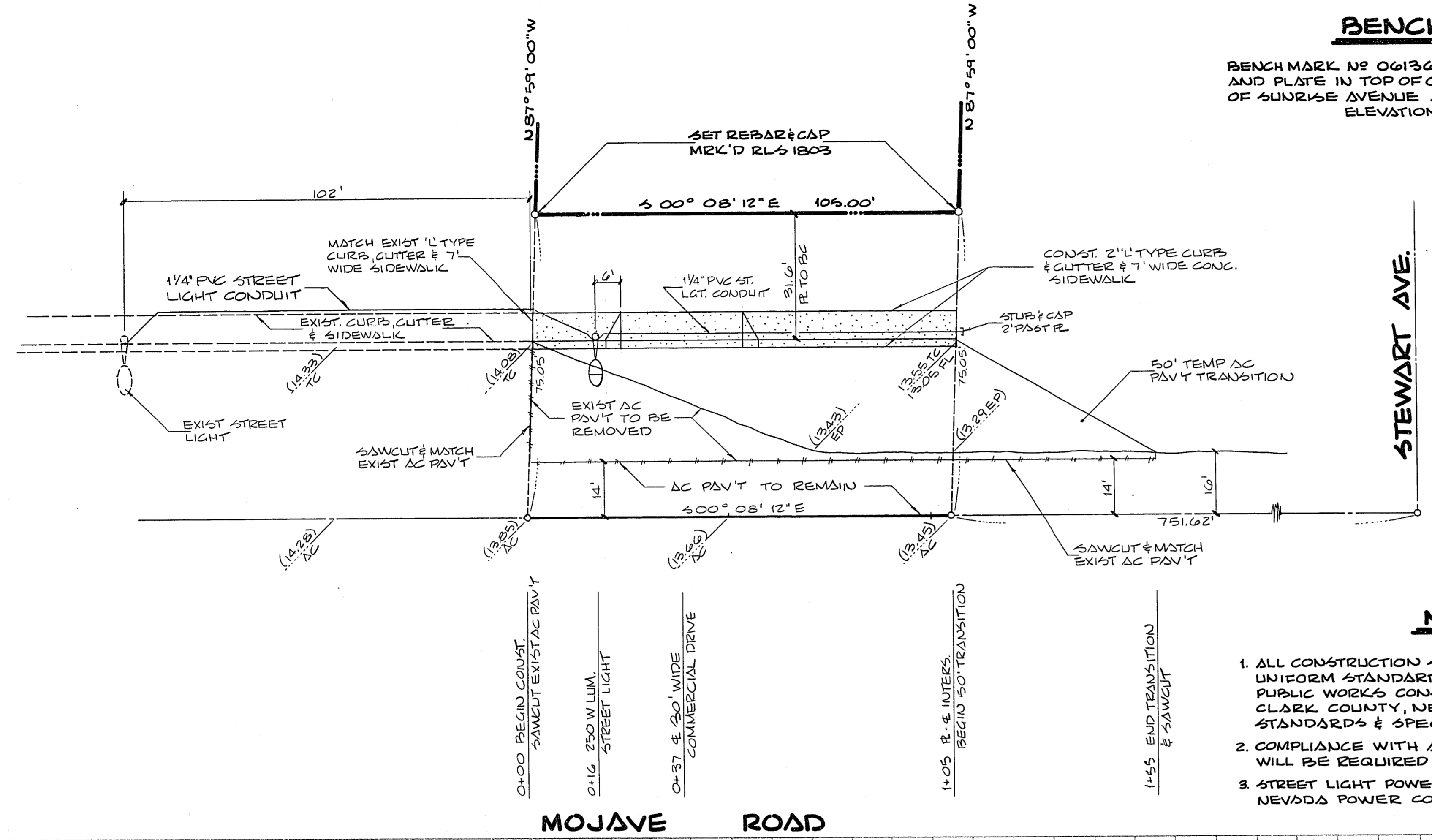
APPROVALS

<i>[Signature]</i> CITY OF LAS VEGAS QUALITY CONTROL ENGINEER	9/12/77 DATE
<i>[Signature]</i> CITY OF LAS VEGAS FIELD OPERATIONS ENGINEER	9-15-77 DATE
<i>[Signature]</i> CITY OF LAS VEGAS ELECTRICAL SUPERINTENDENT	9-12-77 DATE
<i>[Signature]</i> CITY OF LAS VEGAS ELECTRICAL COORDINATOR	11-2-77 DATE
<i>[Signature]</i> CITY OF LAS VEGAS ENGINEERING DEPT.	9/16/77 DATE
<i>[Signature]</i> NEVADA POWER CO.	10-20-77 DATE

NOTES

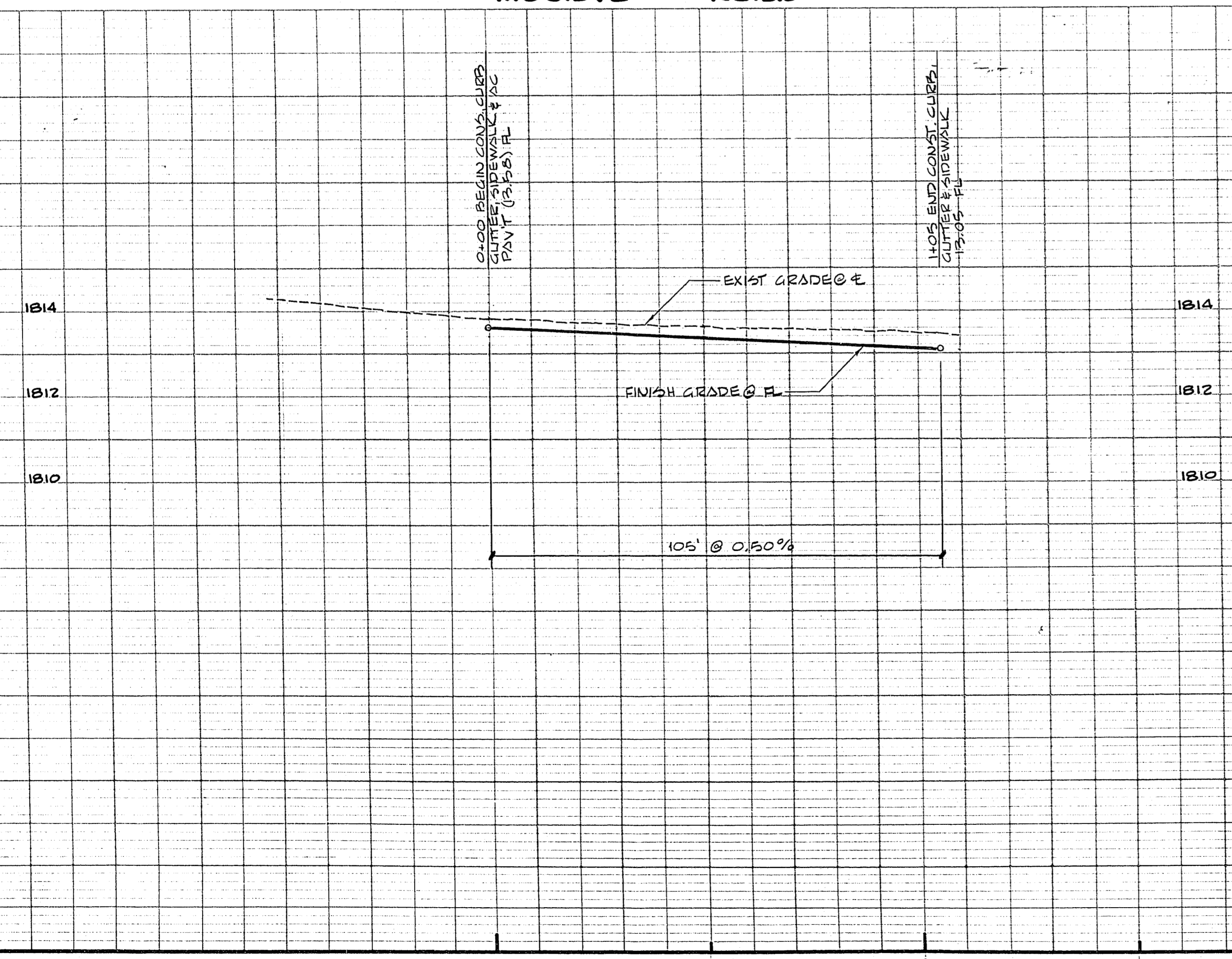
1. ALL CONSTRUCTION SHALL CONFORM TO THE LATEST REVISED UNIFORM STANDARD SPECIFICATIONS AND DRAWINGS FOR PUBLIC WORKS CONSTRUCTION FOR CLARK COUNTY AREA CLARK COUNTY, NEVADA & APPLICABLE CITY OF LAS VEGAS STANDARDS & SPECIFICATIONS.
2. COMPLIANCE WITH AIR POLLUTION CONTROL REGULATIONS WILL BE REQUIRED AT ALL TIMES.
3. STREET LIGHT POWER SOURCE TO BE DETERMINED BY NEVADA POWER CO.

Nevada Power Company approves the point of service to the street light system. This shall not be deemed to consent to the placement of the light poles which may be in conflict with Nevada Power Company's prior rights and/or facilities.
10-20-77
(Date)
[Signature]
NEVADA POWER COMPANY

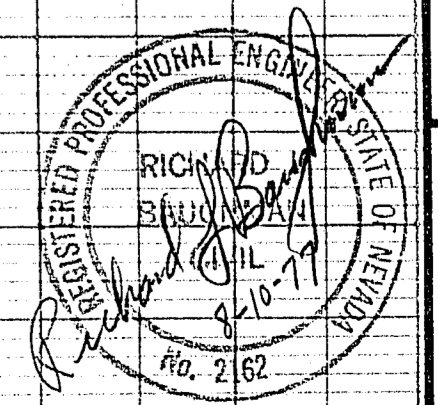


MOJAVE ROAD

STEWART AVE.



NOTE! UTILITY INFORMATION WAS DERIVED FROM DATA FURNISHED BY UTILITY COMPANIES CONTRACTOR MUST CONFIRM LOCATION OF UTILITIES BEFORE COMMENCING EXCAVATION.



STREET & STREET LIGHT DESIGN
 WITHIN A PORTION OF THE 4% OF SECTION 20, TOWNSHIP 20 SOUTH, RANGE 60 EAST, MDBAM CITY OF LAS VEGAS, NEVADA
 PREPARED FOR: **GENE CRAWFORD**
 DATE: 8-10-77
 DESIGN: JPM
 DRAWN: JPM
 CHECK: JPM
 SCALE: 1" = 20'
 CIVIL ENGINEERS
BAUGHMAN & TURNER
 MINING ENGINEERS
 LAND SURVEYORS
 LAS VEGAS, NEVADA 89102
 2325 WEST CHARLESTON BOULEVARD
 702-790-8771
 SHEET 1 OF 1
 PROJ. NO. FB-116-R4-22
 107-V 980