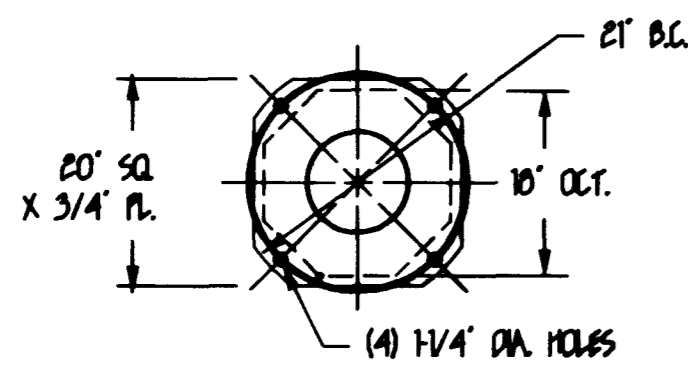
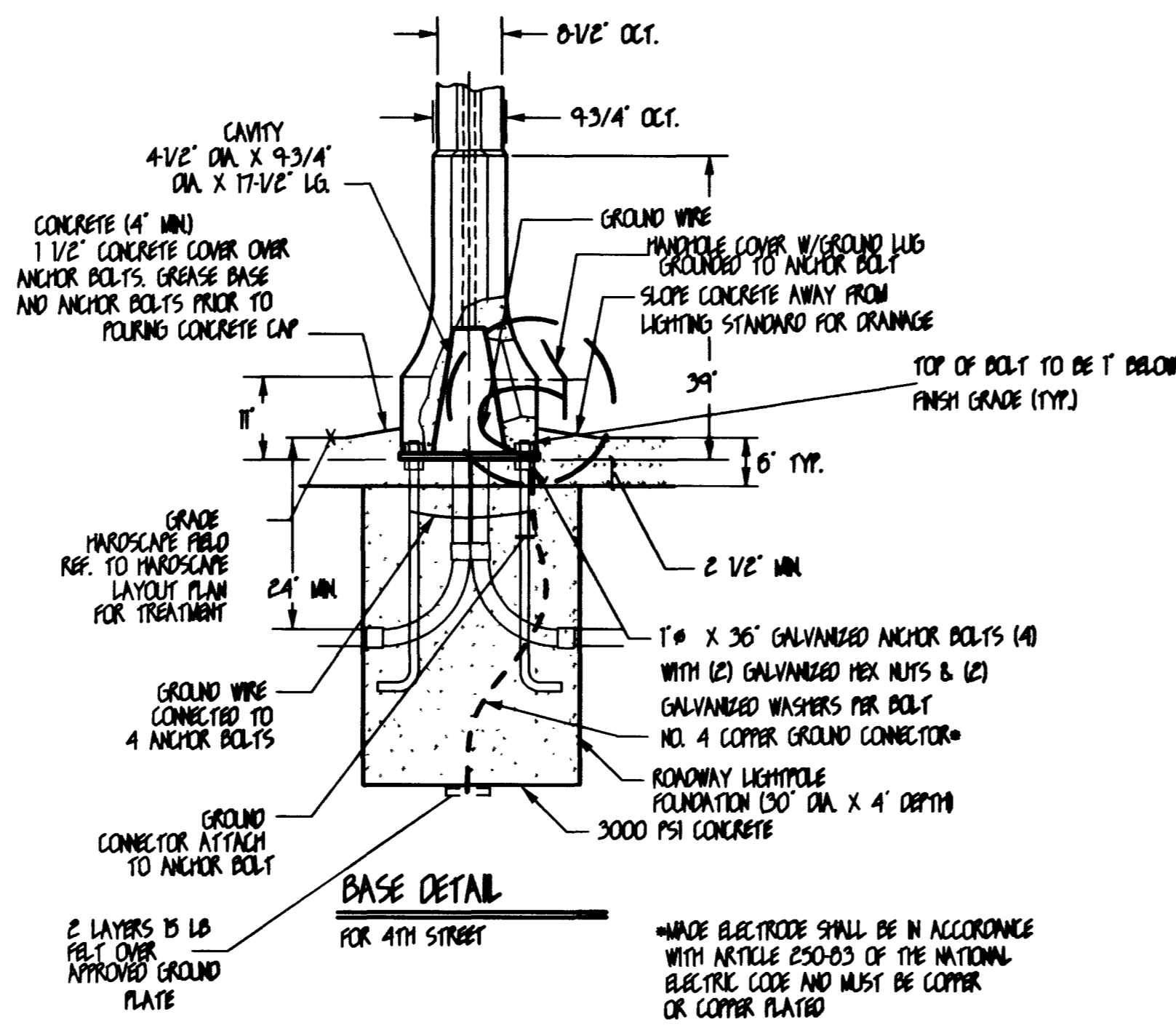
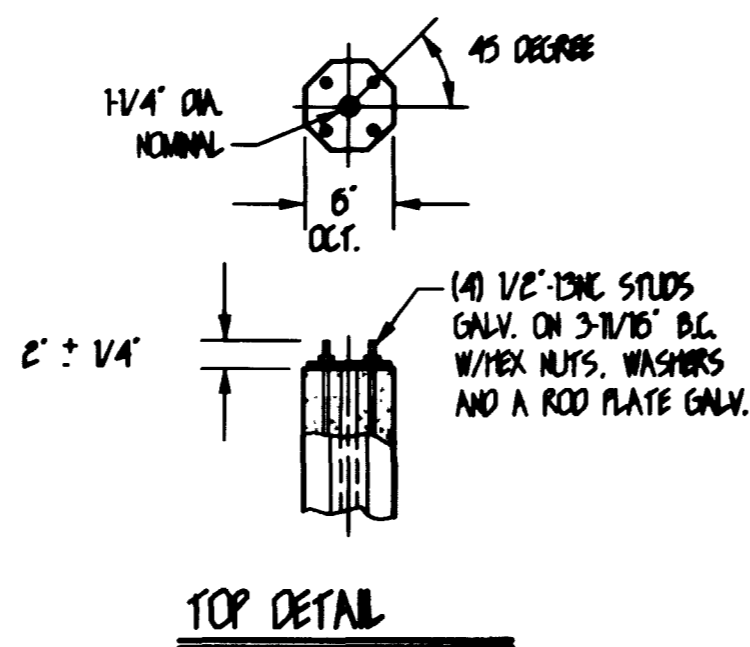
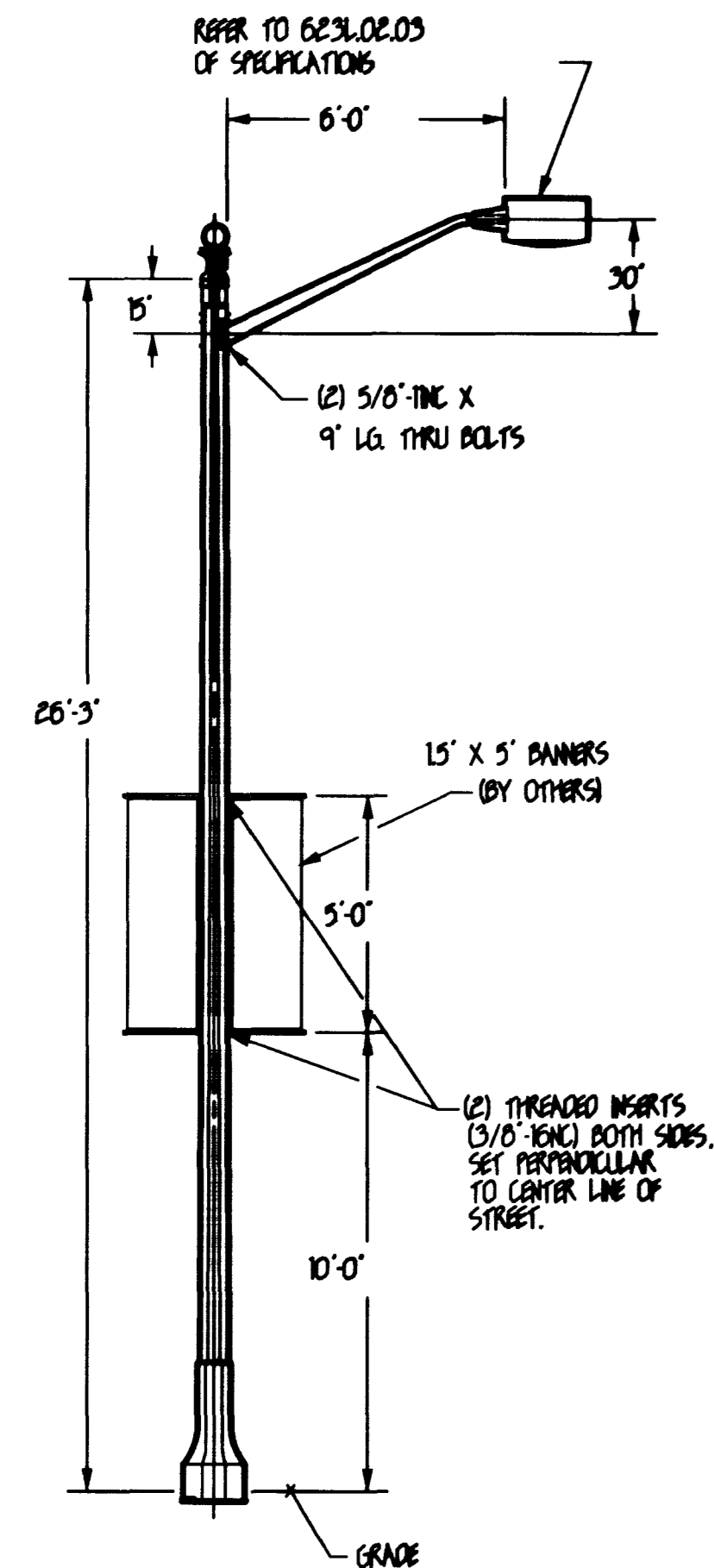


NOTE
FINISH SHALL MATCH
FIXTURE AND DOWN
ARM

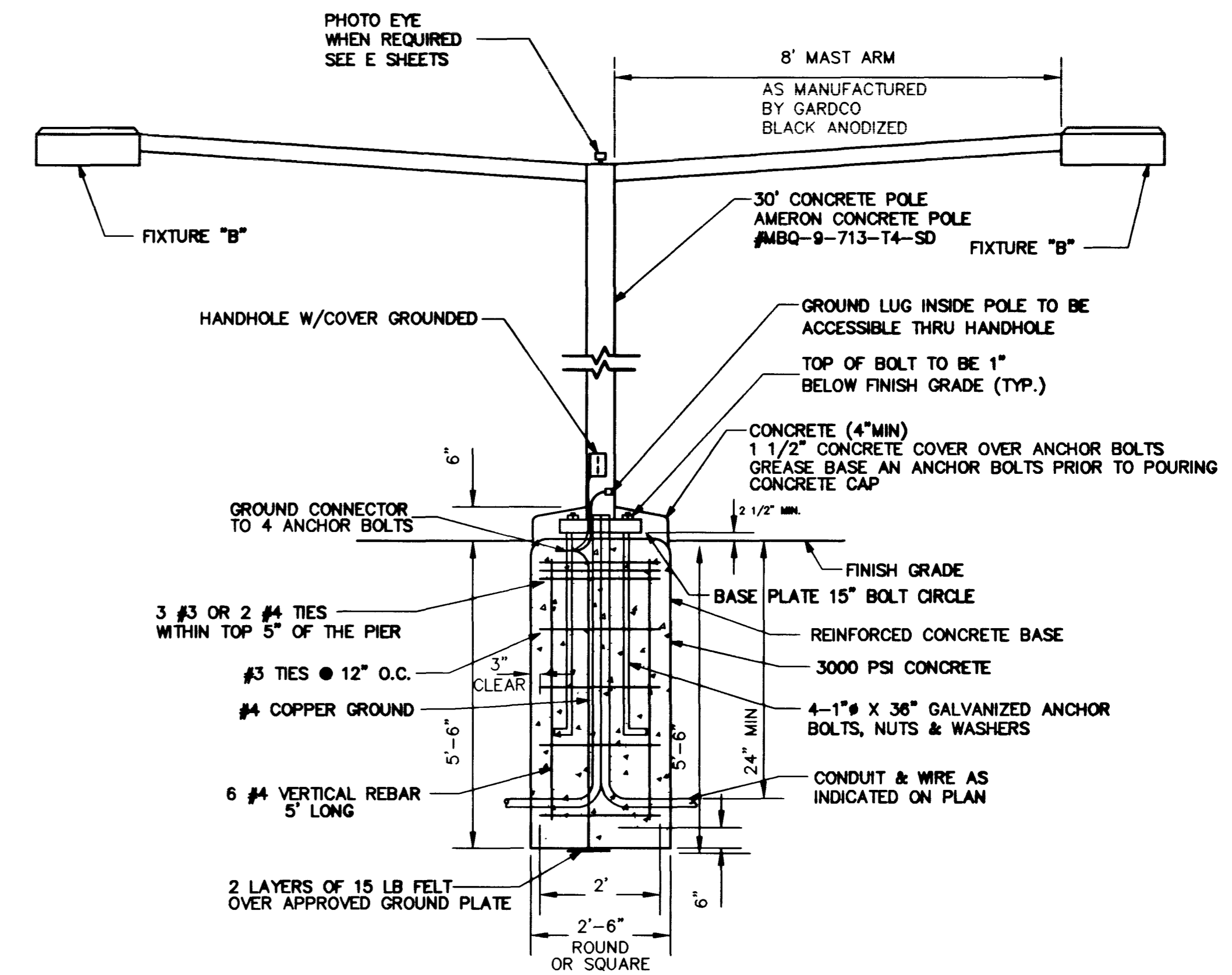


GENERAL NOTES

1. CONCRETE TO BE 6,000 PSI COMPRESSION MINIMUM IN 28 DAYS.
2. MANUFACTURED TO ASTM-1009.
3. POLES SHALL BE PLACED SUCH THAT HANDHOLES ARE LOCATED ON THE NORTH SIDE OF POLE THROUGHOUT THE PROJECT. HANDHOLE COVERS SHALL BE GROUND.

GENERAL NOTES

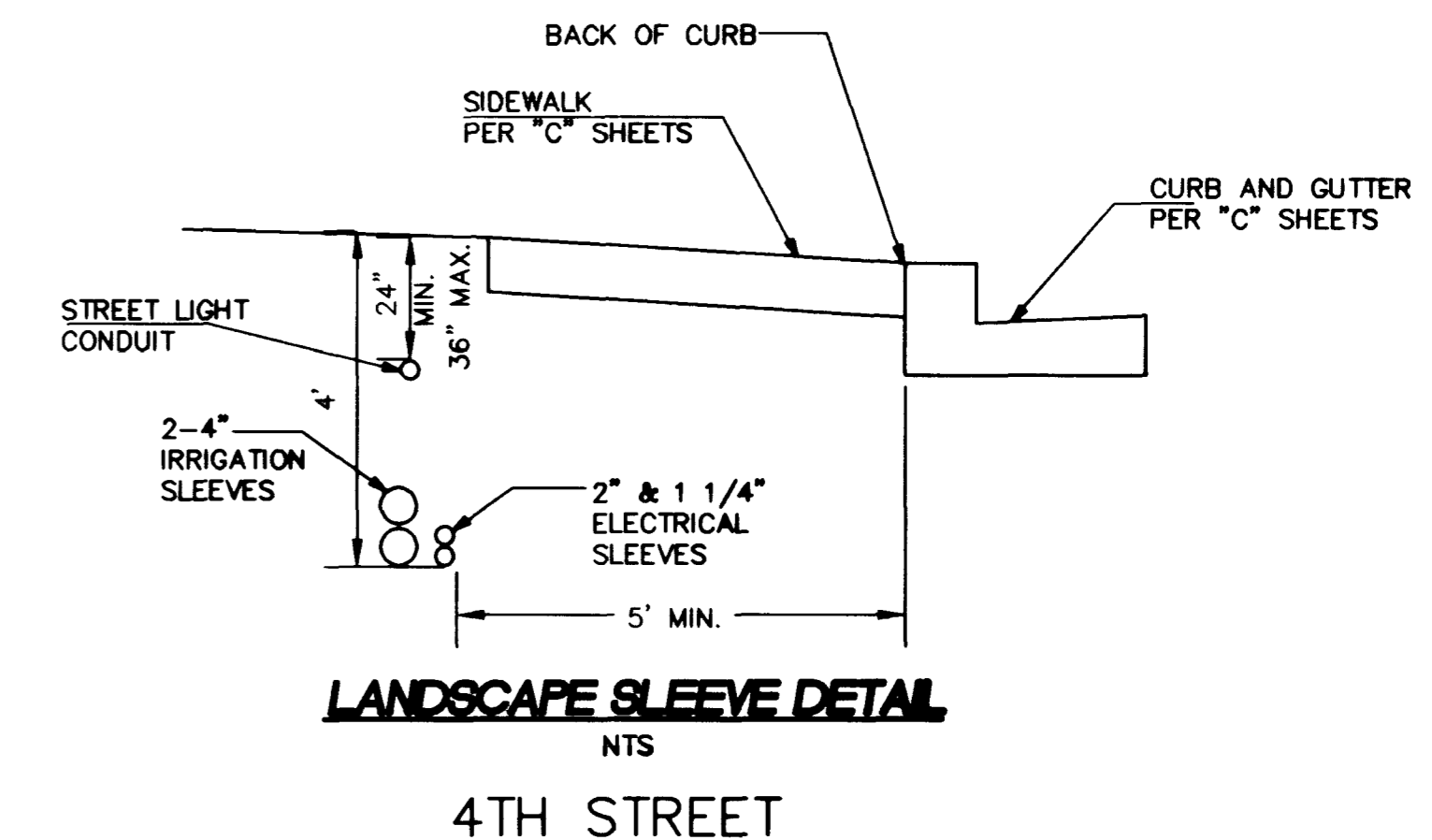
1. ALL CONSTRUCTION AND MATERIALS FOR THIS PROJECT SHALL BE IN ACCORDANCE WITH THE MOST RECENT EDITION OF DESIGN AND CONSTRUCTION STANDARDS OF THE UNIFORM STANDARD SPECIFICATIONS FOR PUBLIC WORKS CONSTRUCTION, OFF SITE IMPROVEMENTS, CLARK COUNTY AREA, NEVADA, 1993, EXCEPT AS MODIFIED BY THE CONTRACT DRAWINGS AND SPECIFICATIONS.
2. THE CONTRACTOR SHALL TAKE ALL PRECAUTIONARY MEASURES NECESSARY TO PROTECT EXISTING STREET LIGHT AND TRAFFIC FACILITIES, WHICH ARE TO REMAIN IN PLACE AND OPERATING, FROM DAMAGE. ALL SUCH STREET LIGHT AND/OR TRAFFIC FACILITIES DAMAGED BY THE CONTRACTOR'S OPERATIONS SHALL BE REPAIRED OR RECONSTRUCTED SATISFACTORY TO THE ENGINEER AT THE EXPENSE OF THE CONTRACTOR.
3. THE CONTRACTOR SHALL VERIFY EXTENT OF EXISTING STREET LIGHT CIRCUITS TO INSURE THAT SERVICE IS PROVIDED CONTINUOUSLY TO ELEMENTS NOT REMOVED/SALVAGED UNDER THIS PROJECT.
4. CONTRACTOR SHALL VERIFY OPERATION OF PROPOSED STREET LIGHTING WITH EXISTING STREET LIGHTING (TO REMAIN) AND OBTAIN APPROVAL FROM ENGINEER PRIOR TO REMOVING AND ABANDONING EXISTING STREET LIGHT ASSEMBLIES, CONDUIT AND CONDUCTORS CALLED OUT ON PLANS.
5. FINAL CONNECTION TO FORM THE MODIFIED STREET LIGHT CIRCUIT SHALL BE READY SUCH THAT THE MODIFIED STREET LIGHT CIRCUIT WILL BE IN OPERATION BY NIGHTFALL OF THE SAME DAY. FINAL CONNECTION TO BE PERFORMED BY CLV.



POLE FOUNDATION DETAIL
DOUBLE MOUNTED FIXTURE
FOR LAS VEGAS BLVD

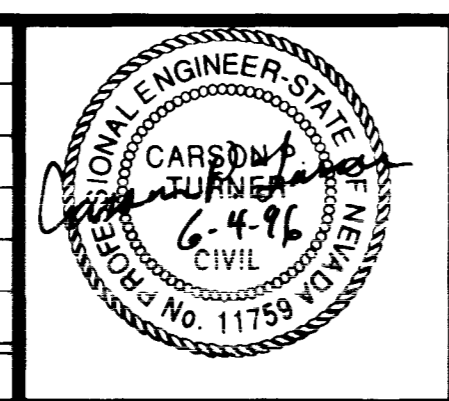
LEGEND

- EXISTING STREET LIGHT
- PROPOSED 250W HPS STREET LIGHT SINGLE MOUNTED FIXTURE
- PROPOSED 250W HPS STREET LIGHT DOUBLE MOUNTED FIXTURE
- EXISTING PULL BOX
- PROPOSED PULL BOX (NO. 3 1/2 UNLESS OTHERWISE SPECIFIED)
- EXISTING SERVICE PEDESTAL
- PROPOSED SERVICE PEDESTAL
- EXISTING ELECTRICAL TRANSFORMER
- PROPOSED ELECTRICAL TRANSFORMER
- EXISTING POLE-MOUNTED SERVICE
- EXISTING CONDUIT
- PROPOSED 2" DIAMETER PVC CONDUIT UNLESS OTHERWISE SPECIFIED



Avoid cutting underground utility lines. It's costly.
Call before you Dig.
1-800-227-2600
UNDERGROUND SERVICE ALERT (USA)

NO.	REVISIONS	DATE	BY



Las Vegas, Nevada © 1996

DESIGNED BY RKS
DRAWN BY RKS/MJS
CHECKED BY [Signature]
NOTE BOOK NO.

CITY OF LAS VEGAS

DOWNTOWN CORRIDOR IMPROVEMENTS
CITY OF LAS VEGAS DEPT. OF PUBLIC WORKS
LAS VEGAS, NEVADA

CONTRACT 2 - 4TH STREET
OAKLEY BLVD. TO CHARLESTON BLVD.

DATE 6/96
SCALE NA

LIGHTING, DETAILS
& GENERAL NOTES

DWG. NO. 107-V-2288B
FILE NO.
SHEET 41 OF 46
E-1

