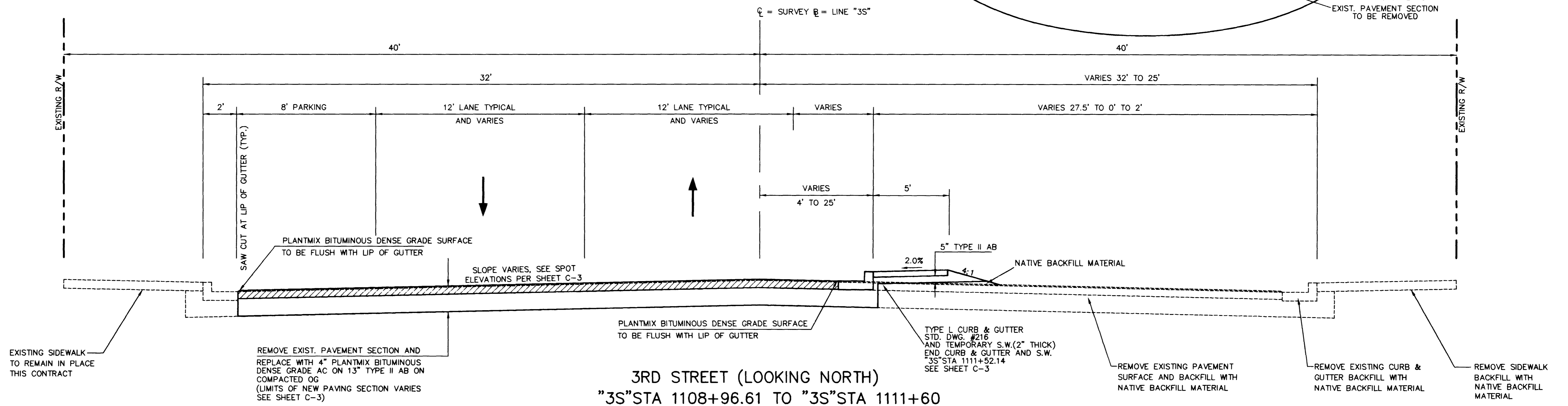
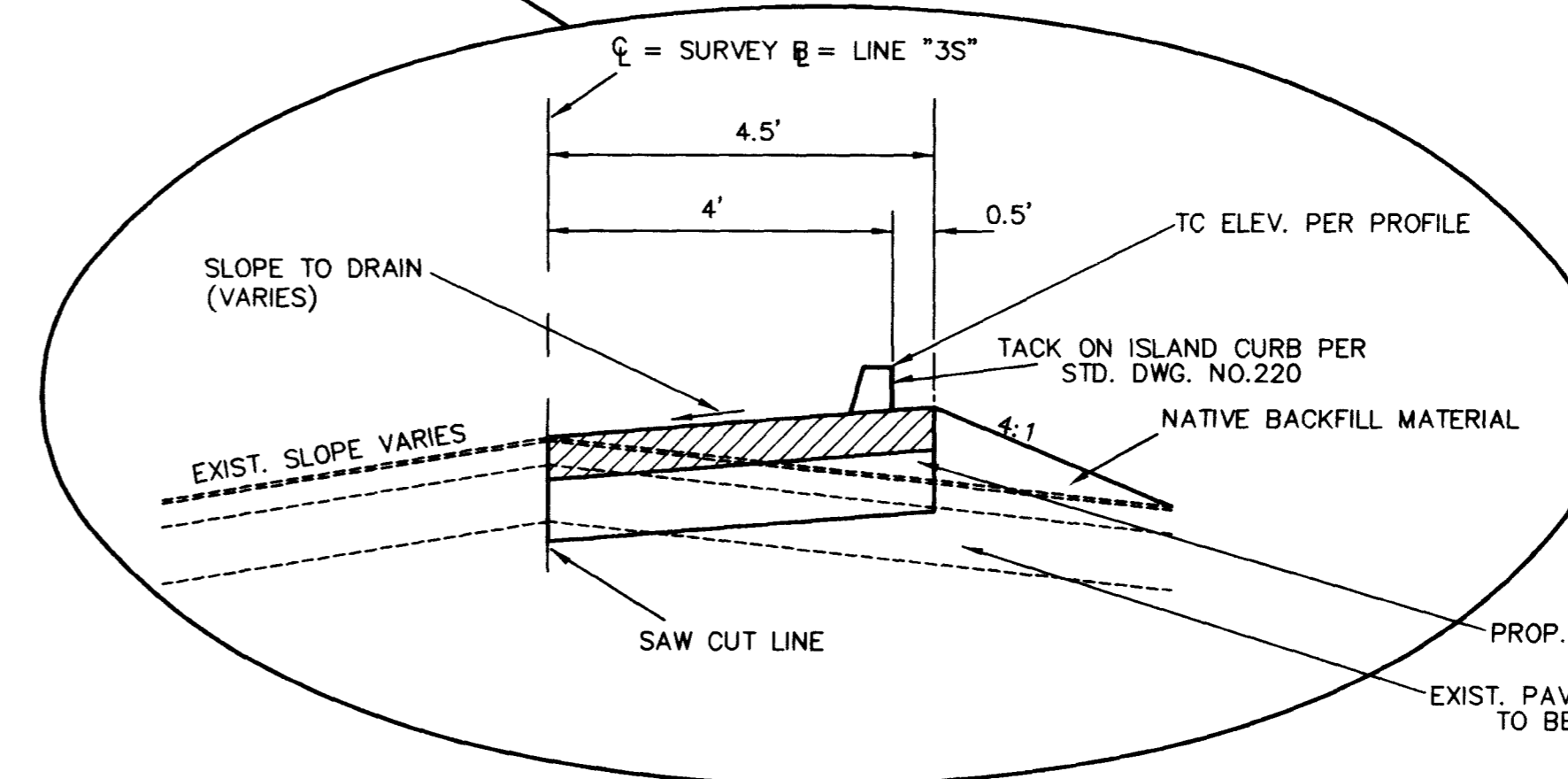


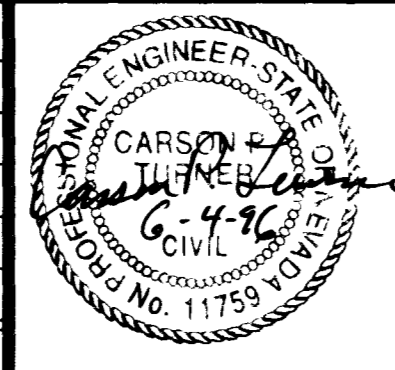
3RD STREET (LOOKING NORTH)
 "3S" STA 1100+44.99 TO "3S" STA 1107+50



3RD STREET (LOOKING NORTH)
 "3S" STA 1108+96.61 TO "3S" STA 1111+60

Time: 14:30:00.0
 4/17/1996
 Drawing File: K:\990302\PH2\T-2

NO.	REVISIONS	DATE	BY



Kimley-Horn and Associates, Inc.
 Las Vegas, Nevada
 © 1996

DESIGNED BY CPT
 DRAWN BY RKS
 CHECKED BY CPT
 NOTE BOOK NO.



DOWNTOWN CORRIDOR IMPROVEMENTS
 CITY OF LAS VEGAS DEPT. OF PUBLIC WORKS
 LAS VEGAS, NEVADA

DATE 6/96
 SCALE NA

**TYPICAL SECTIONS
 3RD STREET**

DWG. NO. 107-V-2288B
 FILE NO. 9903.02
 SHEET 5 OF 46
T-2

263

