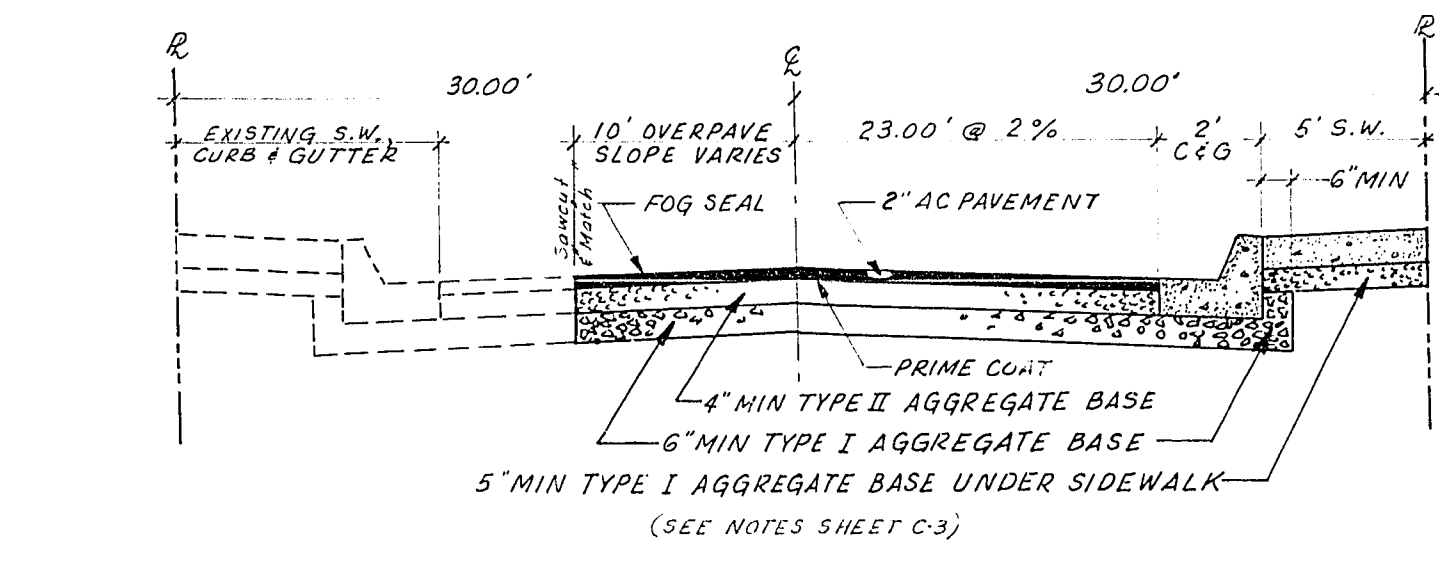
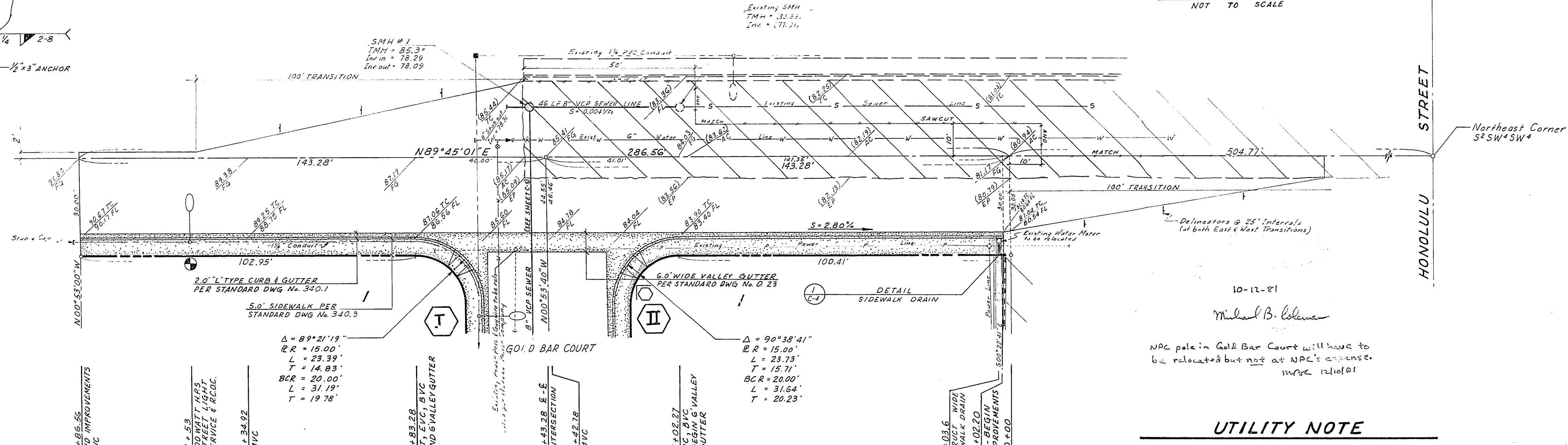
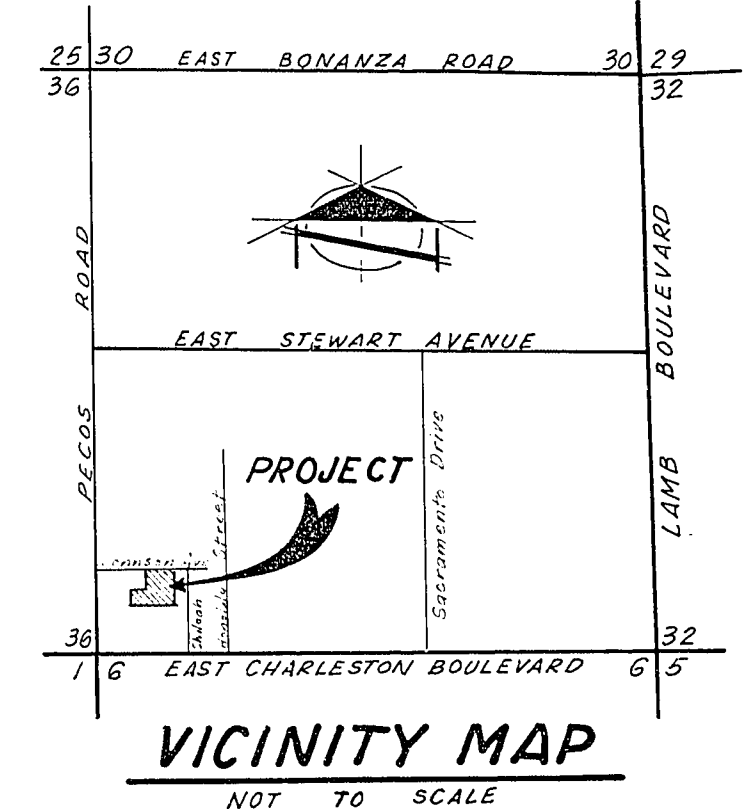
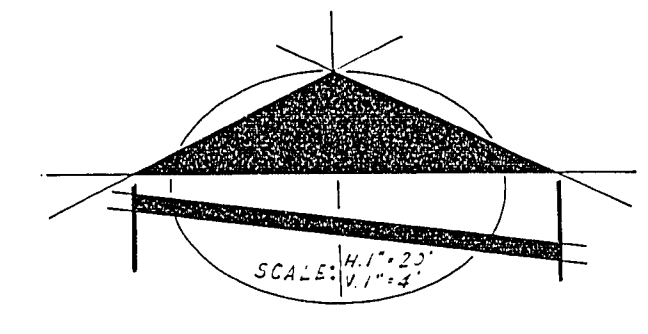


DETAIL NTS  
C-4 SIDEWALK DRAIN

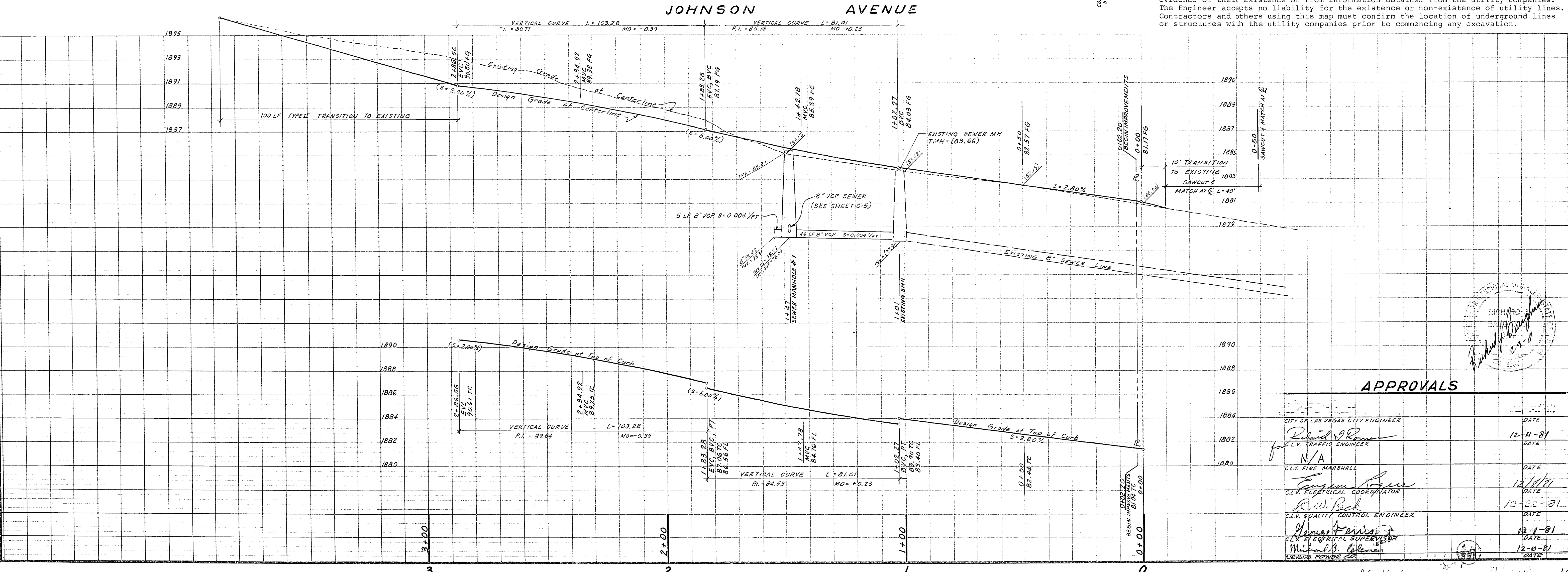


**BENCH MARK**  
B.M. #0623/C1 ON THE NORTHWEST CORNER  
OF JOHNSON AVENUE AND HONOLULU STREET  
ELEVATION = 1776.25 G.L.V. DATUM



**UTILITY NOTE**

The location of underground utilities shown hereon has been determined from surface evidence of their existence or from information obtained from the utility companies. The Engineer accepts no liability for the existence or non-existence of utility lines. Contractors and others using this map must confirm the location of underground lines or structures with the utility companies prior to commencing any excavation.



**APPROVALS**

DATE	DATE	DATE	DATE
12-11-81	12-11-81	12-11-81	12-11-81
12-20-81	12-20-81	12-20-81	12-20-81
12-21-81	12-21-81	12-21-81	12-21-81
12-21-81	12-21-81	12-21-81	12-21-81

DATE: OCT 1981  
DESIGN: G.A.P.  
DRAWN: G.C.  
CHECK: M.B.L.  
SCALE: 1"=20'  
PREPARED FOR: GENE BUCKLEY

BAUGHMAN & TURNER  
CIVIL ENGINEERS  
LAND SURVEYORS  
2335 WEST CHARLESTON BOULEVARD  
LAS VEGAS, NEVADA 89102  
702-870-8771

**STREET DESIGN**  
JOHNSON AVENUE  
A PORTION OF THE SW 1/4 OF THE SW 1/4 OF SECTION 35, TOWNSHIP 20 SOUTH, RANGE 67 EAST, MERIDIAN 116 WEST, CLARK COUNTY, NEVADA

SHEET 14  
PROJ. NO. 107-V1246 A