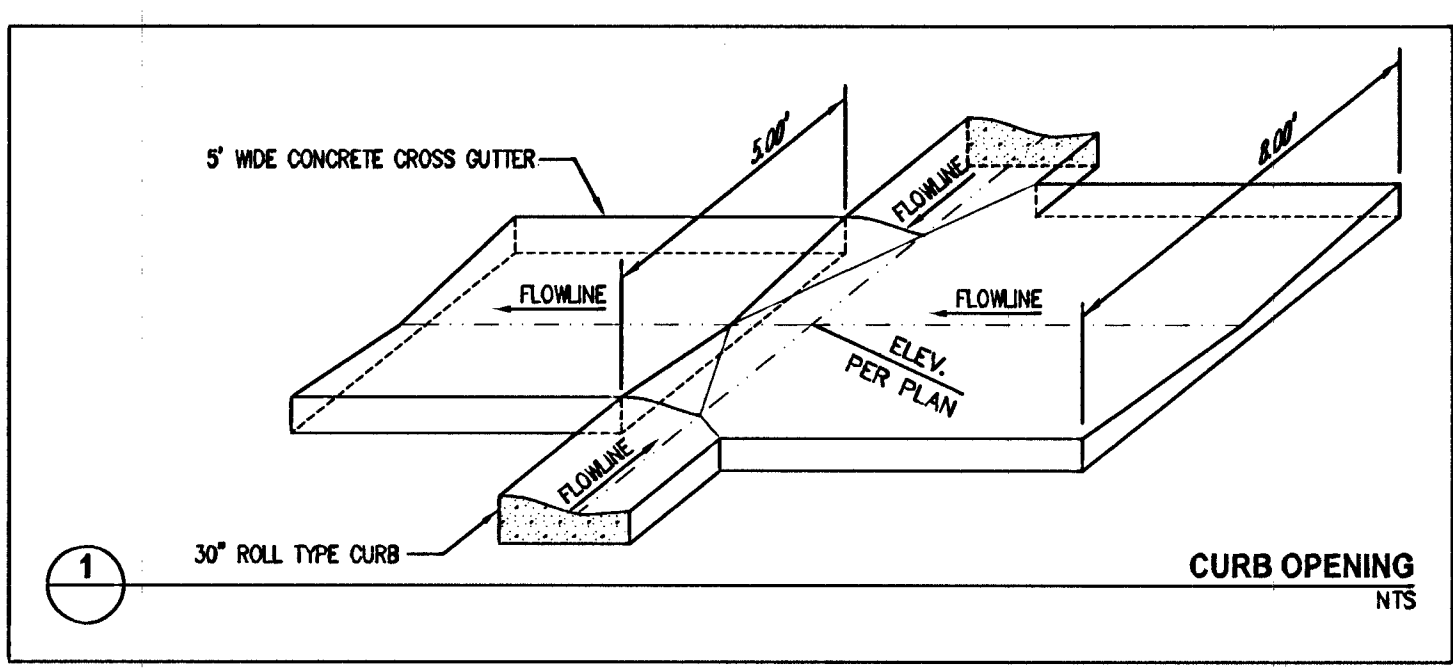
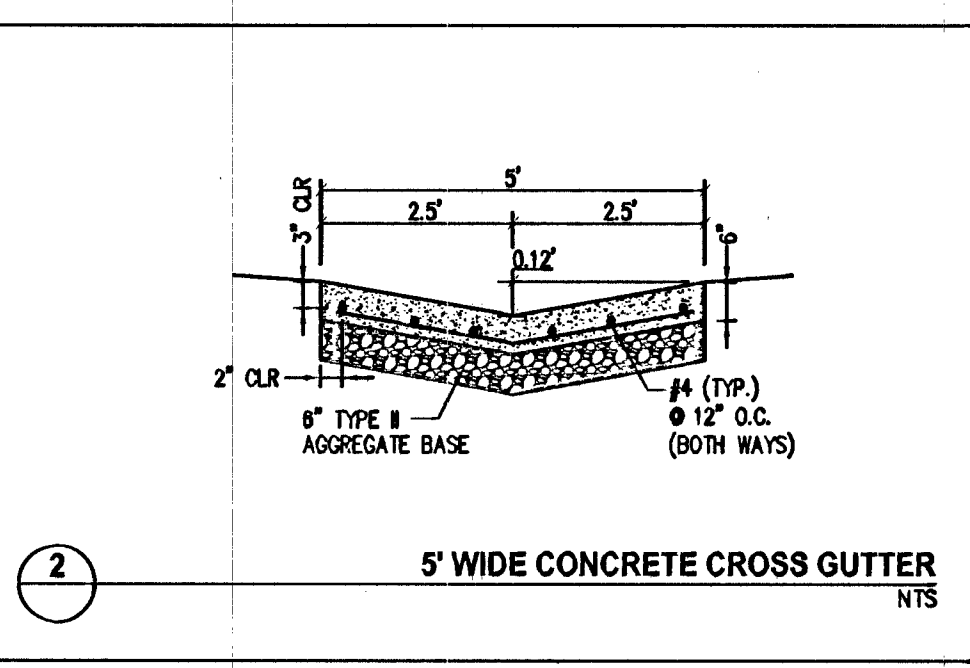
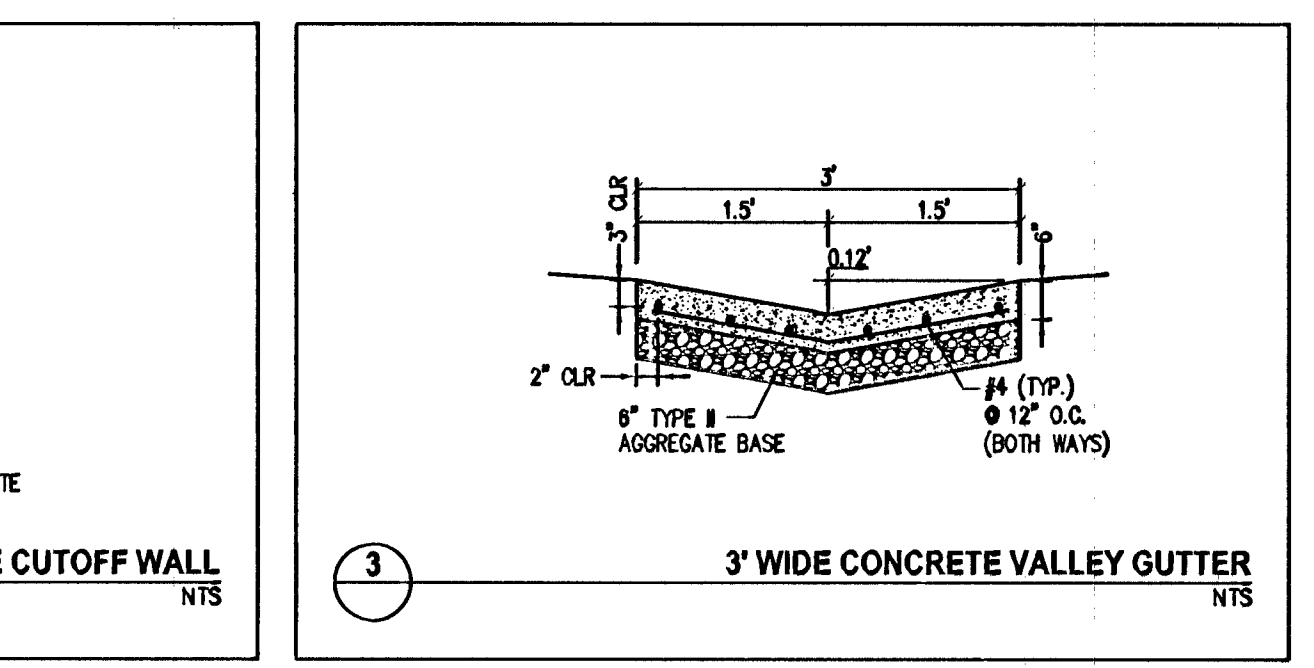
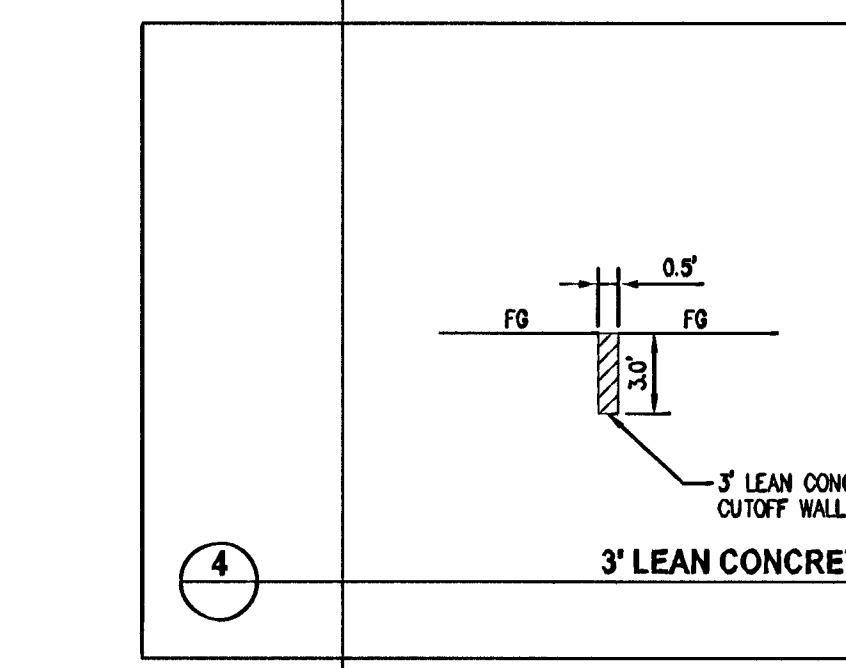
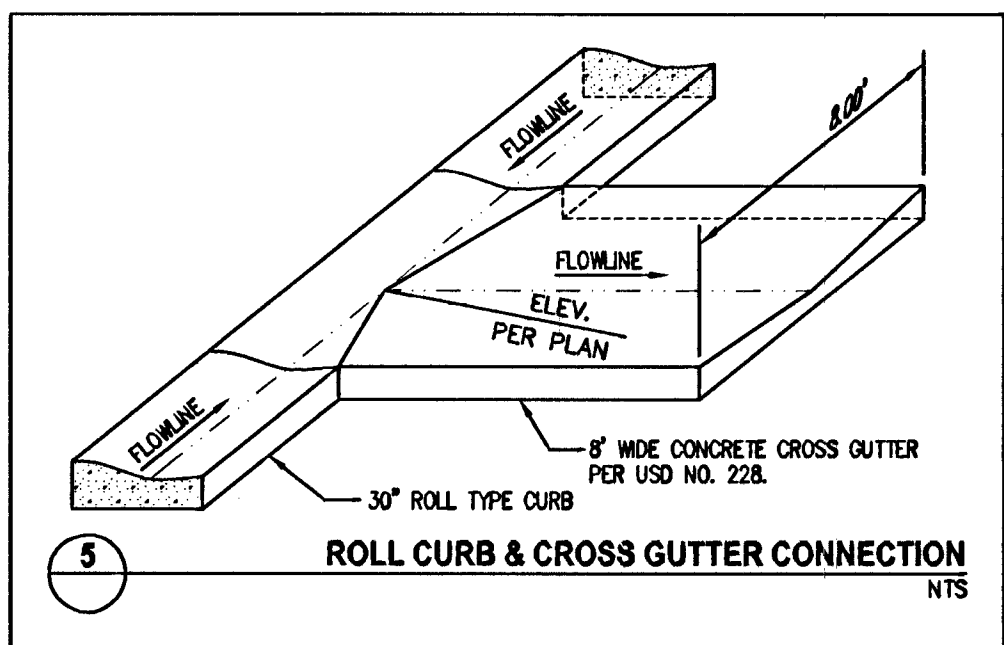
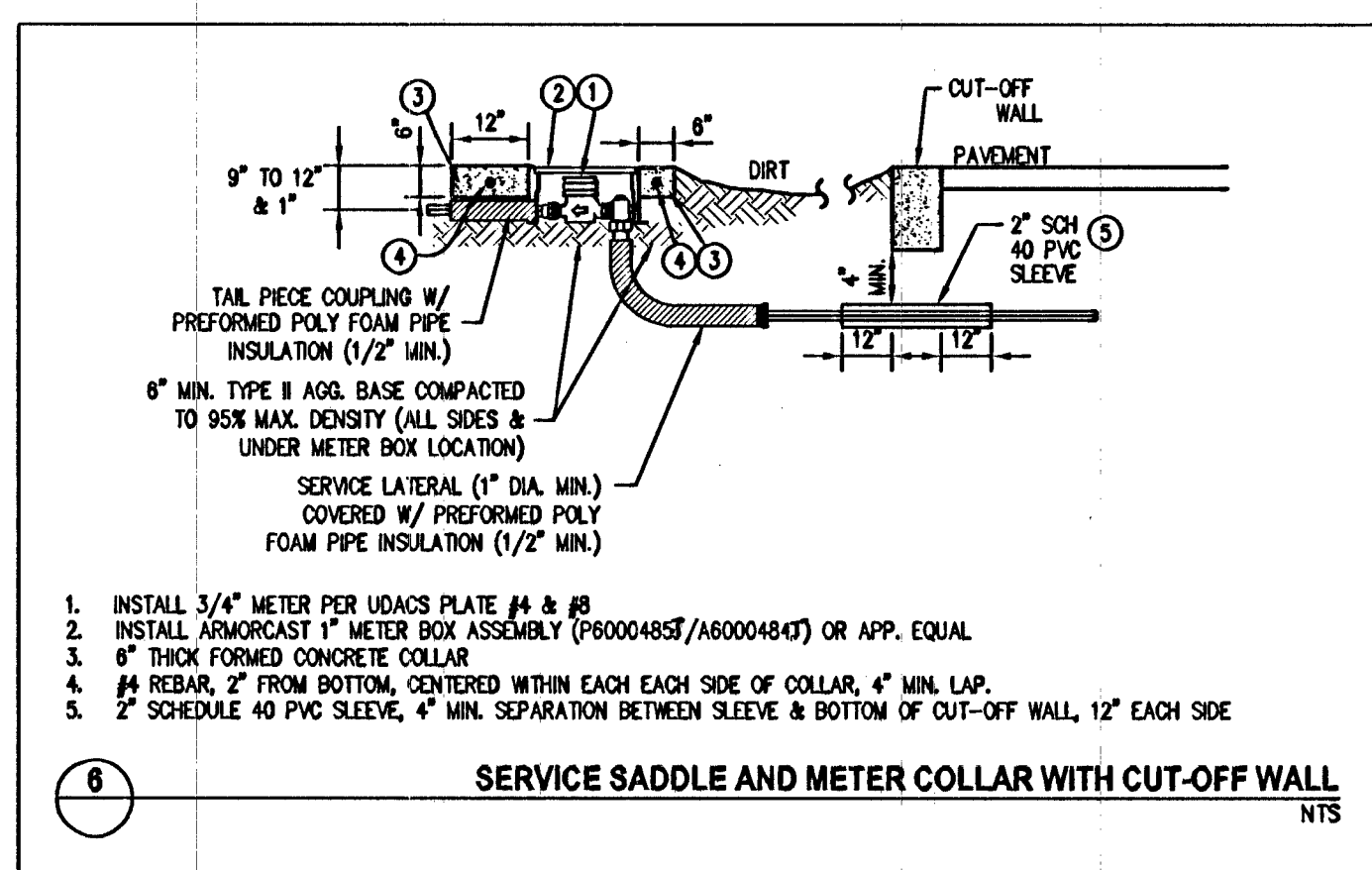
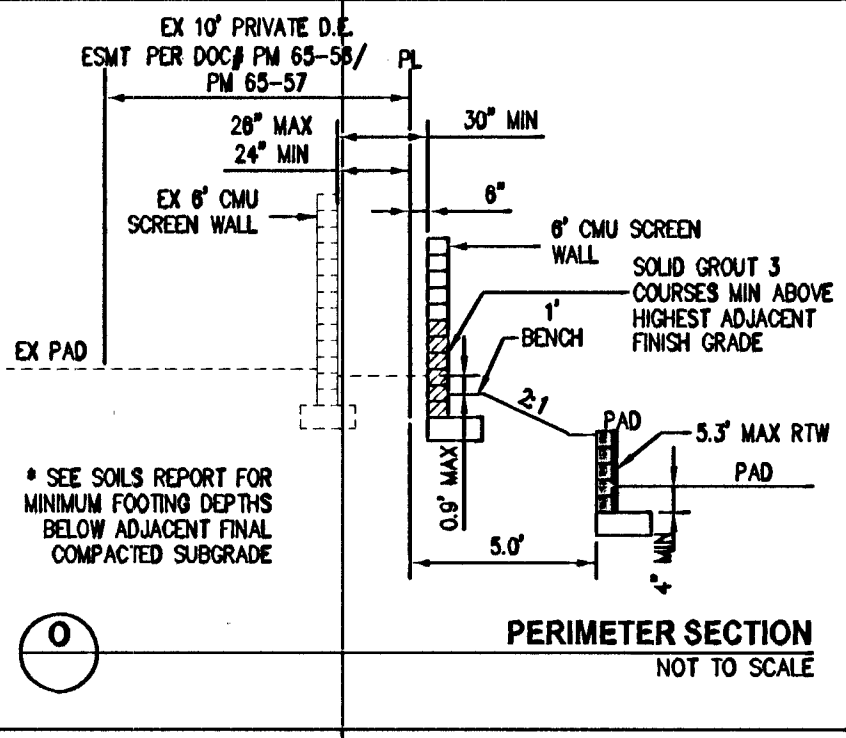
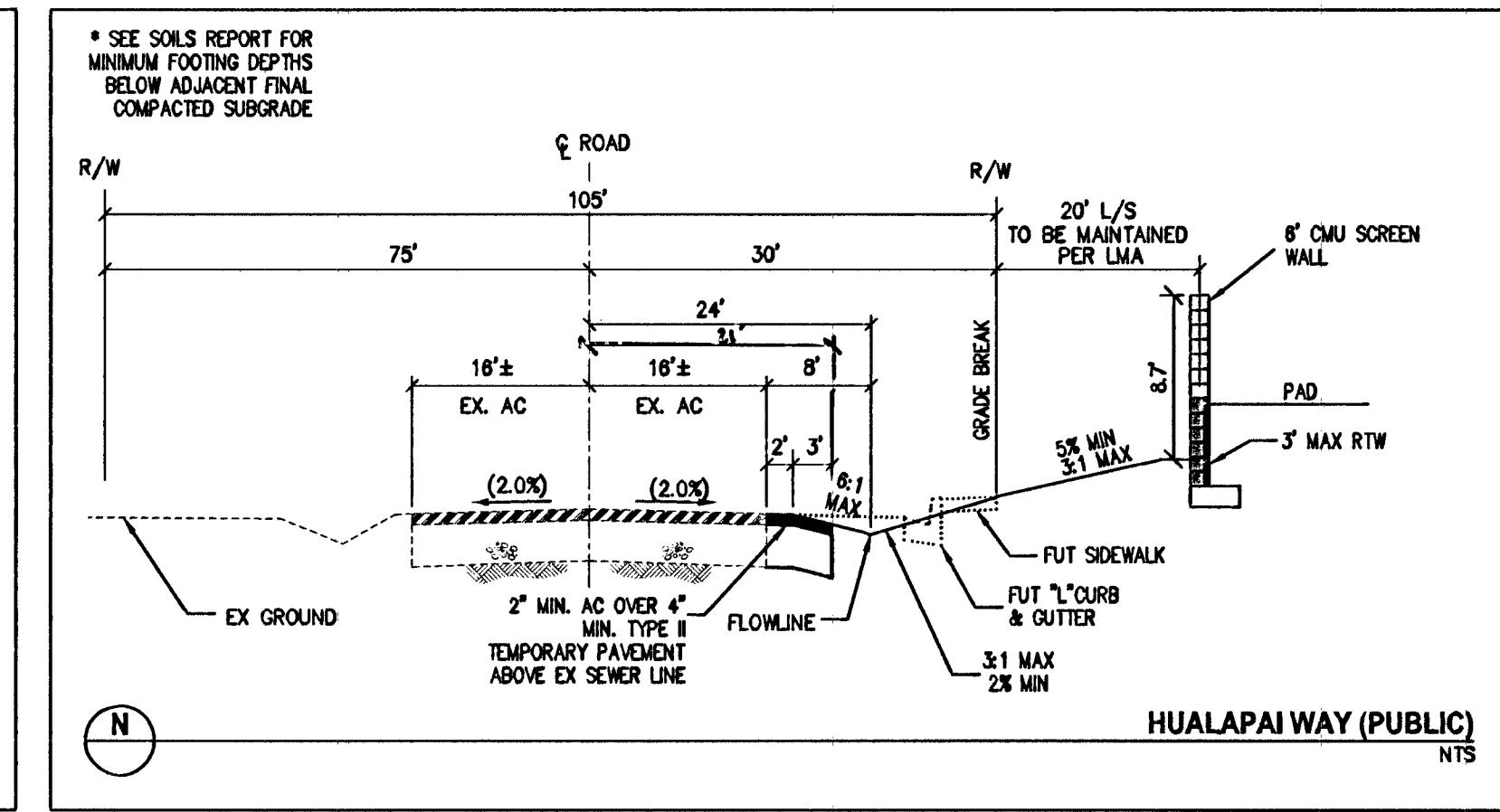
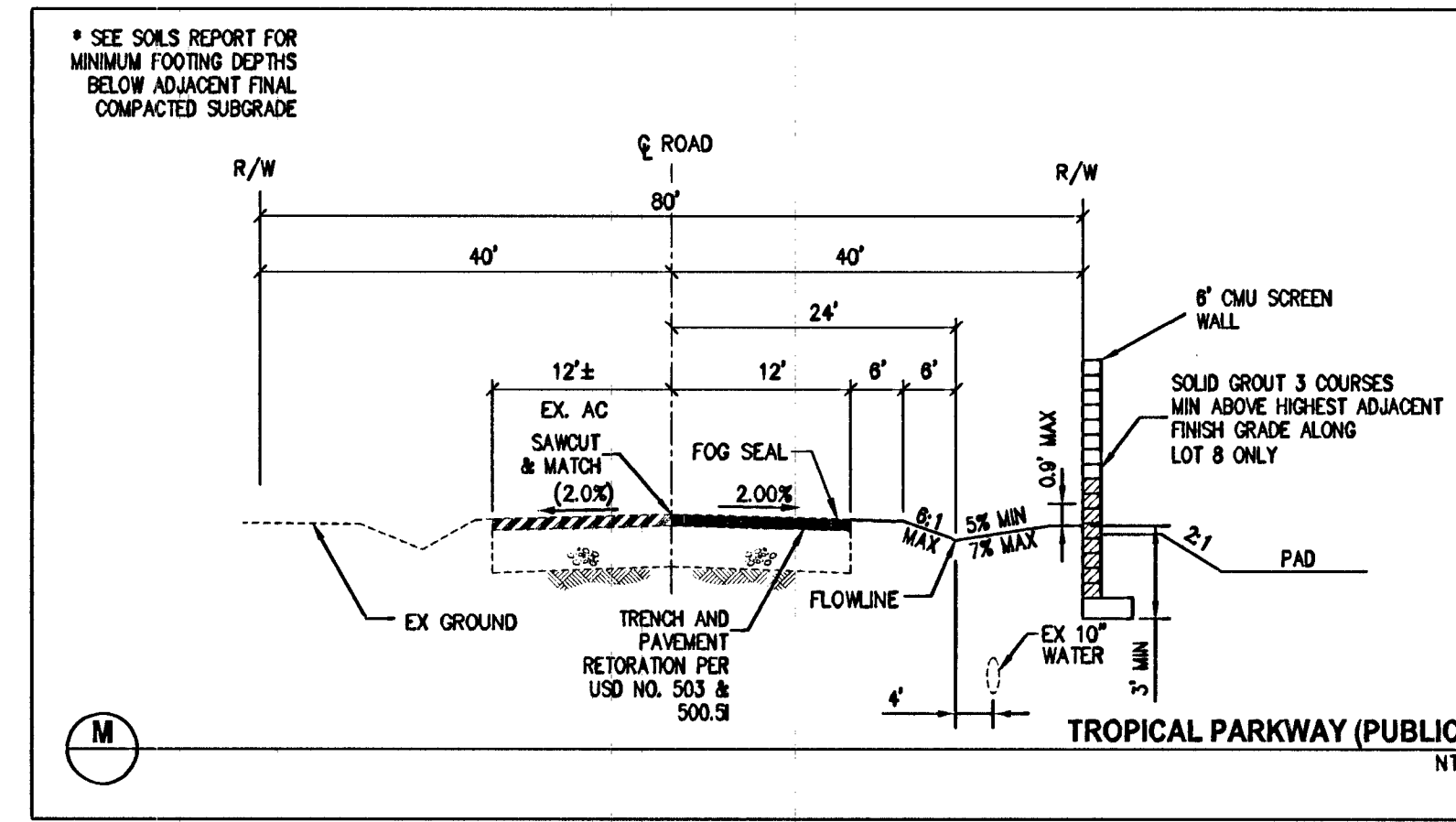
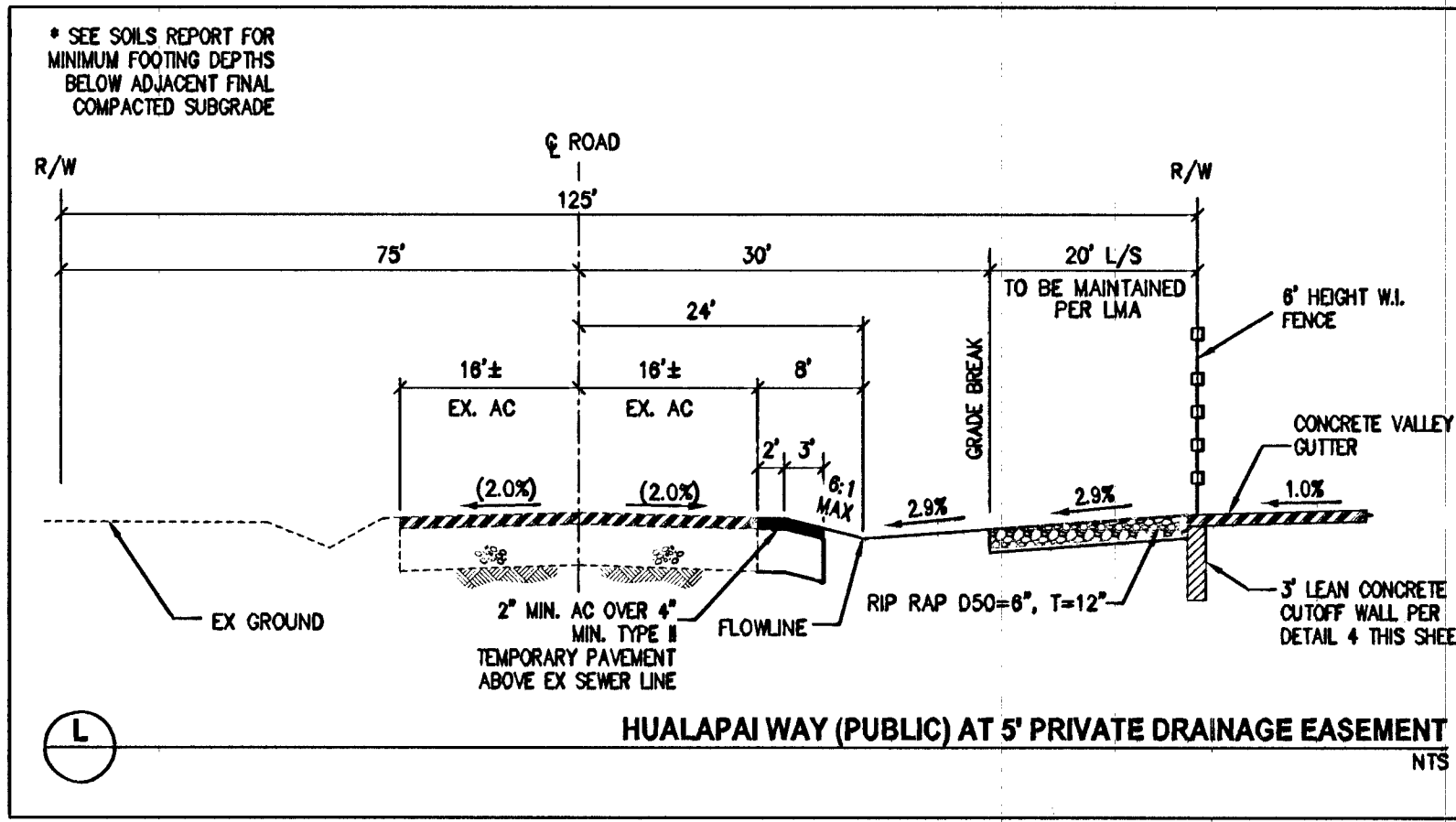
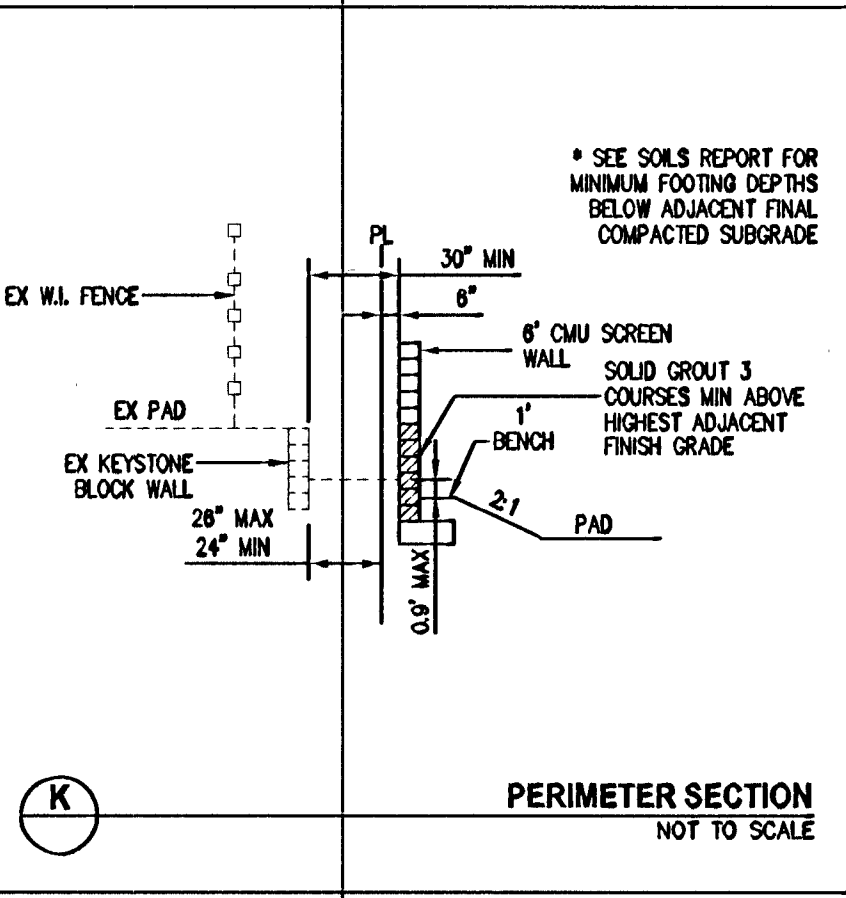
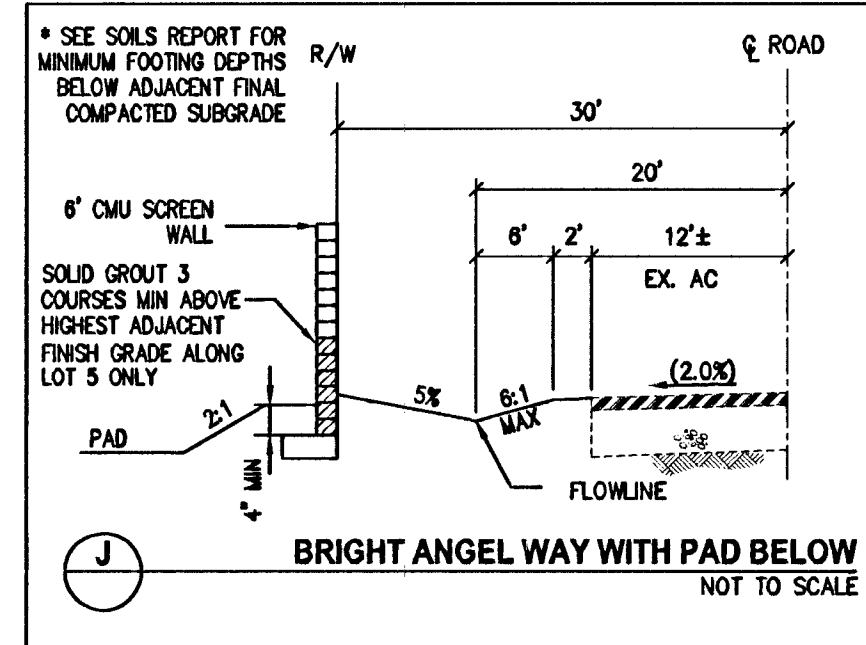
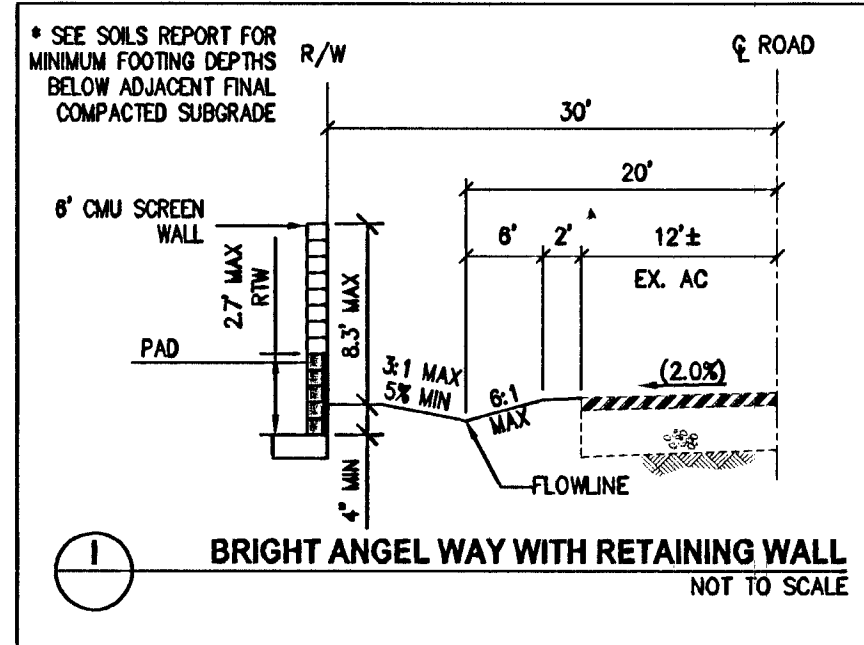
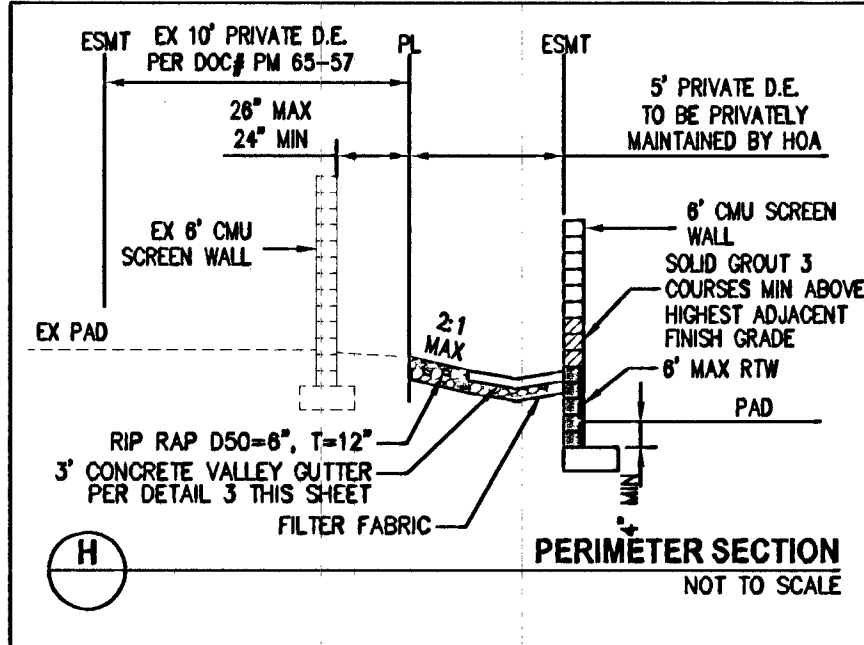
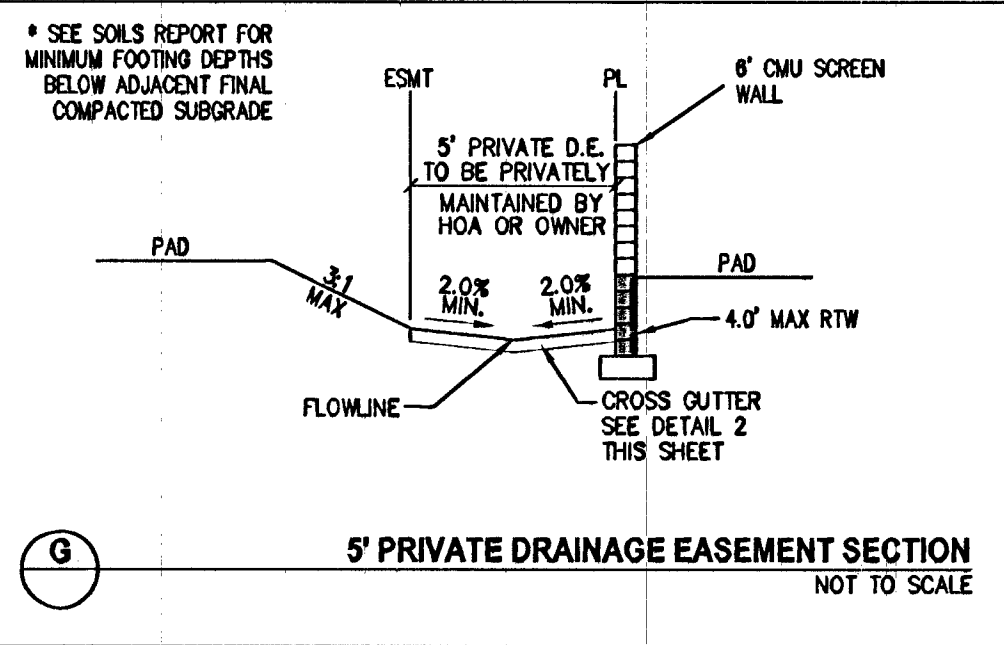
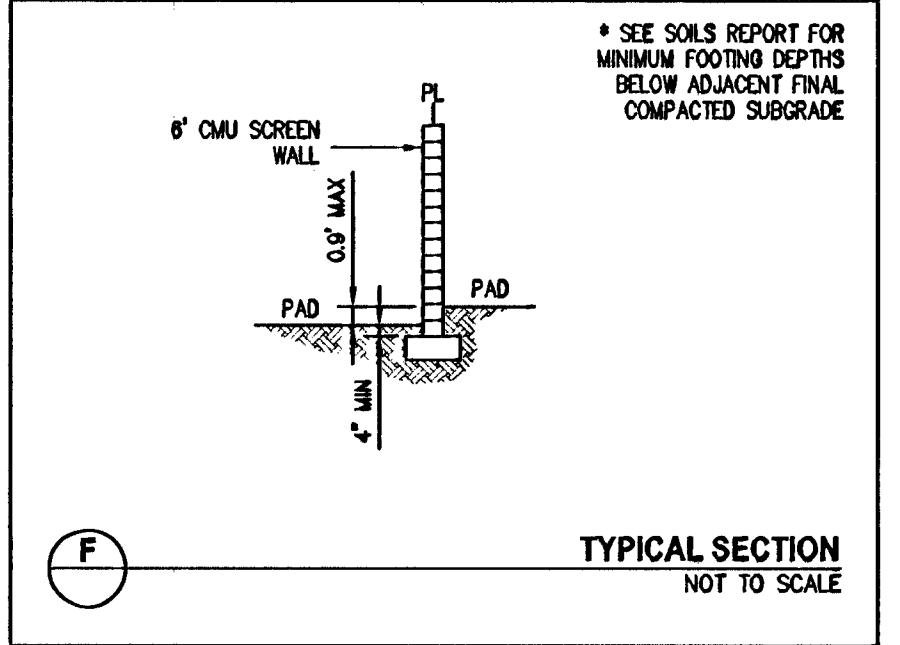
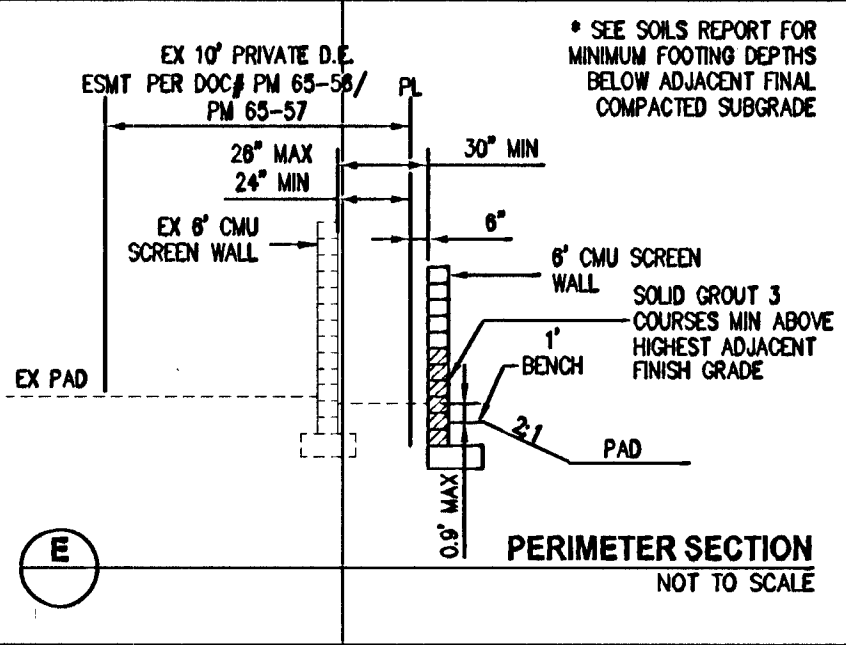
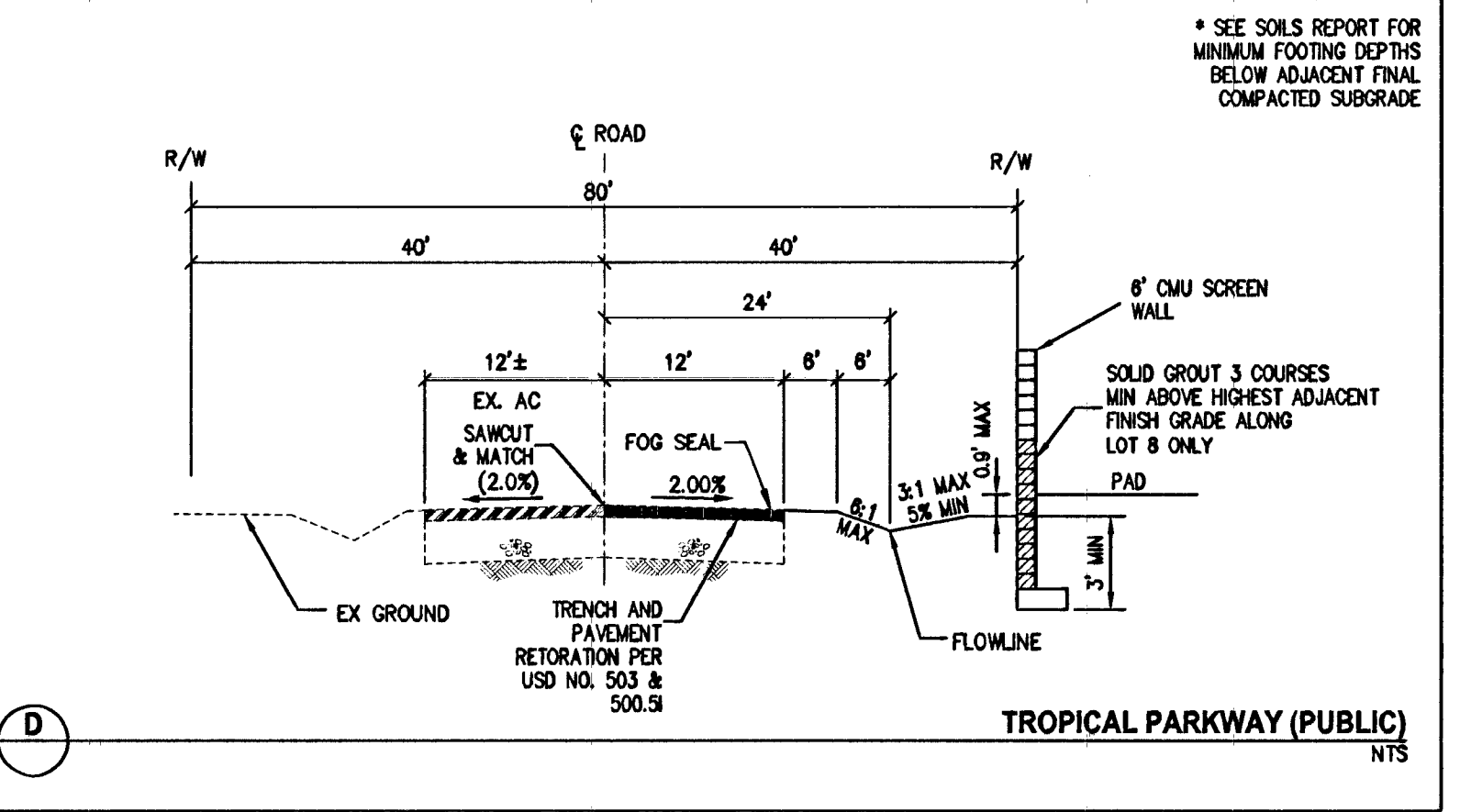
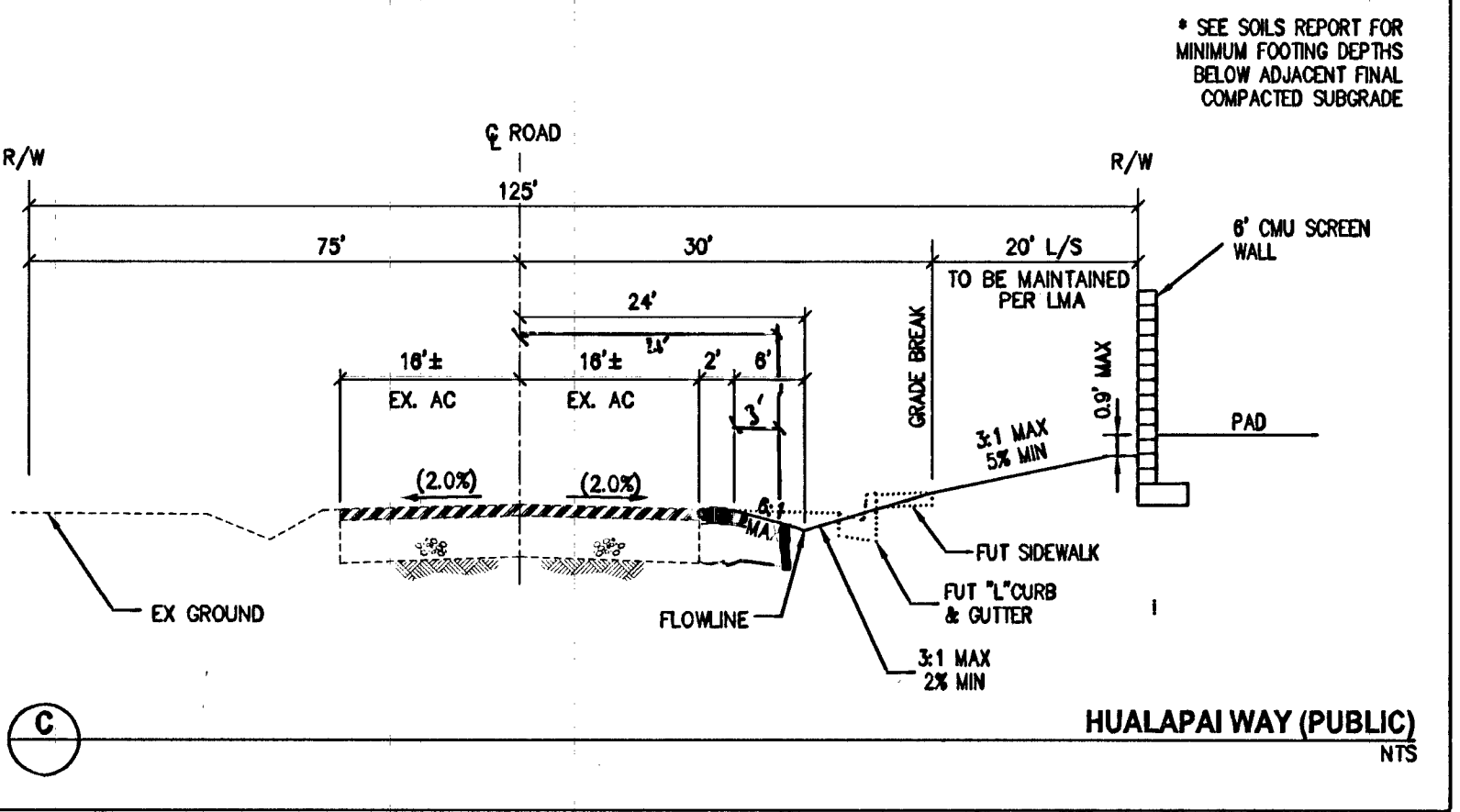
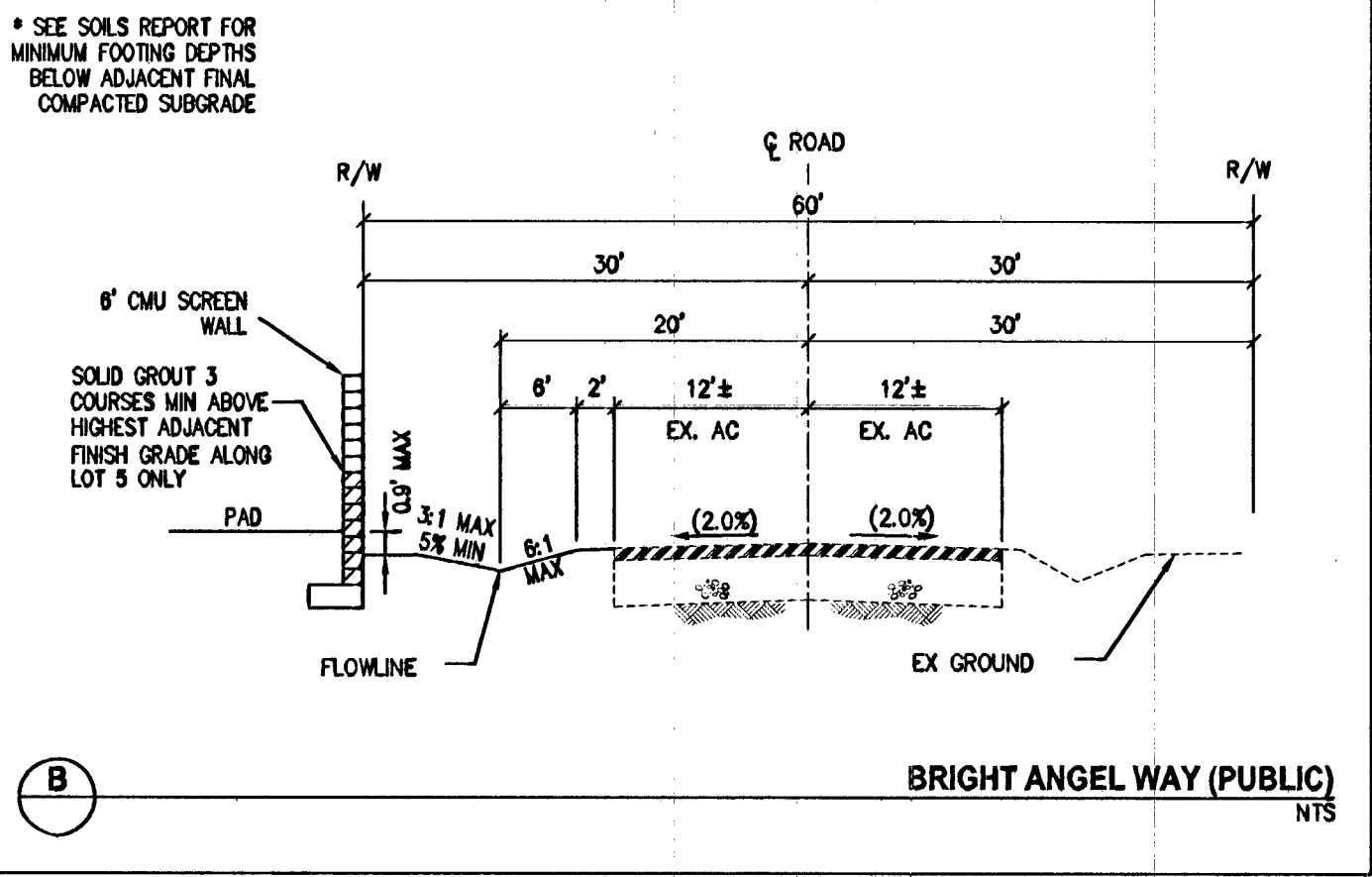
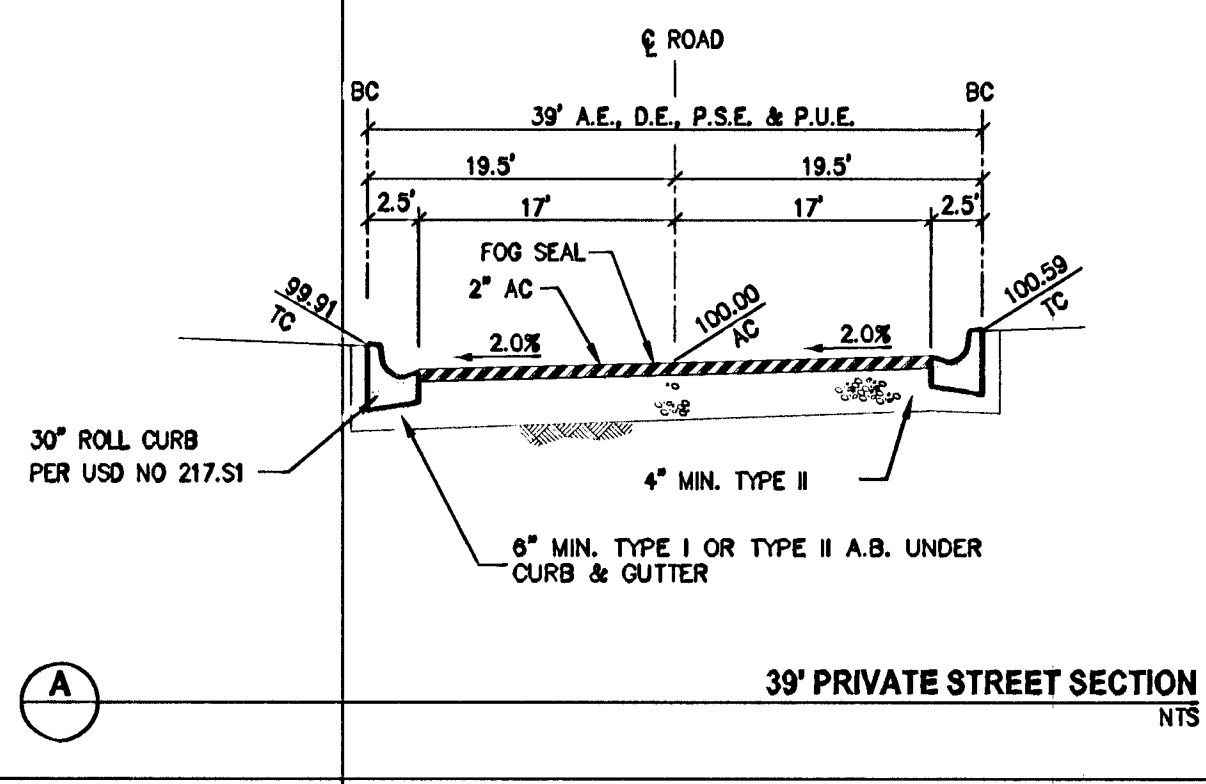
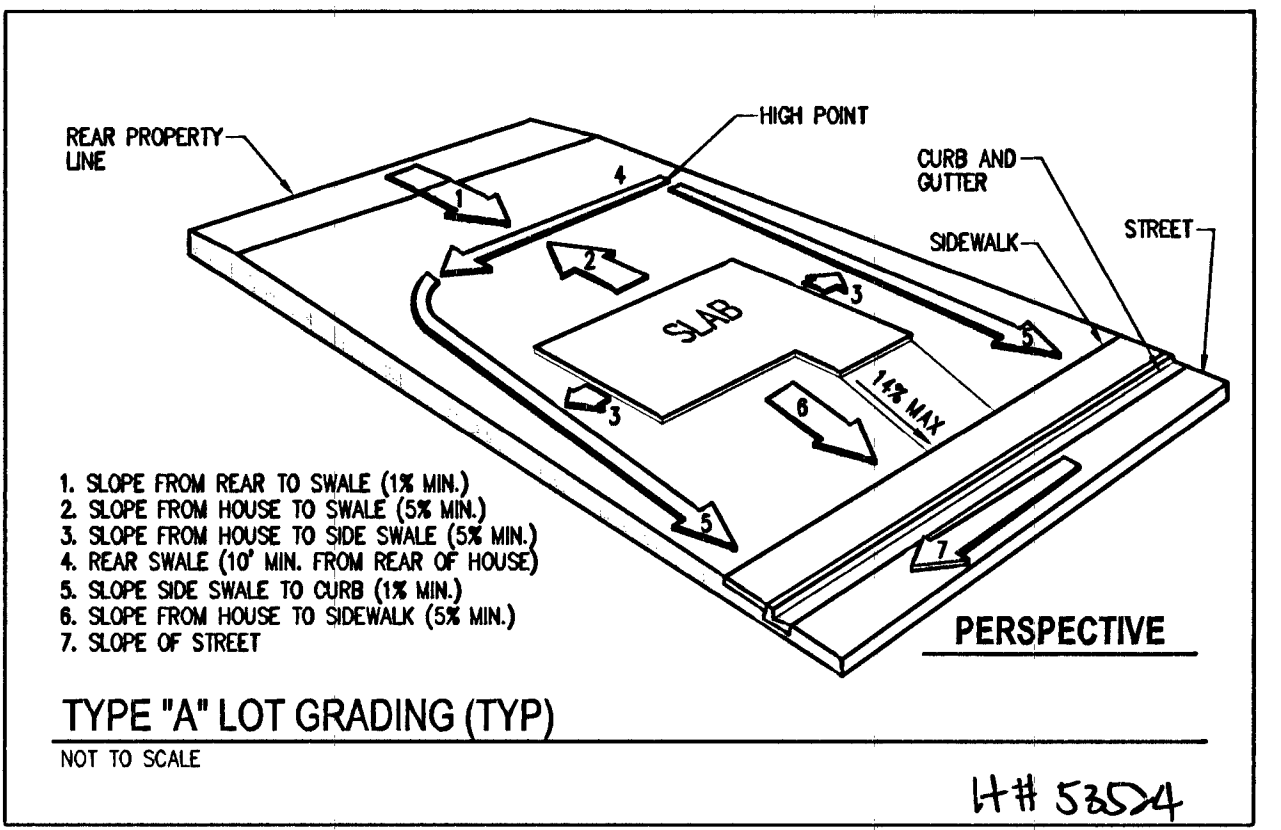


NOTE: ALL AGGREGATE BASES SHALL BE COMPACTED PER GEOTECHNICAL REPORT HTE#14-22372. PRELIMINARY PAVEMENT SECTIONS SHALL BE VERIFIED WITH THE FINAL PAVEMENTS SECTION RECOMMENDATION REPORT PRIOR TO CONSTRUCTION. IF FINAL PAVEMENT SECTIONS ARE DIFFERENT, A REVISION TO THE IMPROVEMENT PLANS WILL BE REQUIRED.



APPROVED FOR CONSTRUCTION  
*W. Disbari Ford*  
 LAS VEGAS VALLEY WATER DISTRICT ENGINEERING SERVICES MANAGER  
 PROJECT NO. 121901 DATE: 9/14/14



STATE OF NEVADA  
 ENGINEER  
 WESLEY T. PETTY  
 Exp. 12-31-18  
 No. 15181

PROJECT NO. 764-A107  
 DESIGN: HN  
 DRAWING: HN  
 CHECK: WTP  
 PLOT DATE: 09-02-14  
 PLOT TIME: 14:16:58  
 REV: DATE: AGEN: APP: DATE: GCW: APP: DATE: ICL: WTP

G. C. WALLACE COMPANIES  
 ENGINEERS | PLANNERS | SURVEYORS  
 1555 S. RAINBOW BOULEVARD, LAS VEGAS, NV 89146  
 T: 702.804.2000 • F: 702.804.2299 • GCWALLACE.COM

LAS VEGAS  
 P. Projects (702) 784-4107 • 001 (VME) Production V101707.rwg  
 Hao Nguyen

PULTE HOMES  
 PALMETTO  
 SECTIONS AND DETAILS I

DRAWING  
 307 V 012  
 DI  
 H# 5854  
 4 OF 9 SHTS