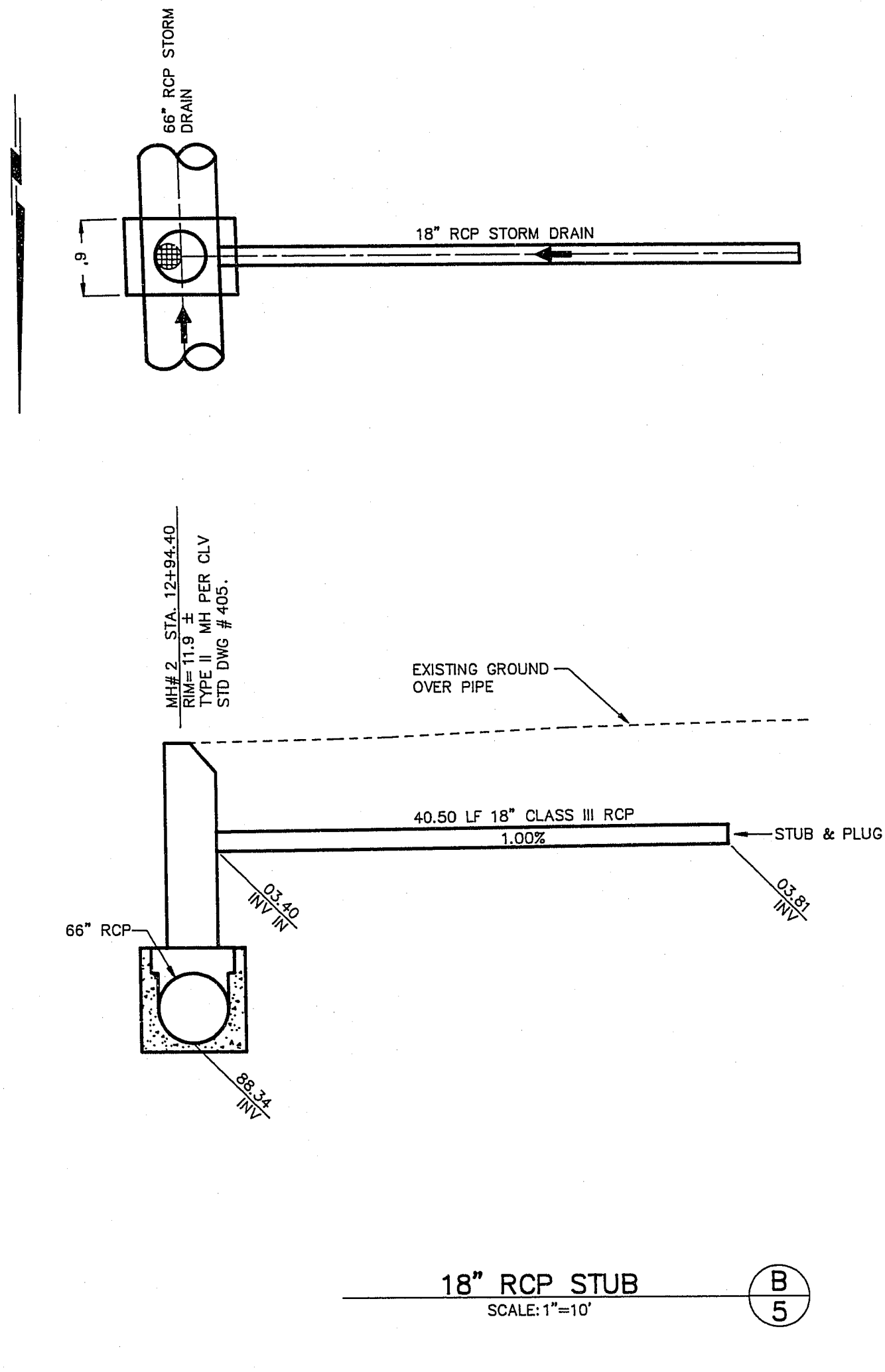
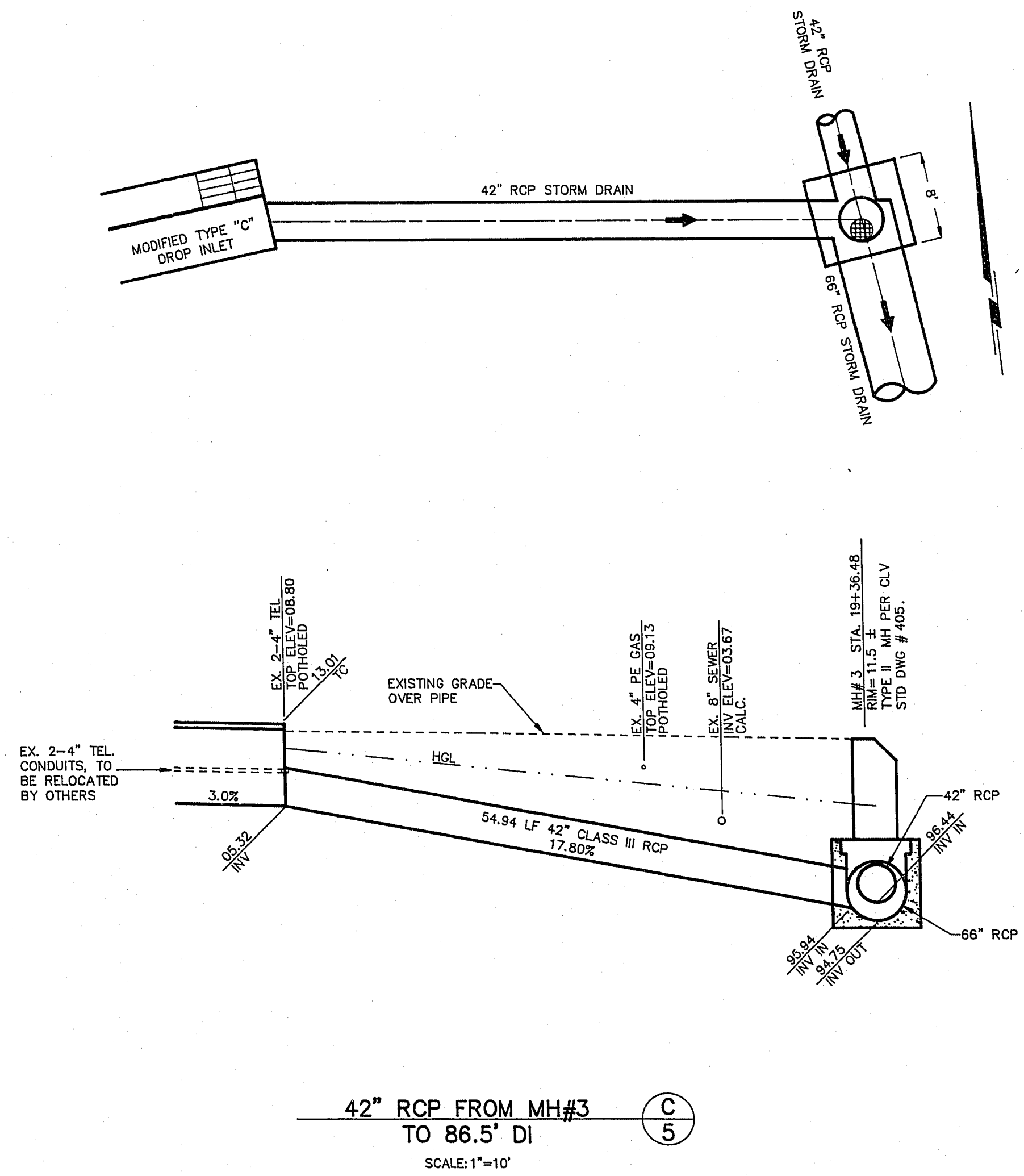


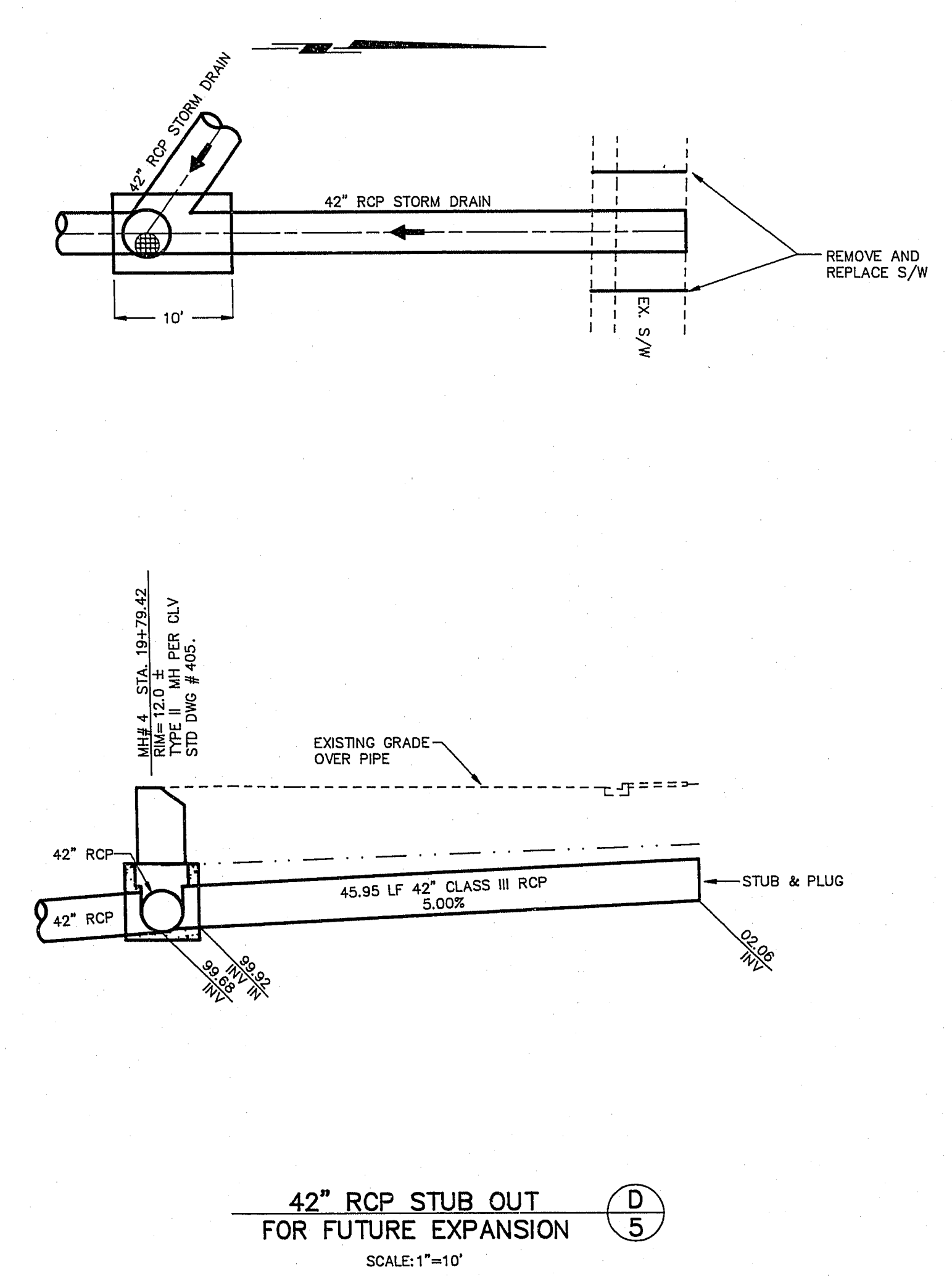
10' X 8' RCB JUNCTION  
W/ 66" RCP INLETS  
SCALE: 1"=10'  
A  
5



18" RCP STUB  
SCALE: 1"=10'  
B  
5



42" RCP FROM MH#3  
TO 86.5" DI  
SCALE: 1"=10'  
C  
5



42" RCP STUB OUT  
FOR FUTURE EXPANSION  
SCALE: 1"=10'  
D  
5

DATE		REVISIONS	
W.A. # WJ6406		DESIGN BY DLA	
SCALE (V) 1"=2'		DATE AUGUST 1993	
SCALE (H) 1"=10'		F.L.D. B.C. # N/A	
		<b>ENGINEERING DESIGN SECTION</b> DENNIS ANDERSON, P.E. DESIGN ENGINEER	
SHEET:		DETAIL SHEET	
DRAWING NO.		5	
731-55B		6	