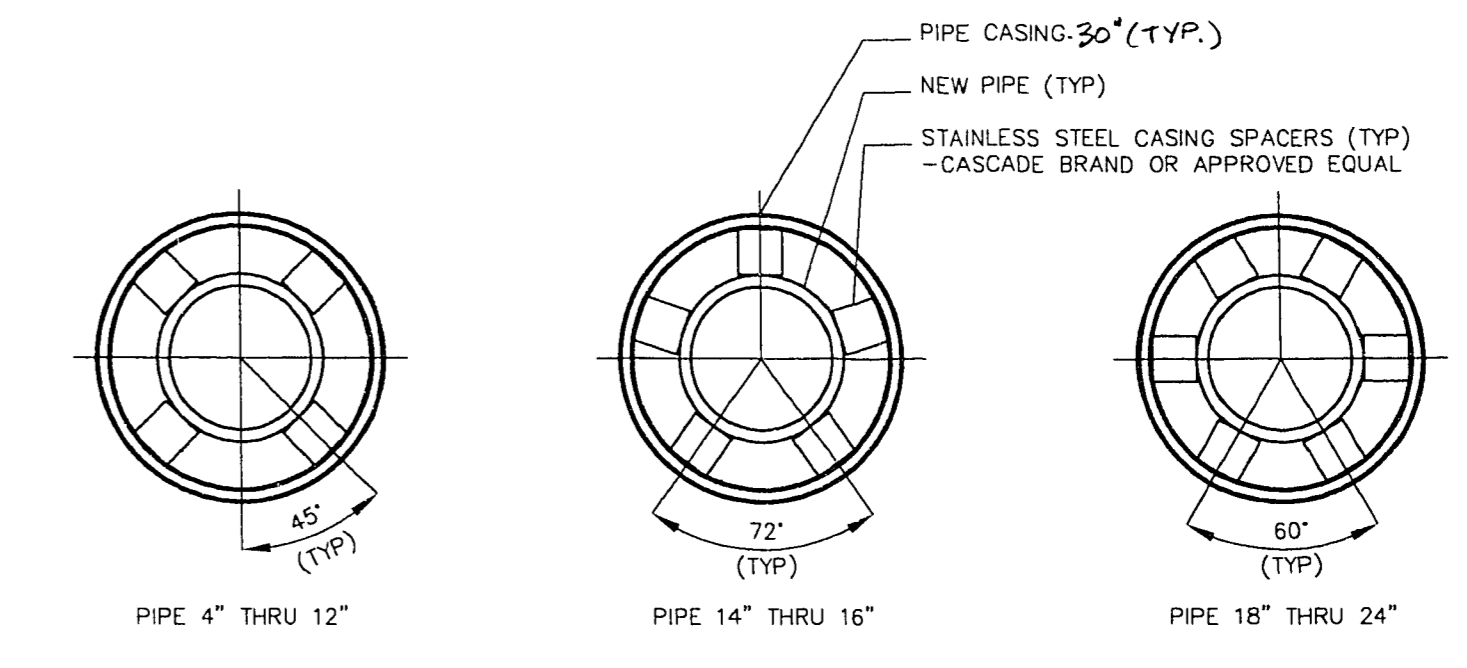
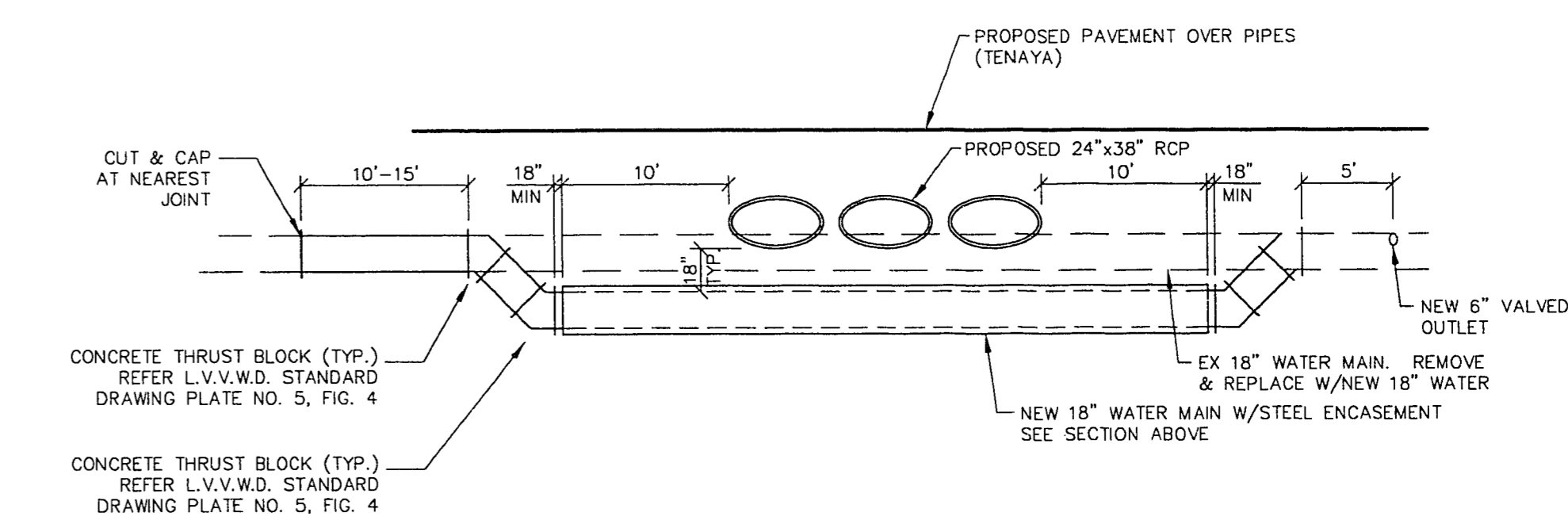


NOTE: ALL CASINGS ARE TO BE SYMMETRICAL ABOUT THE CENTERLINE OF PIPE.



- STEEL PIPE SHALL BE FABRICATED FROM A MINIMUM OF 1/4" THICK STEEL PLATES, CONFORMING TO THE REQUIREMENTS OF ASTM A238, GRADE B, C, OR D. ALL JOINTS SHALL BE WELDED. INTERIOR JOINTS SHALL BE GROUNDED TO A SMOOTH FINISH. ALL WELDING SHALL BE PERFORMED IN ACCORDANCE WITH AWWA C201, "AWWA STANDARD FOR FABRICATED ELECTRICALLY WELDED STEEL WATER PIPE". COATINGS FOR STEEL CASING ARE NOT REQUIRED.
- PIPE CASING SHALL BE LAID TRUE TO LINE AND GRADE WITH NO BENDS OR CHANGES IN GRADE FOR THE FULL LENGTH OF THE CASING.
- THE PIPE SHALL BE SUPPORTED AT EACH END OF EACH JOINT WITH SPACERS. AFTER INSTALLATION OF THE PIPE, THE CASING SHALL BE SEALED AT BOTH ENDS WITH CASING END SEALS.

SECTION



WHERE THE WATER LINE IS LESS THAN 18" OVER THE SEWER LINE, WHERE THE WATER LINE IS UNDER THE SEWER LINE, AND THE HORIZONTAL SEPARATION, AS REQ'D. BY THE WATER SUPPLY REGULATIONS, CANNOT BE MAINTAINED BECAUSE OF PHYSICAL OBSTRUCTIONS, THE WATER LINE SHALL BE PROTECTED BY CONSTRUCTION OF THE STORM/SEWER AS FOLLOWS:

- EXTRA HEAVY CAST IRON PIPE.
- WATER SUPPLY QUALITY MATERIALS; OR
- ENCASEMENT WITH FOUR INCHES, MINIMUM, OF CONCRETE OR SLEEVING WITH WATER SUPPLY QUALITY PIPE.

EACH OF THESE PROVISIONS SHALL ALSO BE EXTENDED FOR OTHER THAN 90 DEGREE CROSSINGS TO THE POINT AT WHICH THE TEN FOOT SEPARATION BETWEEN THE WATER AND SEWER LINES IS ACHIEVED (10/SINE OF CROSSING ANGLE).

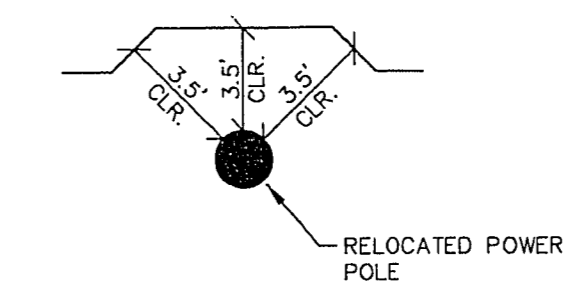
E 6
SCALE: N.T.S.

PROPOSED LOWERING OF 18" WATER MAIN IN TENAYA AVENUE

- PROJECT TO BE COMPLETED IN TWO (2) SHUT DOWNS
- SHUT DOWNS NOT TO EXCEED FOUR (4) HOURS EACH.
- TOTAL DURATION BETWEEN SHUT DOWNS NOT TO EXCEED SEVENTY TWO (72) HOURS.
- NIGHT WORK FOR SHUT DOWNS.
- ALL NEW PIPING TO BE 18 INCH DIP W/ RESTRAINED JOINTS.
- PROPERTY OWNER TO BE NOTIFIED.
- TRIAL SHUT DOWN.
- CONCRETE TO BE HIGH EARLY $f'c = 3000$ PSI MINIMUM FOR ALL WORK

PROJECT STEPS:

- 18" x 6" WET TAP AND RECONNECT LINE TO EAST OF "PINES CORPORATE CENTER"
- EXCAVATE IN AREA OF PROPOSED LOWERING
- FIRST SHUT DOWN, INSTALL CUT AND CAP AT SOUTH END, 10' TO 15' FROM LOWERING
- CLOSE VALVE TO NORTH
- REMOVE OLD AND INSTALL NEW 18" DIP
- SECOND SHUT DOWN AND CONNECT TO SOUTH END



F 6
SCALE: N.T.S.

SIDEWALK DETAIL AT RELOCATED POWER POLE

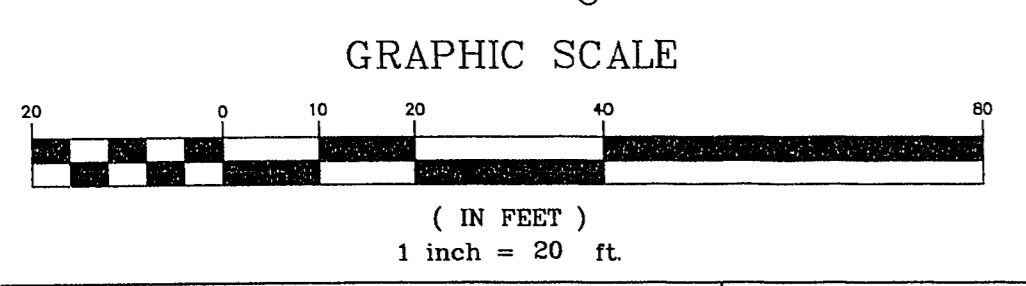
BENCHMARK

CLVBM NO. 01V00 3454
RIVET & PLATE IN TOP OF CURB NORTHEAST
RETURN OF CHARLESTON BLVD. AND ANTELOPE WAY
ELEVATION (NAVD 88) = 2447.242'

[Signature]
LVVWD DATE 7/22/96

CONSTRUCTION NOTES

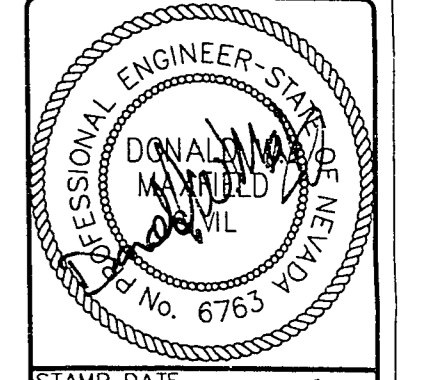
- EXISTING EDGE OF PAVEMENT.
- EXISTING AC PAVEMENT.
- EXISTING IMPROVEMENTS.
- CONSTRUCT NEW AC PER TYPICAL SECTION ON SHEET 4 OF 7
- CONSTRUCT NEW CURB/GUTTER AND SIDEWALK PER TYPICAL SECTION ON SHEET 4 OF 7
- CONSTRUCT 6" WIDE VALLEY GUTTER PER STD. DWG. #228.
- CONSTRUCT SIDEWALK RAMP PER STD. DWG. #235, CASE 1. SEE S/W RAMP DATA, SHEET 2 OF 7



NOTICE TO CONTRACTOR !
EXISTING UTILITY LOCATIONS SHOWN HEREON ARE APPROXIMATE ONLY. IT SHALL BE THE CONTRACTOR'S RESPONSIBILITY TO DETERMINE THE EXACT VERTICAL AND HORIZONTAL LOCATION OF ALL EXISTING UNDERGROUND UTILITIES PRIOR TO COMMENCING CONSTRUCTION. NO REPRESENTATION IS MADE THAT ALL EXISTING UTILITIES ARE SHOWN HEREON. THE ENGINEER ASSUMES NO RESPONSIBILITY FOR UTILITIES NOT SHOWN OR UTILITIES NOT SHOWN IN THEIR PROPER LOCATION.

AVOID CUTTING UNDERGROUND UTILITIES. IT'S COSTLY.
CALL before you Dig
1-800-227-2600
UNDERGROUND SERVICE (USA)

NO.	DATE	BY	APPROV.	REVISION DESCRIPTION
1	5/18/96	LVV		REV. DEPT. FILE



STAMP DATE 7-2-96

SOUTHWEST ENGINEERING
LAND PLANNING • MAPING • DEVELOPMENT
5426 W. VEGAS DRIVE
LAS VEGAS, NEVADA 89108
(702) 648-9700

STREET/SEWER PLAN & PROFILE
TENAYA WAY

PROF. OFFICE at CHARLESTON & TENAYA

PROJECT TITLE

WORK ORDER NO. 950910

DESIGN BY: C.M./S.G.

DATE: 3/25/96

SCALE: HOR. 1" = 20'
VERT. 1" = 2'

CADFILE: CT-PROF.DWG

SHEET 6 OF 7 SHEETS

29-2-746

107-V2486