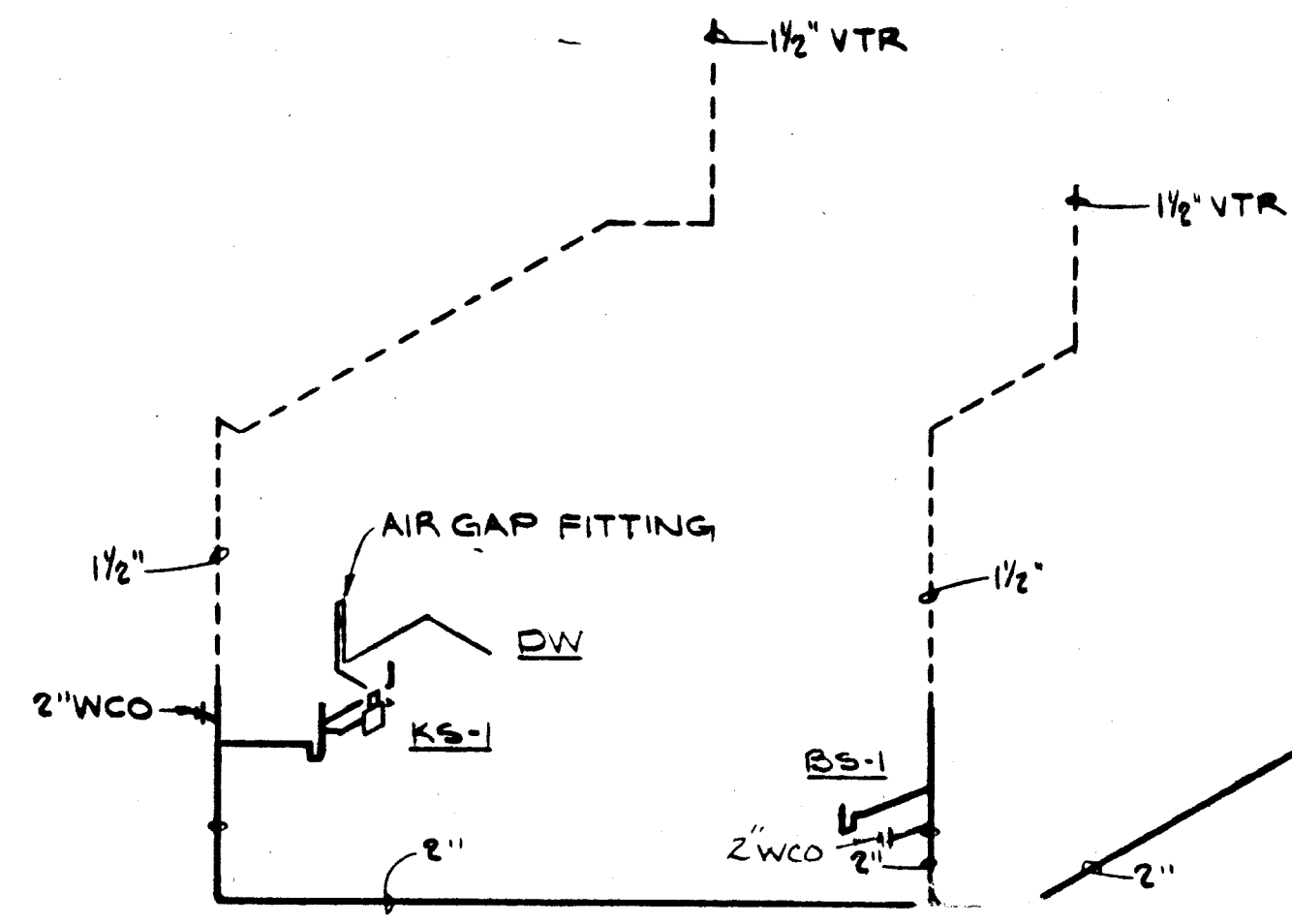
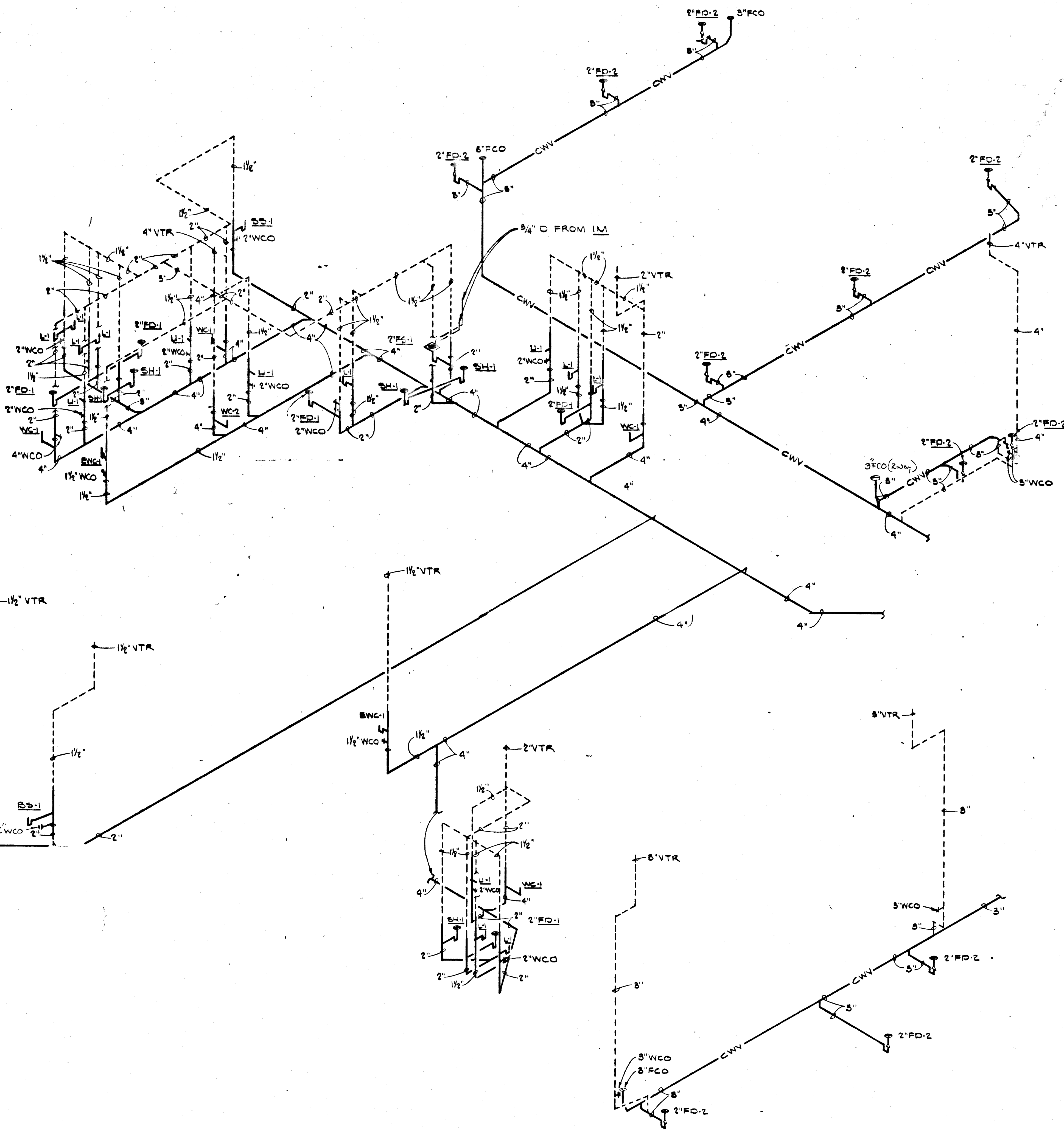


NOTE
 INTERCEPTOR SHALL BE OF PRECAST REINFORCED CONCRETE OR CAST IN PLACE CONCRETE WITH #4 REBAR AT 12" O.C. CENTERED IN THE CONCRETE.

MUD/SAND & GREASE/OIL INTERCEPTOR

NO SCALE



S/W & V PIPING DIAGRAM

NO SCALE

AS-BUILT 12-15-89

RECORD DRAWING

<p>HARRIS ENGINEERS, INC. MECHANICAL/ELECTRICAL CONSULTANTS 2198 East Desert Inn Road, Suite 200 Las Vegas, Nevada 89119 (702) 735-1100</p>	
<p>G.C. WALLACE, INC. Engineering/Architecture 1885 South Rainbow Blvd. 4th Floor, Reno, NV 89502 (775) 785-1100</p>	<p>LAS VEGAS FIRE DEPARTMENT CITY OF LAS VEGAS, NEVADA PLUMBING PIPING DIAGRAMS & DETAILS FIRE STATION NUMBER 4</p>
<p>DATE: 11-01-89 DRAWN: A.D.C.M. CHECKED: P.T.H.</p>	<p>SHEET 76 P.1.3 112 SHEETS</p>

4013 0580