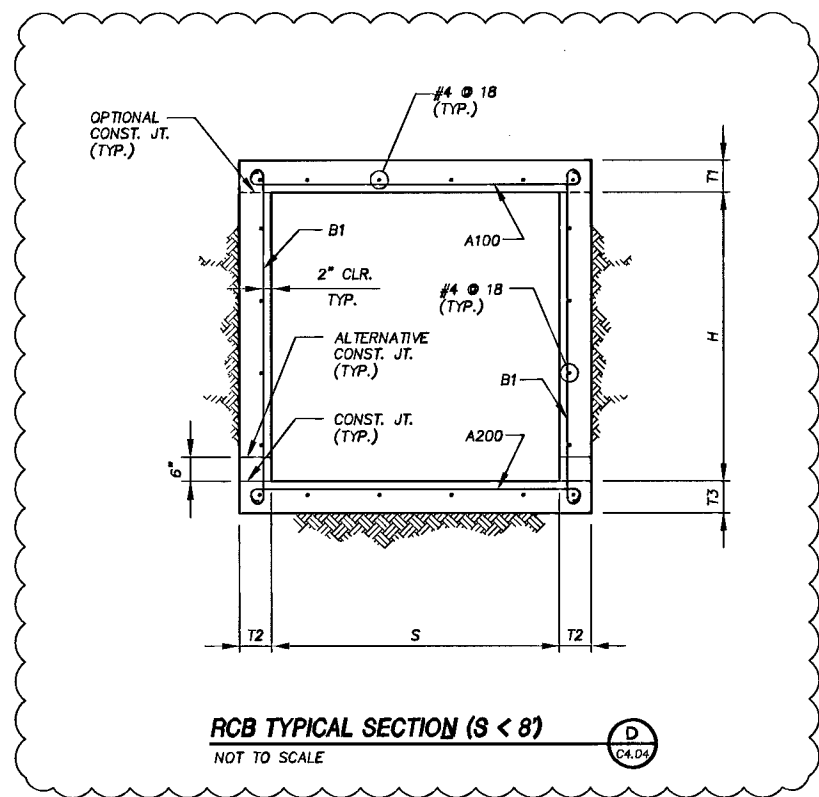
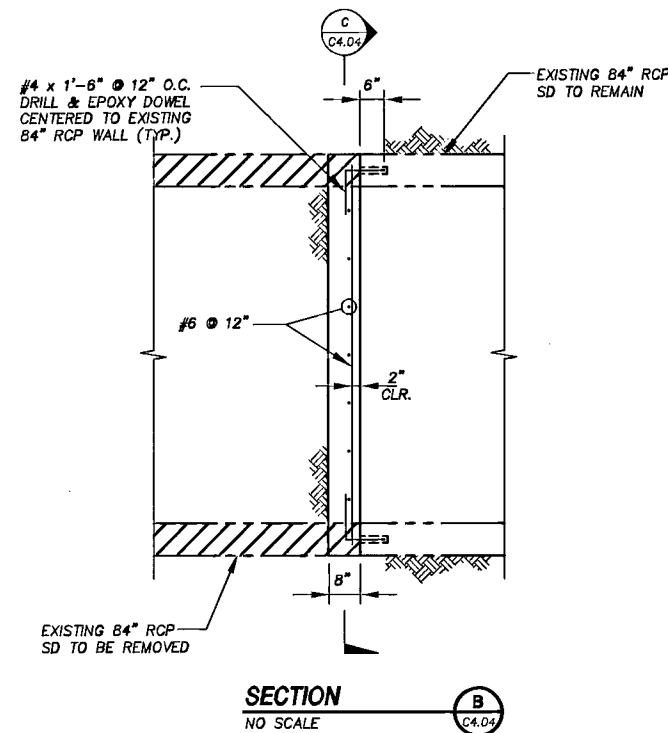


RCB TYPICAL SECTION (S > 8)
NO SCALE

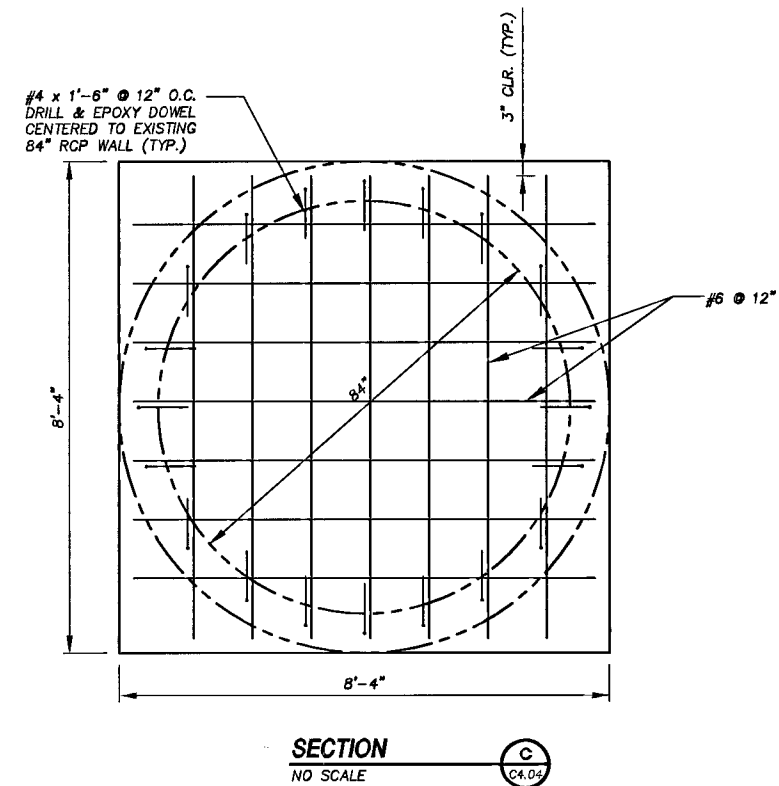


RCB TYPICAL SECTION (S < 8)
NOT TO SCALE

REINFORCED CONCRETE BOX SCHEDULE							
SPAN S (ft)	6	6	7	8	18	19	19
HEIGHT H (ft)	3	5	3	5	9	7	8
Max. Fill Cover (ft.)	5	10	5	11	11	10	10
ROOF T1 (in)	7	7	8	8	13	14	14
WALL T2 (in)	7	7	8	8	12	12	12
INVERT T3 (in)	7	7	8	8	13	14	14
"A1" Bars	NONE	NONE	NONE	NONE	#6 @ 4"	#6 @ 4"	#6 @ 4"
"A2" Bars	NONE	NONE	NONE	NONE	#6 @ 4"	#6 @ 4"	#6 @ 4"
"A100" Bars	#5 @ 4"	#5 @ 4"	#5 @ 4"	#6 @ 4"	#7 @ 4"	#7 @ 4"	#7 @ 4"
"A200" Bars	#5 @ 4"	#5 @ 4"	#5 @ 4"	#6 @ 4"	#7 @ 4"	#7 @ 4"	#7 @ 4"
"B1" Bars	#5 @ 12"	#5 @ 12"	#5 @ 12"	#5 @ 12"	#6 @ 8"	#5 @ 4"	#5 @ 4"
"B2" Bars	NONE	NONE	NONE	NONE	#5 @ 4"	#6 @ 4"	#6 @ 4"
B	NONE	NONE	NONE	NONE	4'-5"	4'-7"	4'-7"
BW	NONE	NONE	NONE	NONE	3'-6"	3'-7"	3'-7"



SECTION B
NO SCALE



SECTION C
NO SCALE

84" RCP PLUG

DATE: 11/05/09	REVISION: REVISED RCB DESIGN
----------------	------------------------------

DEPARTMENT OF PUBLIC WORKS
ENGINEERING DESIGN SECTION
CITY ENGINEER: CHERI EDELMAN, P.E.
CITY PROJECT ENGINEER: MICHAEL STURDIVANT, P.E.
PROJECT MANAGER: ANGELO SPATA, P.E.
DESIGN BY: LL
CHECK BY: JC/KO
DRAWN BY: LP
DATE: MAY 2009

TITLE: OAKLEY/MEADOWS STORM DRAIN PHASE 1
CHARLESTON BOULEVARD TO ALTA DRIVE
SHEET: REINFORCED CONCRETE BOX TYPICAL SECTION AND 84" RCP PLUG DETAIL

PROFESSIONAL ENGINEER
JAMES A. CHANG
EXP. 12-31-18
CIVIL
No. 40025
DIVISION 30

SHEET: **C4.04**
76 of 139
DRAWING: **327V284**

PBSJ
2270 Corporate Circle Drive
Suite 100
Henderson, Nevada 89074
Telephone: 702/263-7275
Fax: 702/263-7200
ENGINEERING · PLANNING · SURVEYING · CONSTRUCTION SERVICES

X:\Transportation Design Nevada\projects\511566\PHASE 1 Sheets\1566-PH1 C4.04 *11-04-09 02:37pm

120217