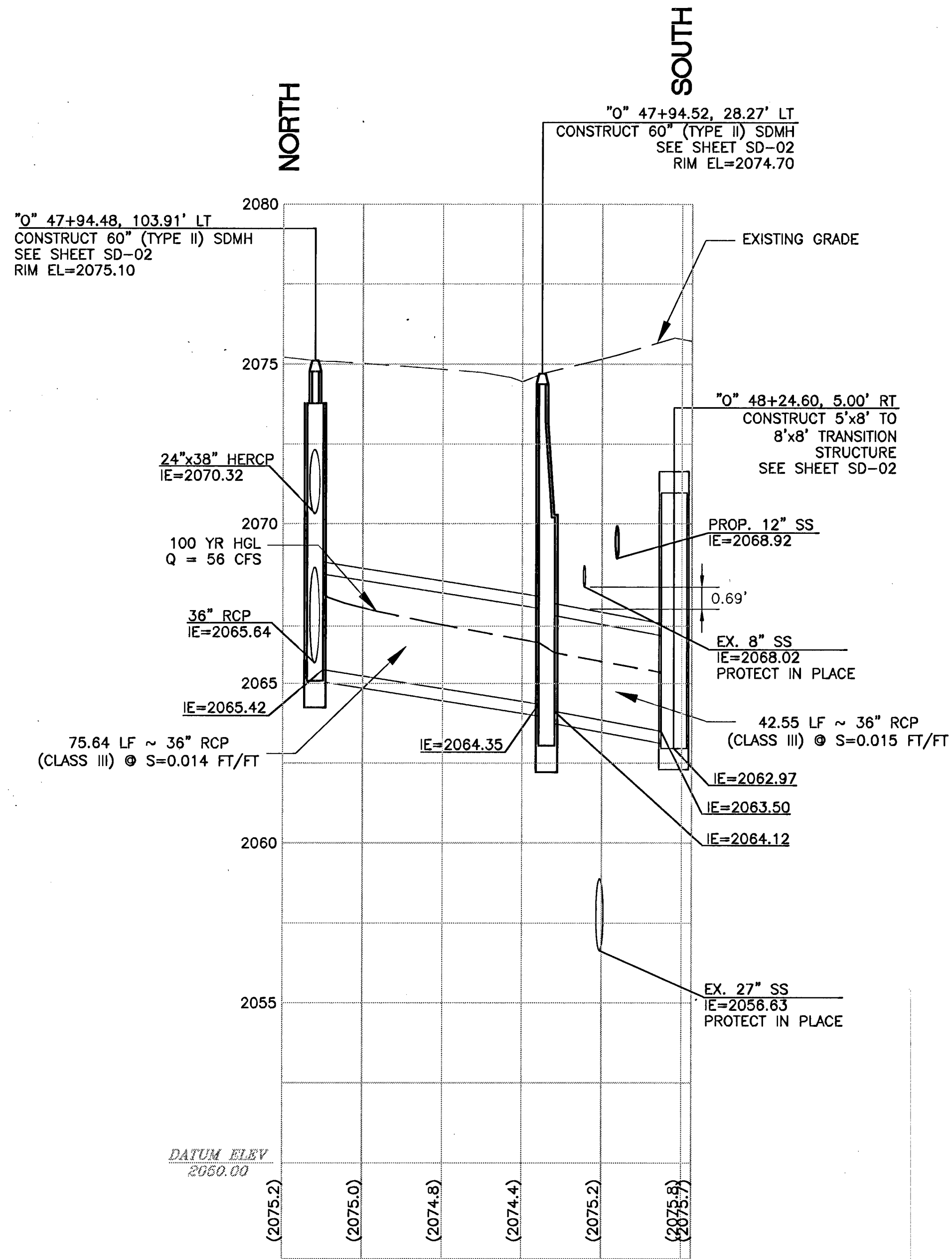
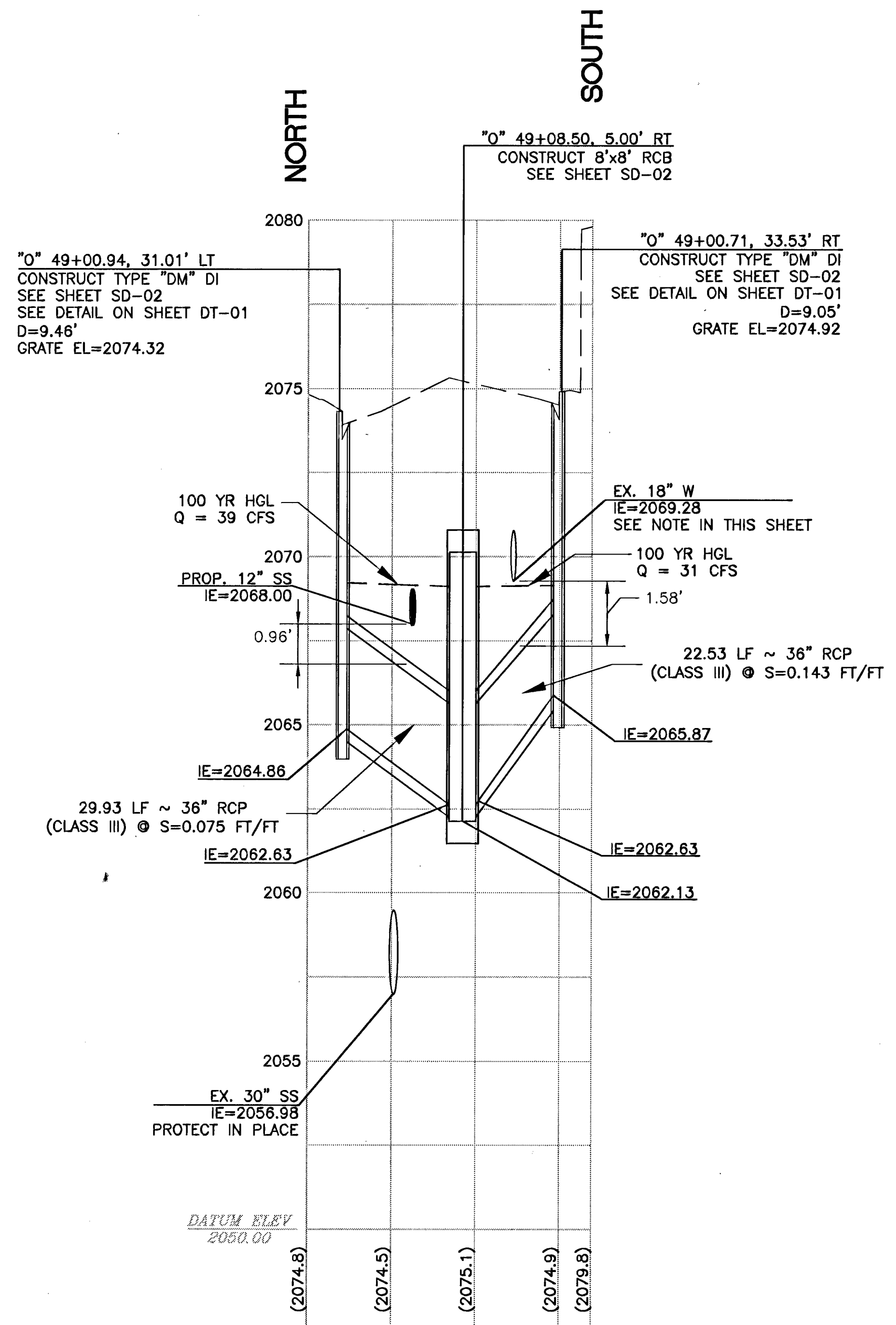


LATERAL PROFILE 'O' STA. 47+94.48 LT
LAT. 4



LATERAL PROFILE 'O' STA. 48+24.60 LT
LAT. 5



LATERAL PROFILE 'O' STA. 49+08.50
LAT. 6

NOTE:
BACKFILL DRAIN INLETS WITH CLASS I CLSM WHERE WATER MAIN
AND DRAIN INLET HORIZONTAL SEPARATION IS LESS THAN 6 FT.

WHERE SD LATERAL IS WITHIN 18" VERTICAL FROM EXISTING WATER LINE:
1. IF SD IS $\geq 24"$, APPLY ELASTOMETRIC JOINT SEALANT TO SD
2. IF SD IS $< 24"$, CONSTRUCT SD WITH C-905, WATER QUALITY
PIPE, OR SLURRY SD PER UDACS SECTION 2.19.01-B2c

NO.	DATE:	DESCRIPTION

DEPARTMENT OF PUBLIC WORKS
ENGINEERING DESIGN SECTION

CITY ENGINEER: JORGE CERVANTES, P.E., P.T.O.E.
PROJECT MANAGER: ROSA CORTEZ, P.E.

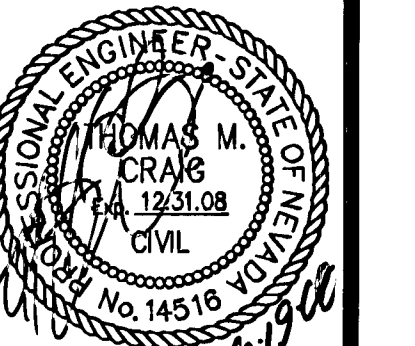
DESIGNED BY: VP
DRAWN BY: VP
CHECKED BY: RH

HDR Engineering, Inc.
DATE: 06/19/2008

HORIZONTAL SCALE: 1"=30'
VERTICAL SCALE: 1"=3'

TITLE: OAKLEY STORM DRAIN
BIRCH STREET TO CAHLAN DRIVE

SHEET: STORM DRAIN LATERAL PROFILES



Joseph Morgan
LVWD

7/8/08
DATE

100%
FINAL SUBMITTAL
JUNE 19, 2008

Call before you dig
811

Call before you overhead
1-702-593-6111

Sheet
SD-08
25 of 56
DRAWING NO.
327V280

C:\P\work\k\PHK\ms29415\03c-008.dwg 06/19/08 2:54pm ccmeser

112913