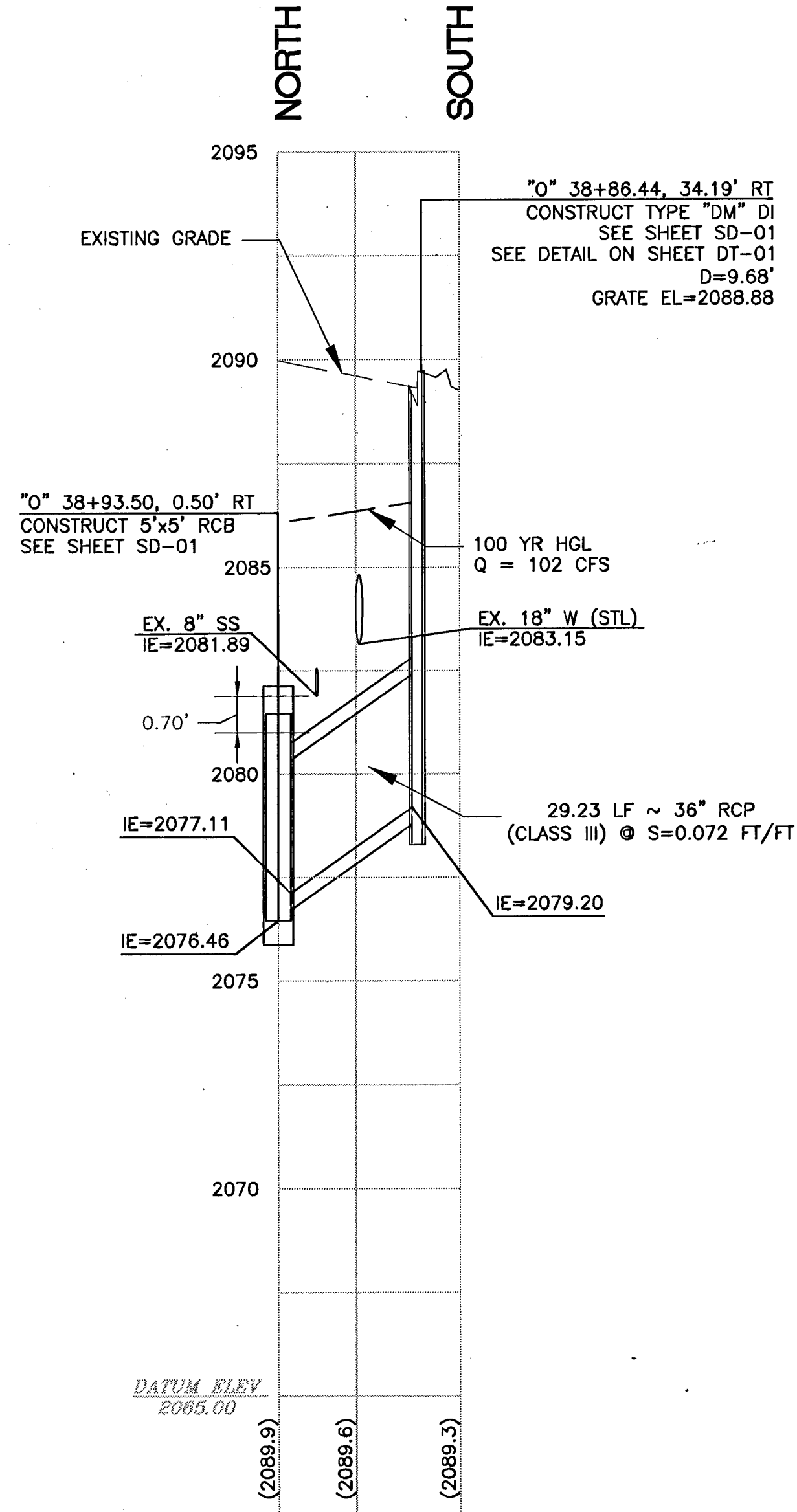
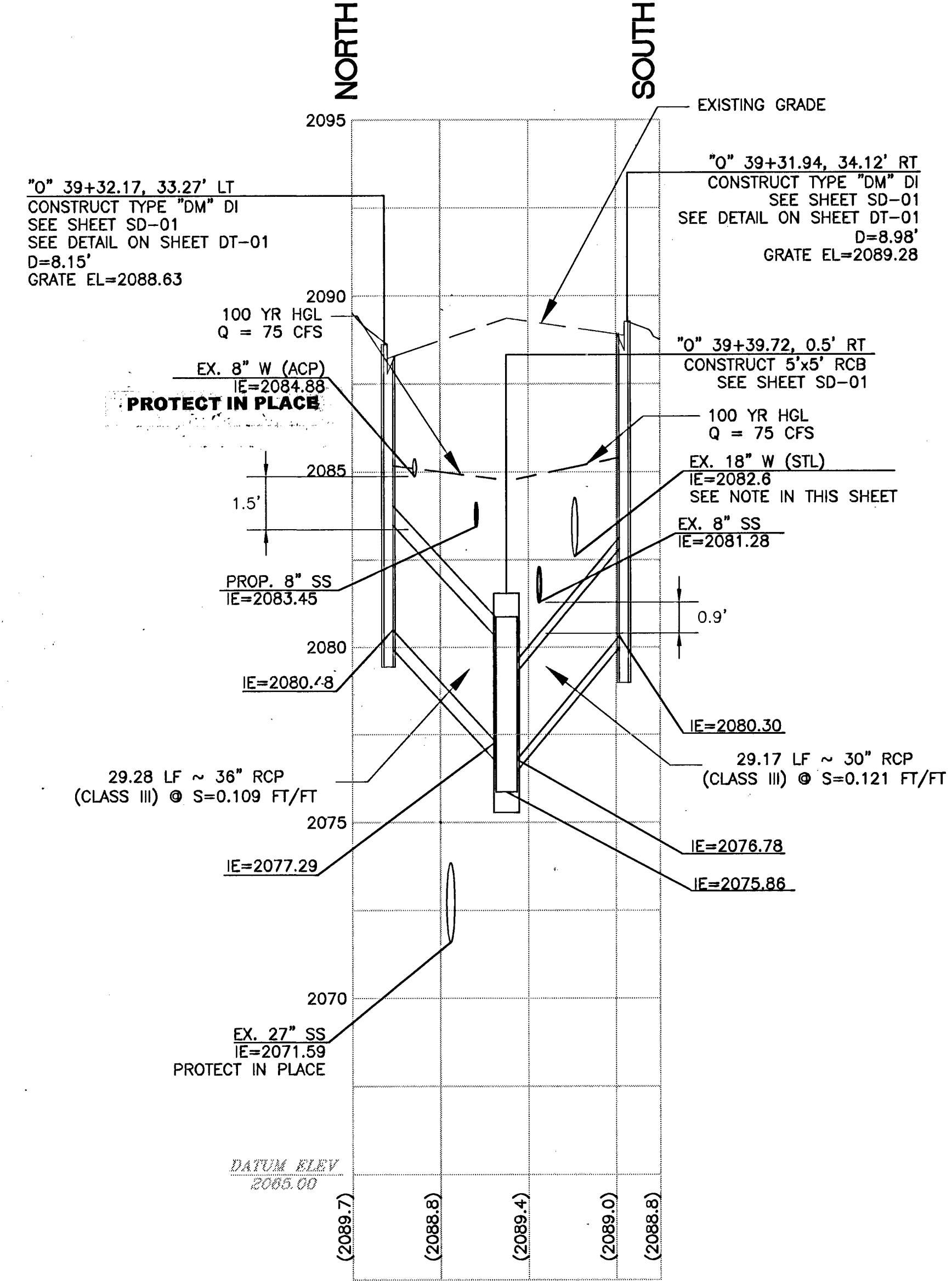


LATERAL PROFILE 'O' STA. 38+65.04 LT
LAT. 1



LATERAL PROFILE 'O' STA. 38+93.50 RT
LAT. 2

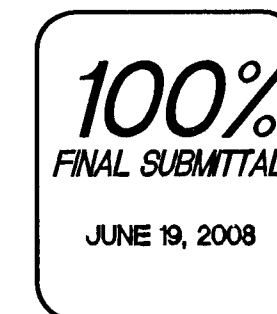


LATERAL PROFILE 'O' STA. 39+39.72
LAT. 3

NOTE:
BACKFILL DRAIN INLETS WITH CLASS I CLSM WHERE WATER MAIN AND DRAIN INLET HORIZONTAL SEPARATION IS LESS THAN 6 FT.
WHERE SD LATERAL IS WITHIN 18\"/>

Joseph Morgan
LVVWD

7/9/08
DATE



NO.	DATE	DESCRIPTION

DEPARTMENT OF PUBLIC WORKS
ENGINEERING DESIGN SECTION

CITY ENGINEER: JORGE CERVANTES, P.E., P.T.O.E.
PROJECT MANAGER: ROSA CORTIZ, P.E.

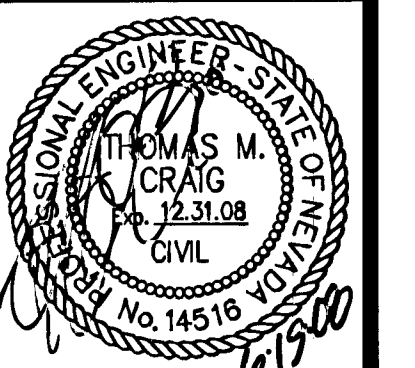
DESIGNED BY: VP
DRAWN BY: VP
CHECKED BY: RH

HDR Engineering, Inc.
DATE: 06/19/2008

HORIZONTAL SCALE: 1"=30'
VERTICAL SCALE: 1"=3'

TITLE: OAKLEY STORM DRAIN
BIRCH STREET TO CAHLAN DRIVE

SHEET: STORM DRAIN LATERAL PROFILES



Sheet
SD-07
24 of 56
DRAWING NO.
327V280

C:\pwworking\p\h\k\dms29415\036-007.dwg 06/19/08 2:53pm gchenwson

102912