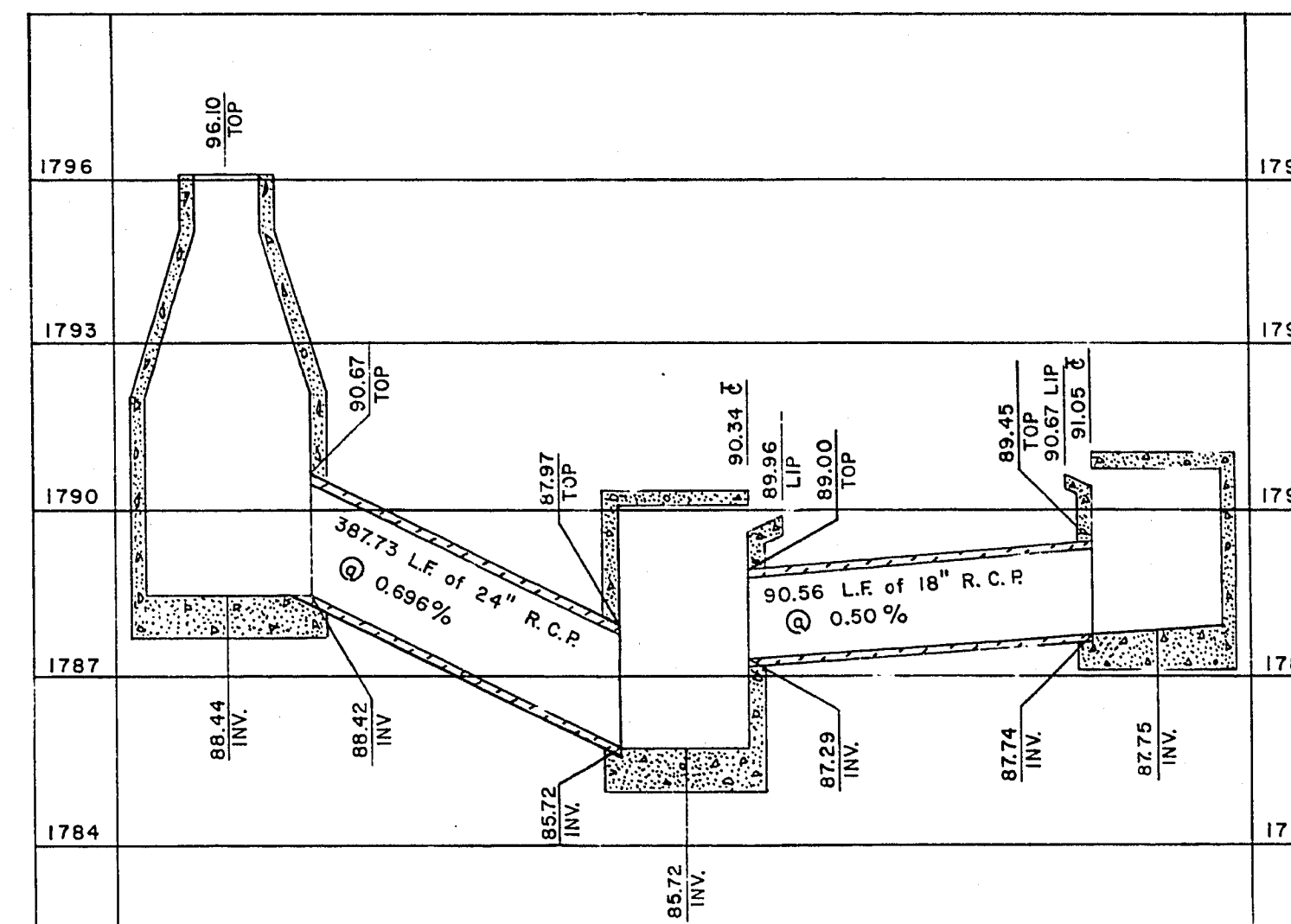
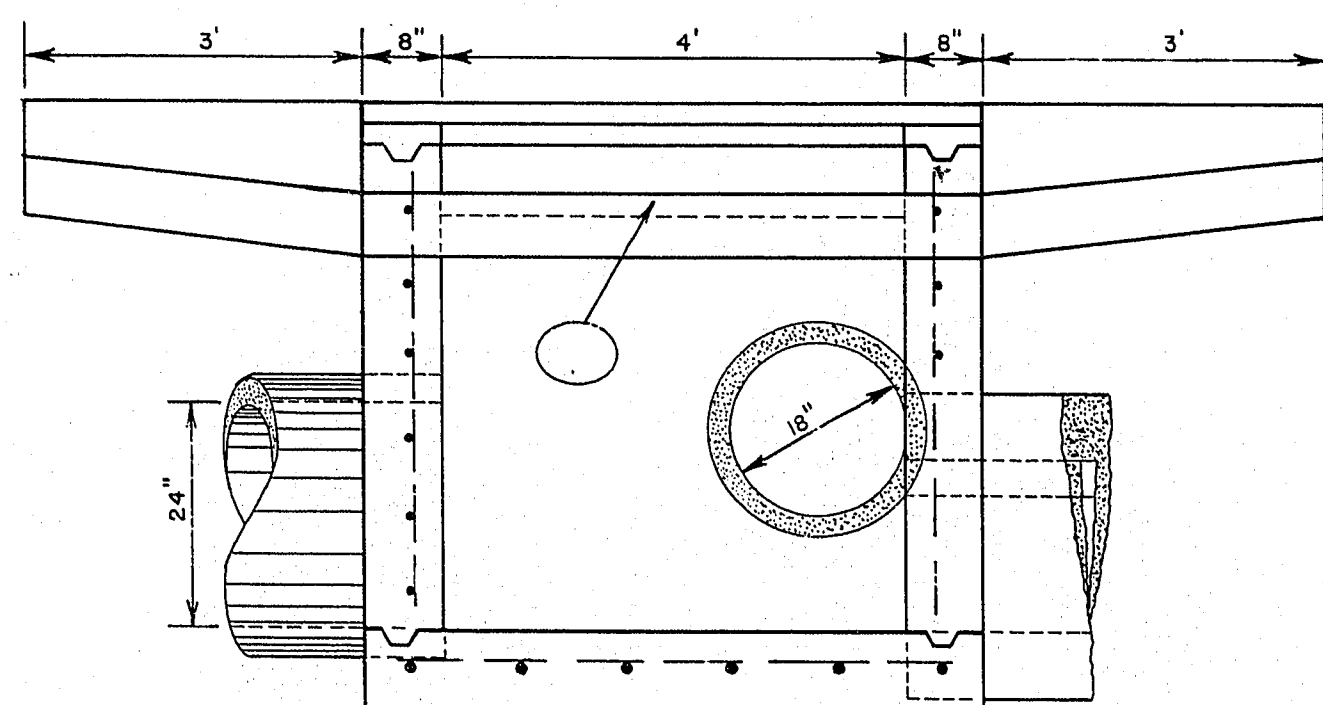


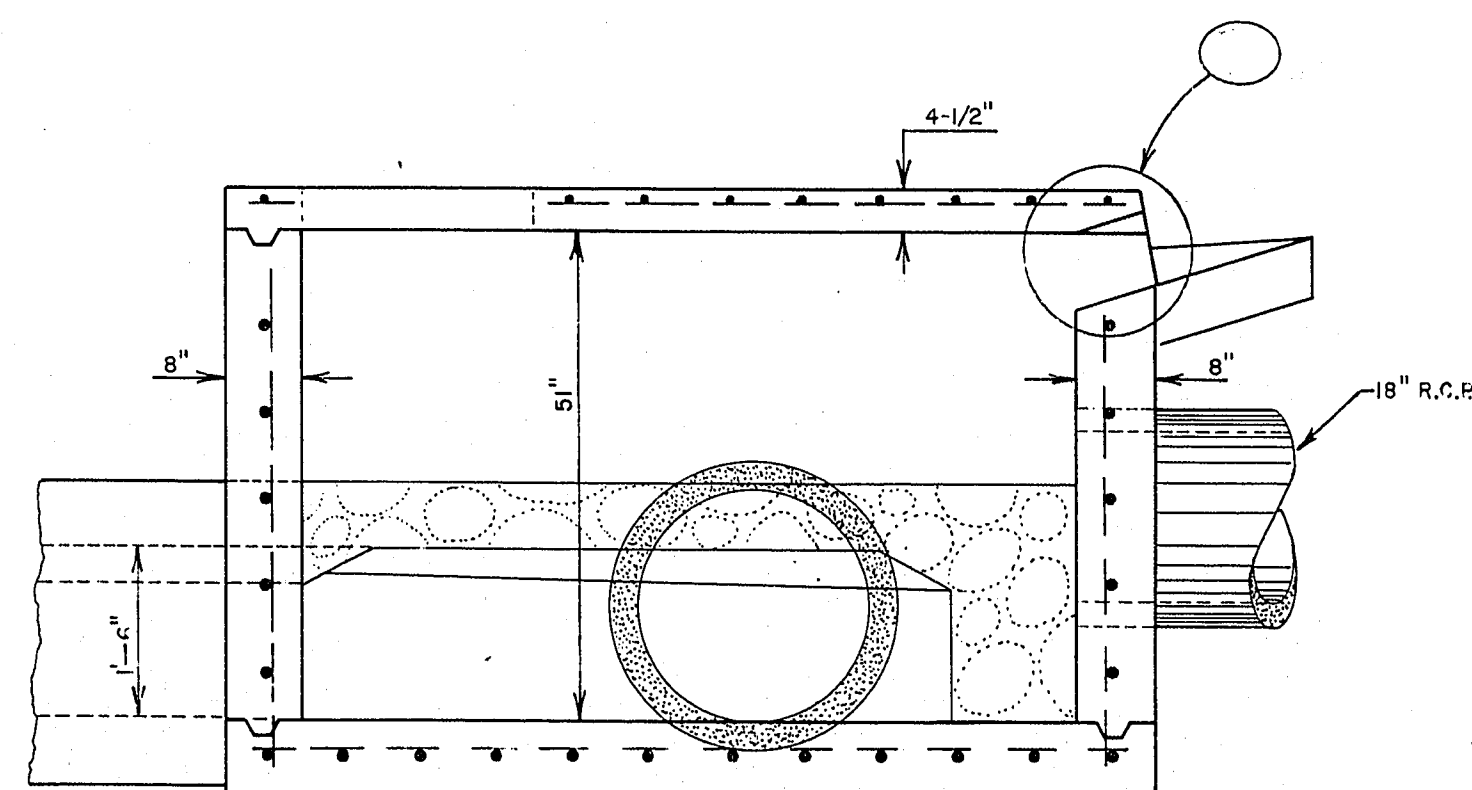
Note: This structure is not in contract. Detail shows end of R.C.P.



Manhole #5 and Drop Inlet Details Stewart Ave. (future)
 M.H. Sta. "B" 21+90 D.I. Sta. "B" 25+74.74 D.I. Sta. "B" 25+81.25



South Elevation Drop Inlet (future)



Section of Drop Inlet (future)

EXISTING UTILITIES ARE LOCATED ON THE PLANS FOR THE CONVENIENCE OF THE CONTRACTOR ONLY. THE CONTRACTOR SHALL BEAR FULL RESPONSIBILITY FOR PROTECTION OF UTILITIES AND THE CITY BEARS NO RESPONSIBILITY FOR UTILITIES NOT SHOWN ON THE PLANS OR NOT IN THE LOCATION SHOWN ON THE PLANS.

17/14/73

CONTRACT DRAWING
 DEC 21 1973

CITY OF LAS VEGAS NEVADA DEPARTMENT OF PUBLIC WORKS SERVICES DIVISION			
PECO'S STORM DRAIN CHARLESTON TO CEDAR - REFERENCE DETAIL			
W.O. NO. 6670	F.B.K. NO. -	DATE	DRAWING NO.
SC. (H) 1"=20'	SC. (V) -	11/26/73	327-V140
DES. <i>Carl P. Malone</i>			FILE NO.
DR. <i>J. McDowell</i>			
APPROVED BY DIRECTOR OF PUBLIC WORKS <i>R. Haver</i>			SHEET 11 OF 15