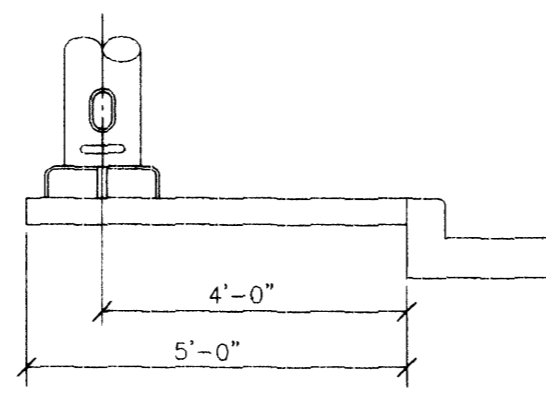


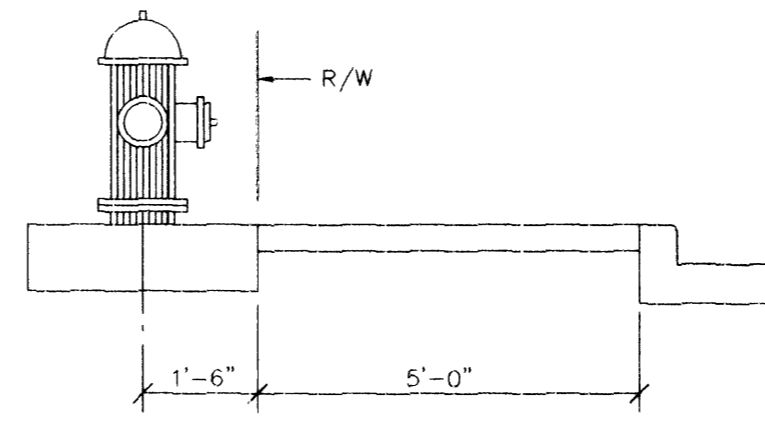
LAS VEGAS VALLEY WATER DISTRICT STANDARD NOTES

LVVWD PROJECT # 21747

- NO WORK SHALL BEGIN UNTIL THE WATER PLANS HAVE BEEN RELEASED FOR CONSTRUCTION BY THE LVVWD. FOLLOWING WATER PLAN APPROVAL, 48 HOUR NOTICE SHALL BE GIVEN TO THE LVVWD COMMUNICATION SUPPORT CENTER (258-7171) PRIOR TO THE START OF CONSTRUCTION. NOTICE MUST BE GIVEN BY 2:00 P.M. THE BUSINESS DAY PRIOR TO A LVVWD INSPECTION. WHEN REQUESTING INSPECTIONS, PLEASE REFER TO THE PROJECT # IDENTIFIED ABOVE.
- ALL WORK SHALL CONFORM TO LVVWD'S STANDARD PLATES, DRAWINGS, AND SPECIFICATIONS AND TO THE UNIFORM DESIGN AND CONSTRUCTION STANDARDS FOR WATER DISTRIBUTION SYSTEMS (UDACS), LATEST EDITION.
- ALL WORK, EXCEPT AS MODIFIED BY THESE PLANS OR BY NOTE 2, SHALL BE DONE IN ACCORDANCE WITH THE MOST CURRENT DRAFT OR EDITION OF THE UNIFORM STANDARD SPECIFICATIONS FOR PUBLIC WORKS CONSTRUCTION OFFSITE IMPROVEMENTS, CLARK COUNTY AREA.
- A SINGLE PIPE MATERIAL SHALL BE USED THROUGHOUT THE PROJECT UNLESS OTHERWISE APPROVED BY THE LVVWD.
- ALL SERVICE LATERALS TWO (2) INCHES IN DIAMETER AND SMALLER SHALL BE OF COPPER TUBING WITH LVVWD APPROVED SERVICE SADDLES.
- ALL WATER METER BOXES SHALL BE LOCATED OUTSIDE OF DRIVEWAY AREAS.
- ALL VALVES SHALL BE LOCATED OUTSIDE OF DRIVEWAYS, VALLEY AND CURB CUTTERS.
- THE FOLLOWING REQUIREMENTS MUST BE MET IN THE EVENT A WATER LINE AND SANITARY SEWER OR STORM SEWER LINE CROSS:
 - A MINIMUM EIGHTEEN INCH (18") VERTICAL SEPARATION (OUTSIDE TO OUTSIDE) MUST BE MAINTAINED WHEN THE WATER LINE IS INSTALLED OVER THE SANITARY OR STORM SEWER LINE. IF THE VERTICAL SEPARATION CANNOT BE MAINTAINED OR THE WATER LINE MUST BE PLACED UNDER THE SANITARY OR STORM SEWER LINE, THE SANITARY OR STORM SEWER LINE MUST BE CONSTRUCTED WITH ONE OF THE FOLLOWING OR, AS SHOWN ON THESE PLANS:
 - POTABLE WATER SUPPLY QUALITY MATERIAL
 - ENGASEMENT, WITH FOUR (4) INCH CONCRETE (MINIMUM)
 - SLEEVING WITH POTABLE WATER SUPPLY QUALITY PIPE
 - EACH PROVISION MUST EXTEND ALONG THE SANITARY OR STORM SEWER, ON EITHER SIDE OF THE MAIN, A MINIMUM 10 FOOT DISTANCE PERPENDICULAR TO THE WATER MAIN EXTERIOR.
- WARNING TAPE SHALL BE REQUIRED OVER ALL MAINS, ALL SIX (6) INCH DIAMETER AND LARGER SERVICE LATERALS, AND ANY SERVICE LATERAL NOT INSTALLED PERPENDICULAR TO THE MAIN IN ACCORDANCE WITH STANDARD PLATE NO. 27.
- ALL WATER FACILITIES SHALL BE FILLED, DISINFECTED, PRESSURE TESTED, FLUSHED, FILLED AND AN ACCEPTABLE WATER SAMPLE OBTAINED, PRIOR TO CONNECTION TO THE LVVWD'S DISTRIBUTION SYSTEM.
- THE CONTRACTOR MUST OBTAIN ALL METERS TWO (2) INCHES AND SMALLER FROM LVVWD CENTRAL STORES. TELEPHONE 258-3152 FORTY-EIGHT (48) HOURS PRIOR TO PICKUP.
- CONSTRUCTION MAY INTERRUPT SERVICE, WITH LVVWD APPROVAL AND PROPER NOTIFICATION, BETWEEN THE HOURS OF 10 PM AND 6 AM, SUNDAY THROUGH THURSDAY. CIRCUMSTANCES MAY REQUIRE TEMPORARY SERVICE FEEDS BE INSTALLED, WITHOUT LVVWD REIMBURSEMENT. ANY TEMPORARY SERVICE FEED MUST HAVE PRIOR LVVWD APPROVAL.
- ALL WATER FACILITY CONSTRUCTION MATERIALS USED MUST BE AS LISTED ON THE LVVWD'S PRE-APPROVED MATERIALS AND MANUFACTURERS LISTING FOR NEW FACILITIES, LATEST REVISION, OR SPECIFICALLY APPROVED ON THESE PLANS.



STREET LIGHT DETAIL



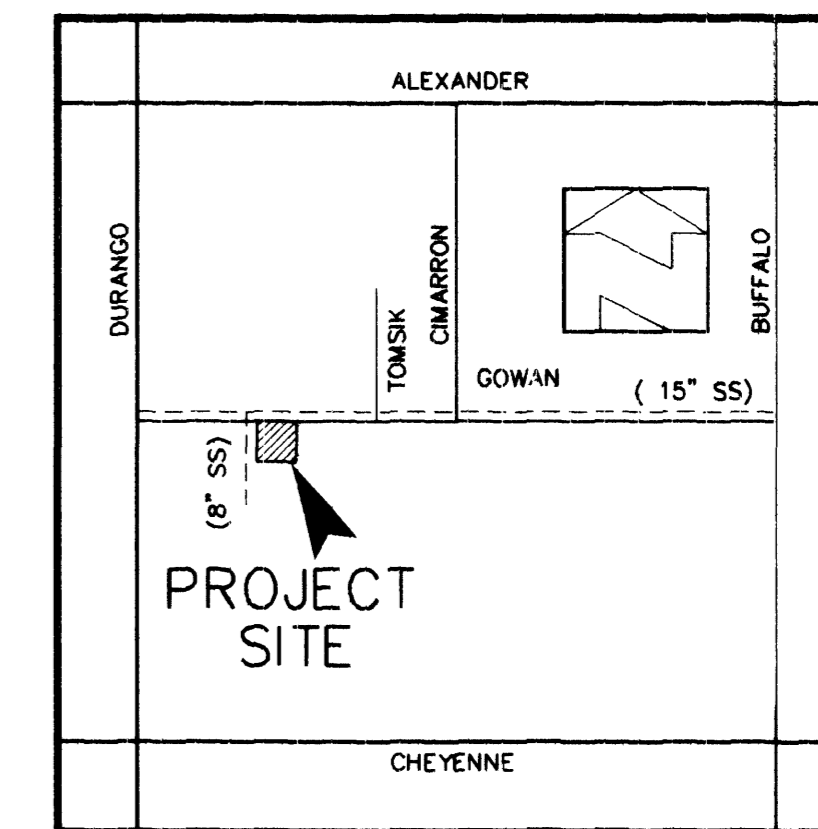
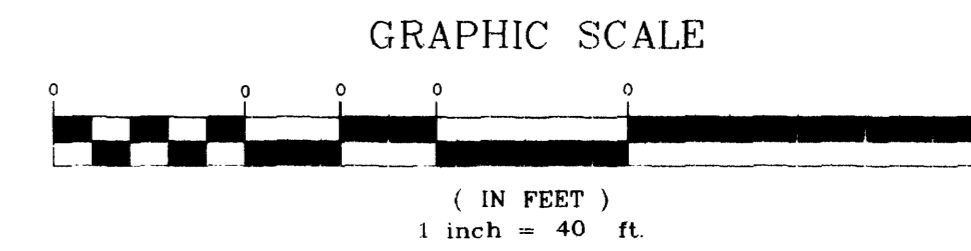
FIRE HYDRANT DETAIL

STREET LIGHT NOTE:
ALL HAND HOLE COVERS MUST BE INSTALLED, POLE CAPS POURED, AND PULL BOX LIDS BOLTED DOWN PRIOR TO ENERGIZING CIRCUIT. ALL WIRE MUST HAVE THW INSULATION.

2 working days
Call before you Dig
1-800-227-2600

BENCHMARK PER NGVD29
BENCH MARK: [2405.269] CITY OF LAS VEGAS DATUM, STATION 01500 16N4, RIVET AND PLATE IN TOP OF CURB, SW RETURN OF CHEYENNE AVENUE AND SOARING GULLS DRIVE.

BASIS OF BEARINGS
SOUTH 88°04'25" EAST BEING THE NORTH LINE OF THE NE 1/4 OF THE SW 1/4 OF SECTION 9, TOWNSHIP 20 SOUTH, RANGE 60 EAST, 10M, CLARK COUNTY, NEVADA.
NOTE: LOT BREAKOUT PER FILE 69, PAGE 72 OF SURVEYS.



LOCATION
SCALE: NONE

SEWER CONTRIBUTION
AVERAGE FLOW = 0.003945 MGD
PEAK FLOW = 0.013019 MGD
NOTE: SEWER LATERALS ARE TO BE A MINIMUM OF 5 FEET FROM WATER LATERALS & PER DRAWING # SD-17

APPROVALS
LAS VEGAS FIRE DEPARTMENT

FIRE FLOW REQUIREMENT IS 1500 GALLONS PER MINUTE AT 20 PSI RESIDUAL PRESSURE
BASED ON:
SQUARE FOOTAGE: 2,000 SF
LARGEST AREA BETWEEN 4-HOUR -
AREA SEPARATION WALLS:
BUILDING HEIGHT: 25 FT.
NUMBER OF STORIES: 2 FLOOR
TYPE OF CONSTRUCTION: V - N
EXPOSURE: 10 FEET
OCCUPANCY: R-3
FULL AUTOMATIC FIRE SPRINKLER SYSTEM: NO
ROOF CONSTRUCTION: TILE

REVIEWED BY: *[Signature]*
DATE: 9/23/02
LAS VEGAS VALLEY WATER DISTRICT DATE: 8/27/02

DISCLAIMER NOTE:
UTILITY LOCATIONS SHOWN HEREON ARE APPROXIMATE ONLY. IT SHALL BE THE CONTRACTOR'S RESPONSIBILITY TO DETERMINE THE EXACT HORIZONTAL AND VERTICAL LOCATION OF ALL EXISTING UNDERGROUND AND OVERHEAD UTILITIES PRIOR TO COMMENCING CONSTRUCTION. NO REPRESENTATION IS MADE THAT ALL EXISTING UTILITIES ARE SHOWN HEREON. THE ENGINEER ASSUMES NO RESPONSIBILITY FOR UTILITIES NOT SHOWN OR UTILITIES NOT SHOWN IN THEIR PROPER LOCATION.

- LEGEND**
- S SEWER MAIN
 - (S) EXISTING SEWER MAIN
 - W WATER MAIN
 - (W) EXISTING WATER MAIN
 - SL STREET LIGHT CONDUIT
 - SEWER MANHOLE
 - 100 W HPS STREET LIGHT
 - 150 W HPS STREET LIGHT
 - 250 W HPS STREET LIGHT
 - EXISTING STREET LIGHT
 - EXISTING FIRE HYDRANT
 - FIRE HYDRANT
 - STREET NAME SIGN
 - STOP SIGN
 - DRIVEWAY LOCATION

WATER QUANTITY ESTIMATE

1 REMOVE CAP & 2" BLOW OFF & CONNECT	1 EA
2 8" 90° BEND	1 EA
* 3 FIRE HYDRANT ASSEMBLY	2 EA
4 8"x6" TEE	2 EA
5 6" END CAP & 2" BLOW-OFF PER UDACS PLT 4	1 EA
6 8" GATE VALVE	1 EA
7 6" GATE VALVE	2 EA
8 5/8" METER W/1" COPPER SERVICE (PER UDACS PLATE 1B)	12 EA
9 3/4" METER W/1" COPPER SERVICE (PER UDACS PLATE 1B)	4 EA
10 8" PVC	392 LF
* 11 6" PVC WATER	14 LF

FIRE HYDRANT ASSY. INCLUDES TEE, VALVE, LATERAL, RISER THRUST BLOCKS, AND ALL ASSOCIATED HARDWARE.

STREET LIGHT QUANTITIES

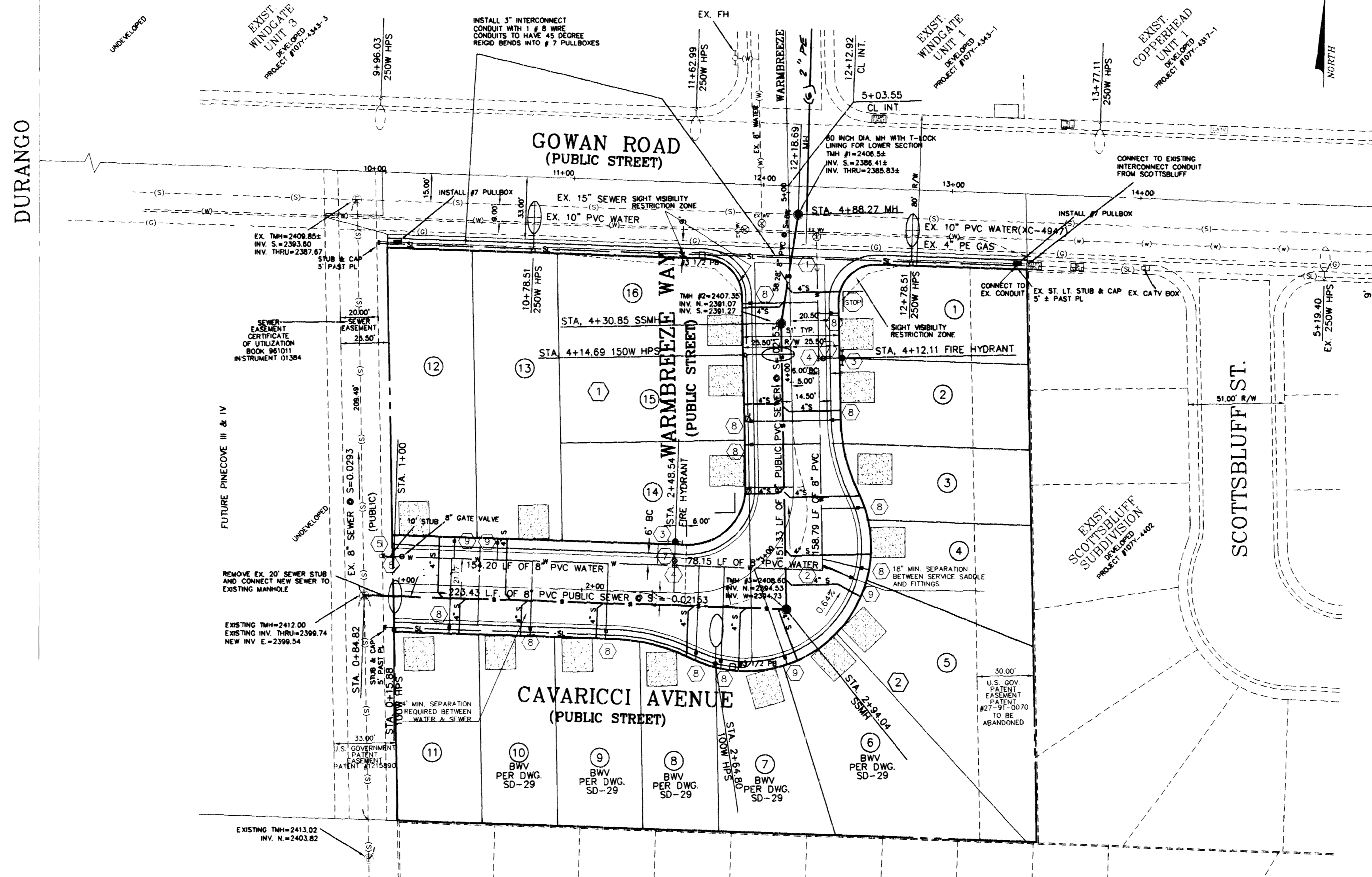
250 WATT HPS LUMINAIRE	2 EA
150 WATT HPS LUMINAIRE	1 EA
100 WATT HPS LUMINAIRE	2 EA
#3 1/2 PULLBOX	2 EA
1 1/4" PVC CONDUIT	693 LF

SEWER QUANTITIES ESTIMATE

MANHOLE	3 EA
8" PVC MAIN	430 LF
4" PVC SERVICE LATERAL	16 EA
BACK WATER VALVE ASSEMBLY	5 EA

FIRE HYDRANT INSTALLATION
FIRE HYDRANTS TO BE INSTALLED IN ACCORDANCE WITH THE UDACS STANDARD PLATE NO. 7.

CLV STREET LIGHT NOTES
1. ALL STREET LIGHT INSTALLATIONS SHALL CONFORM TO THE STANDARD DETAILS AND SPECIFICATIONS OF THE CITY OF LAS VEGAS, AND SHALL ALSO CONFORM TO THE UNIFORM STANDARD SPECIFICATIONS FOR PUBLIC WORKS CONSTRUCTION OFF-SITE IMPROVEMENTS, CLARK COUNTY AREA, LATEST EDITION, UNLESS OTHERWISE NOTED.



DURANGO

SCOTTSBLUFF ST.

CAVARICCI AVENUE (PUBLIC STREET)

GOWAN ROAD (PUBLIC STREET)

WAMBREZZE WAY (PUBLIC STREET)

HEARTHSTONE HOMEBUILDERS INC.
6370 MC LEOD DR. 1
LAS VEGAS, NEVADA 89120
(702) 632-3248 FAX: (702) 651-6218

JOHNNY R. VEGA
4817 W. GILMORE AVE.
LAS VEGAS, NEVADA 89130
(702) 645-9216 FAX: (702) 645-9460

MASTER UTILITY PLAN
PINE COVE SUBDIVISION

SCALE: 1" = 40'

SEAL
CIVIL
8-9-02

C4
4 of 7 SHEETS
DRAWING NO: 307Y-4714-1