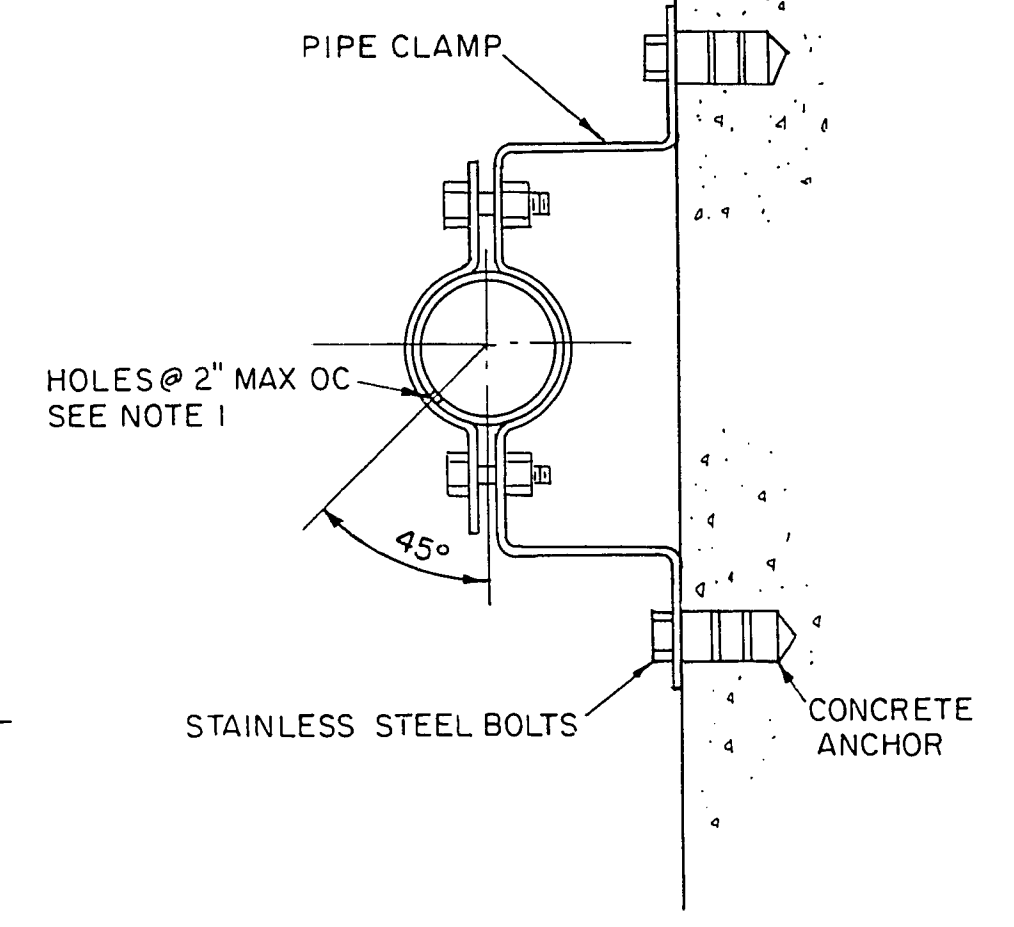
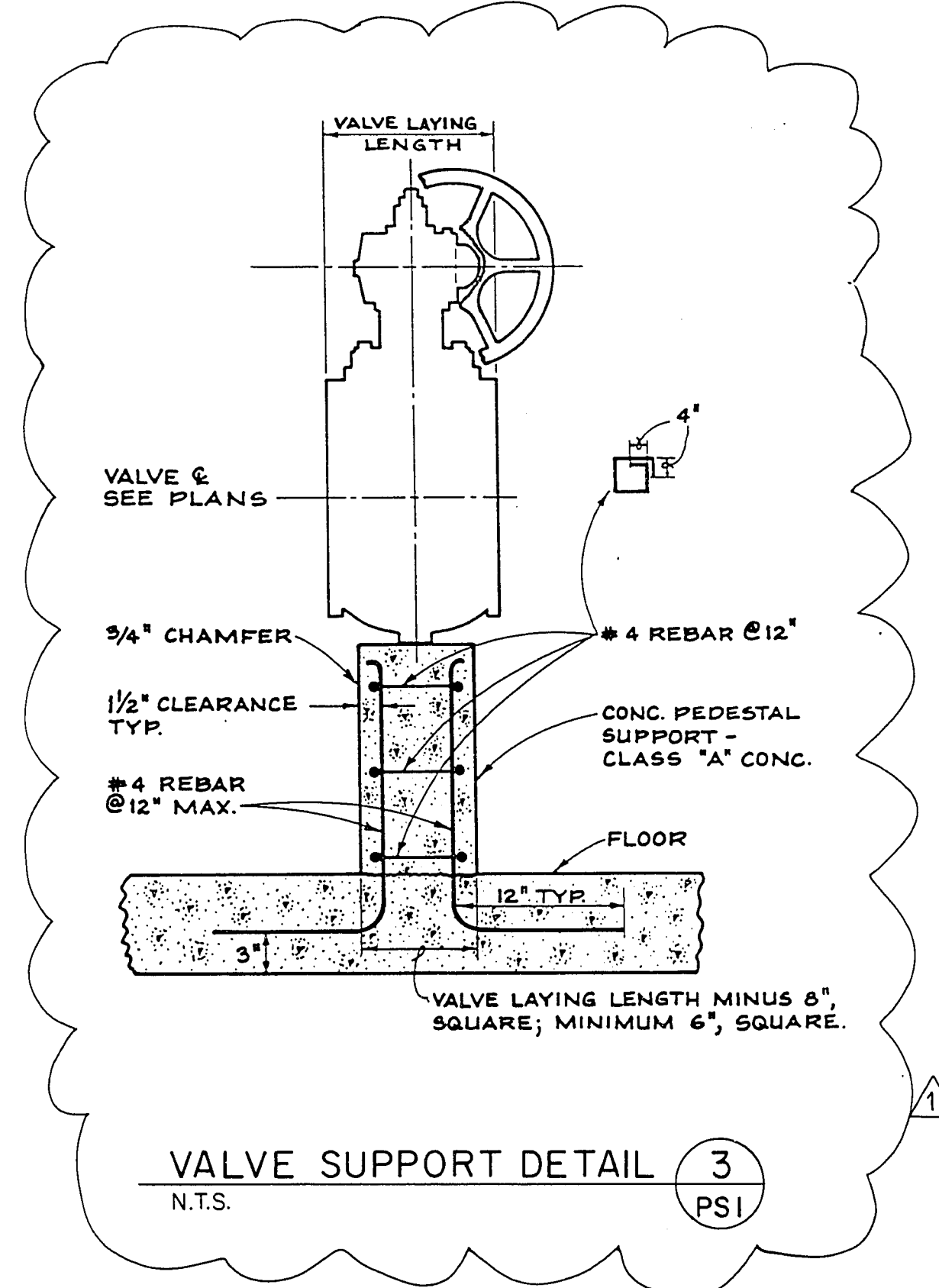


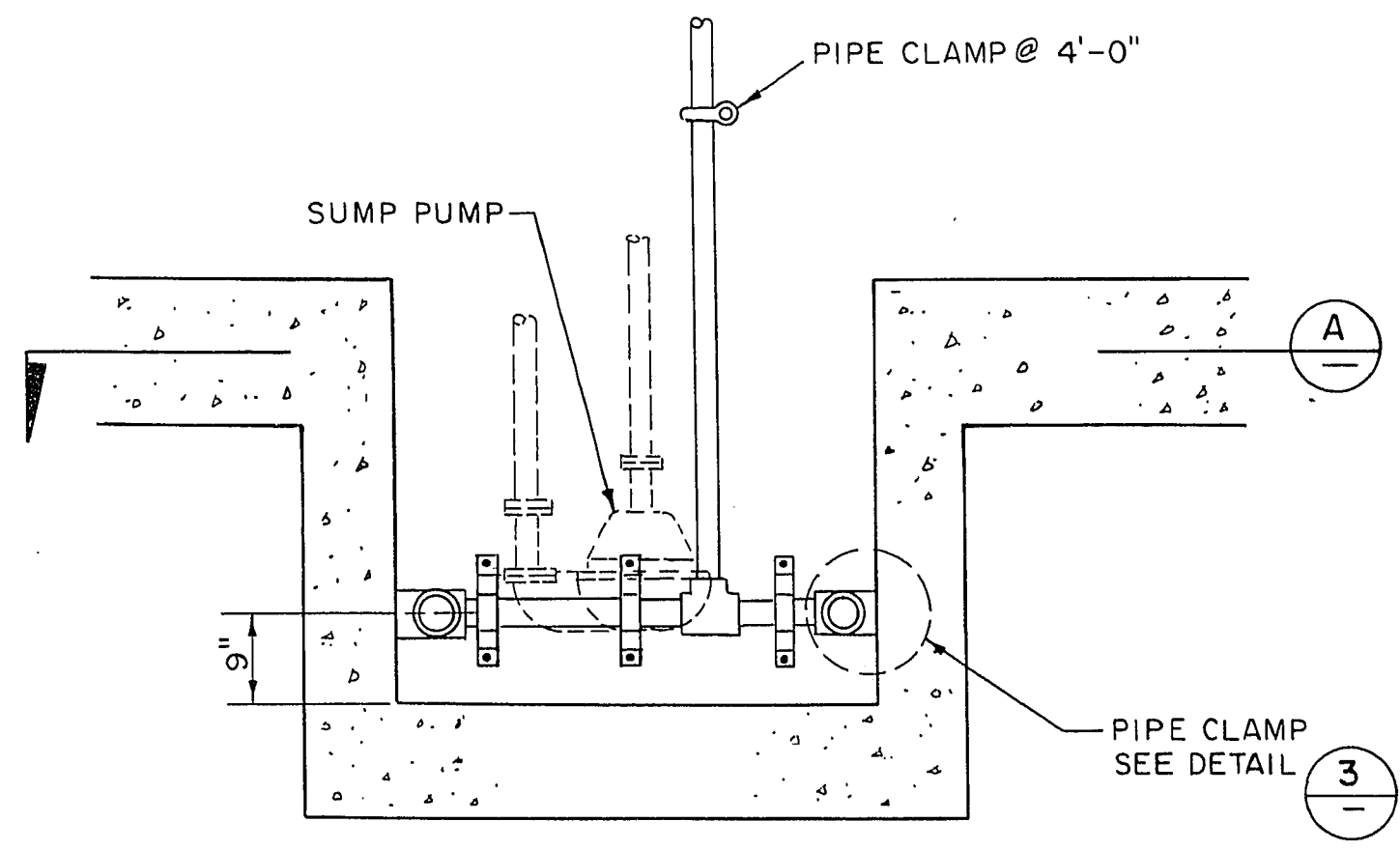
VALVING DETAIL 1
PS182



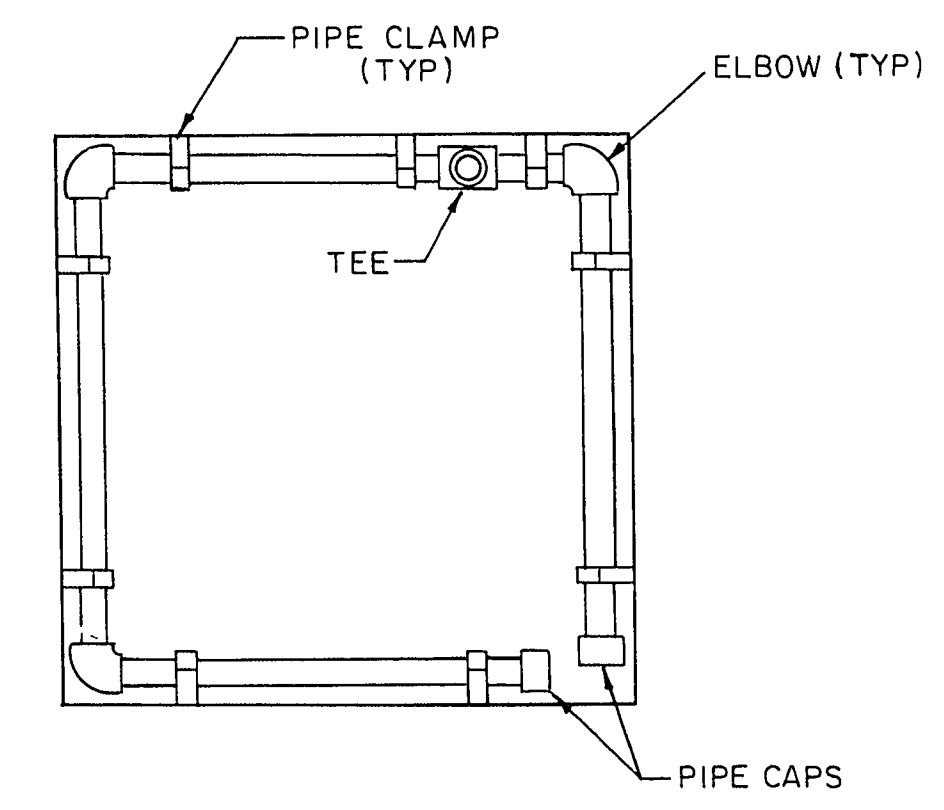
DETAIL 3



VALVE SUPPORT DETAIL 3
N.T.S. PS1



PIT DETAIL 2
PS182



SECTION A

- NOTES:
- DISCHARGE VELOCITY OF JETS SHALL BE 20 FPS MINIMUM. SIZE HOLES ACCORDINGLY.
 - ALL PIPING AND FITTINGS SHALL BE 1 1/2" SCH 80 PVC.

SUMP PUMP PIT AGITATION SYSTEM
NOT TO SCALE

RECORD DRAWINGS
CLV DRAWING NO. 107-V2011

DESIGNED:	GWS
DRAWN:	AH
CHECKED:	MSL
DATE:	
BY:	
REVISION:	

PROJECT ENGINEER:	DATE:
PROJECT MANAGER:	DATE:

Boyle Engineering Corporation
consulting engineers
Suite 300
1785 E. Sahara Ave. 300
Las Vegas, NV 89104
(702) 731-5511

CITY OF LAS VEGAS
DEPARTMENT OF PUBLIC WORKS

OGDEN AVENUE UNDERPASS AND ROADWAY
MISCELLANEOUS DETAILS

DRAWING
PS3
34 OF 125

3-2-35