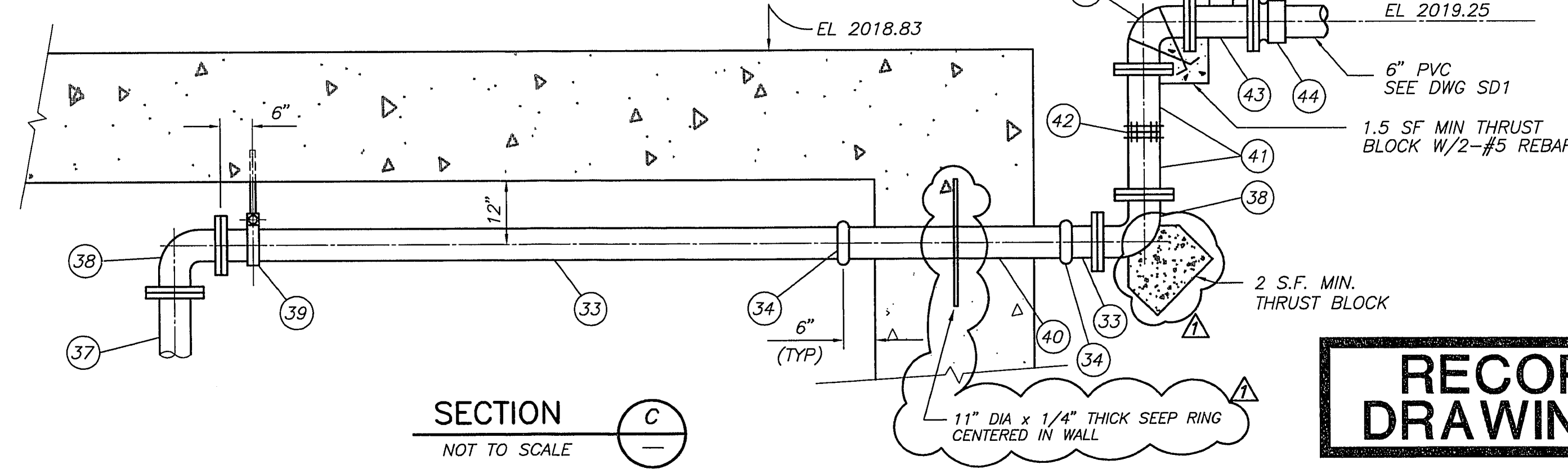


- 1 4" 90° FLGD LONG RADIUS ELBOW
- 2 4" CML SPOOL FLGxGE
- 3 4" MECHANICAL COUPLING
- 4 4" CML SPOOL FLGxFLG
- 5 4" MOTOR OPERATED PLUG VALVE
- 6 10" 90° FLGD ELBOW
- 7 10" CML SPOOL FLGxPE W/ HARNESS LUGS
- 8 10" FLEXIBLE COUPLING
- 9 10" CHECK VALVE
- 10 10" PLUG VALVE W/ HANDWHEEL OPERATOR
- 11 10" CML FLGD OUTLET
- 12 20" BLIND FLANGE
- 13 20" CML SPOOL FLGxGE
- 14 20" MECHANICAL COUPLING
- 15 20" CML SPOOL GEXGE
- 16 20" CML SPOOL GEXPE W/ HARNESS PER AWWA MANUAL M-II
- 17 20" FLEXIBLE COUPLING
- 18 20" CML SPOOL PEXFLG W/ HARNESS PER AWWA MANUAL M-II
- 19 20" 90° SHORT RADIUS ELBOW
- 33 6" CML SPOOL FLXGE
- 34 6" MECHANICAL COUPLING
- 37 6" CML SPOOL FLXPE W/ HARNESS LUGS
- 38 6" 90° FLGD ELBOW
- 39 6" PIPE HANGER, GRINNELL FIG 104 W/ 3/4" ALL THREAD RED HEAD ANCHOR, OR EQUAL
- 40 6" CML SPOOL FLXGE W/ SEEP RING
- 41 6" CML SPOOL FLXPE
- 42 6" FLEXIBLE COUPLING

- 43 6"x6"x4" FLGD TEE
- 44 6" PVC ADAPTOR FLxRT
- 45 4" DIP SPOOL FLxPE
- 46 4" FLEXIBLE COUPLING
- 47 4"x1" THREADED STL REDUCING FLANGE
- 48 1" GALVANIZED 3000# CLOSE NIPPLE
- 49 1" COMBINATION AIR VALVE THREADED INLET & OUTLET PER LVWD STD PLATE NO 37-1
- 50 1" PVC MALE IRON PIPE THREAD x SLIP MALE ADAPTOR
- 51 1" PVC SCH 40 PIPE
- 52 1" PVC 90° ELBOW (2 REQ'D)
- 53 2'x3' PRECAST CONCRETE UTILITY VAULT, BROOKS NO W-100-PS W/ARMOR, OR EQUAL
- 54 PARKWAY GRATE, BROOKS NO 200-31, OR EQUAL

**PIPING & EQUIPMENT ROOM PLAN**

SCALE: 3/8" = 1'-0"



**RECORD DRAWINGS**

CLV DRAWING NO. 107-V2011

09.18.92			
10/7/94	BE	RECORD DRAWINGS	
10/15/92	GM	PER ADDENDUM NO. 1	
MARK	DATE	BY	REVISION

DESIGNED:	GWS	PROJECT ENGINEER	DATE
DRAWN:	GM	PROJECT MANAGER	DATE
CHECKED:	JPM		

**Boyle Engineering Corporation**  
consulting engineers

Suite 300  
1785 E. Sahara Ave 300  
Las Vegas, NV 89104  
(702) 731-5511

**CITY OF LAS VEGAS**  
DEPARTMENT OF PUBLIC WORKS

OGDEN AVENUE UNDERPASS AND ROADWAY  
**PUMPING STATION**  
PIPING & EQUIPMENT ROOM PLAN

DRAWING  
**PS1**  
32 OF 125  
OGSHTPS1

3-2-33