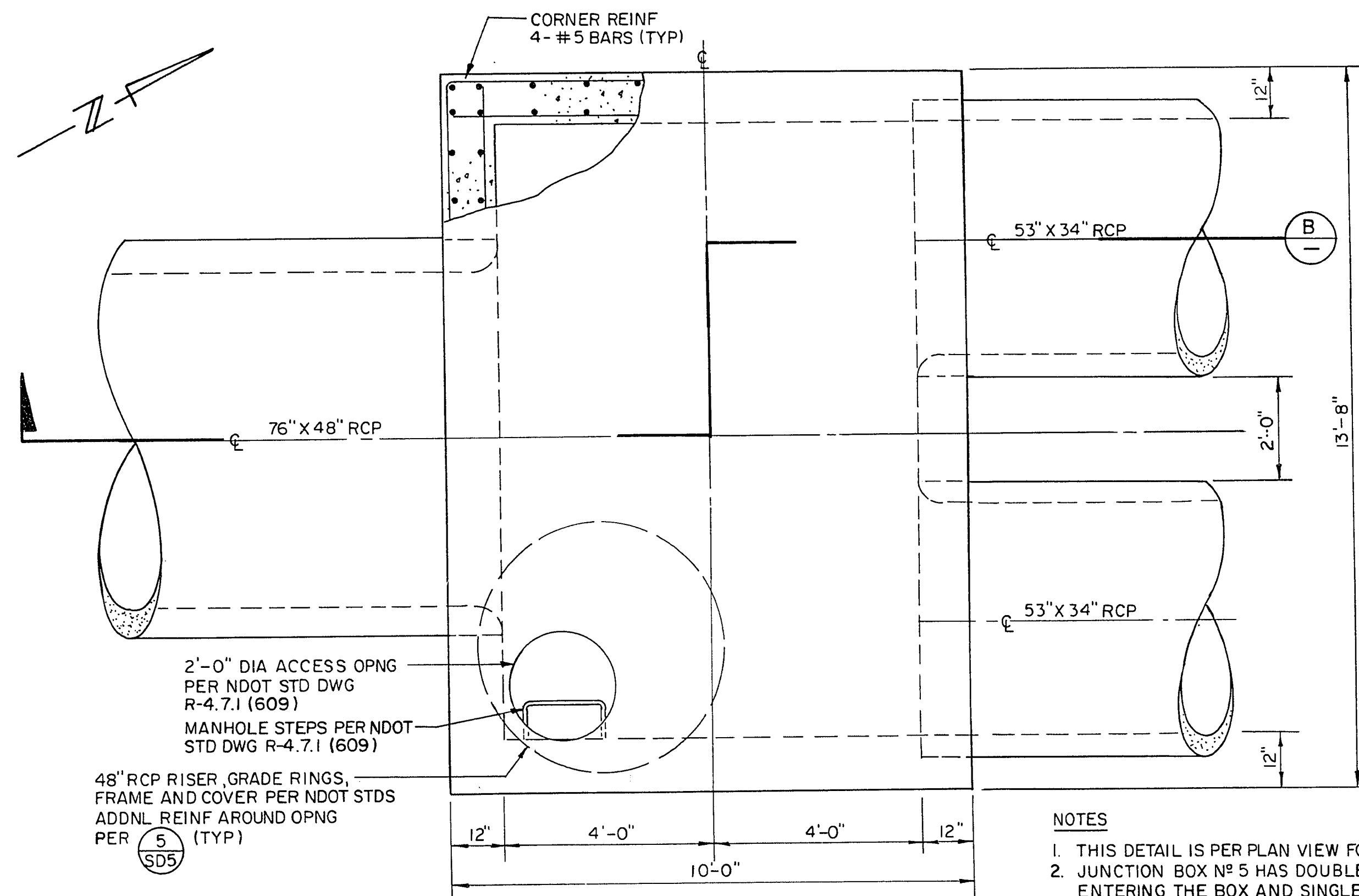


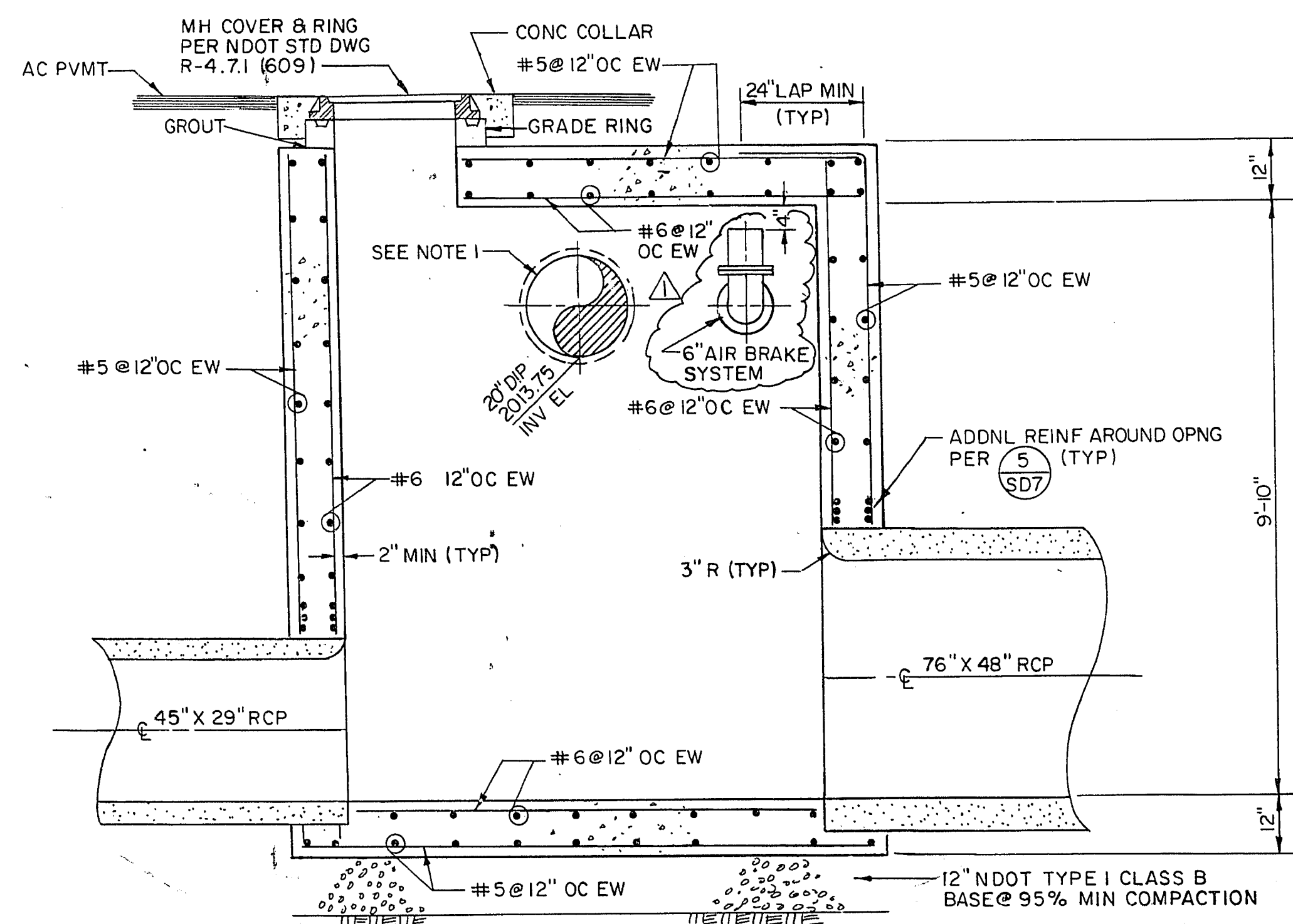
JUNCTION BOX No 3-PLAN 1
SCALE: 1/2"=1'-0"
SD2



JUNCTION BOX No 4 AND No 5-PLAN 2
SCALE: 1/2"=1'-0"
SD3

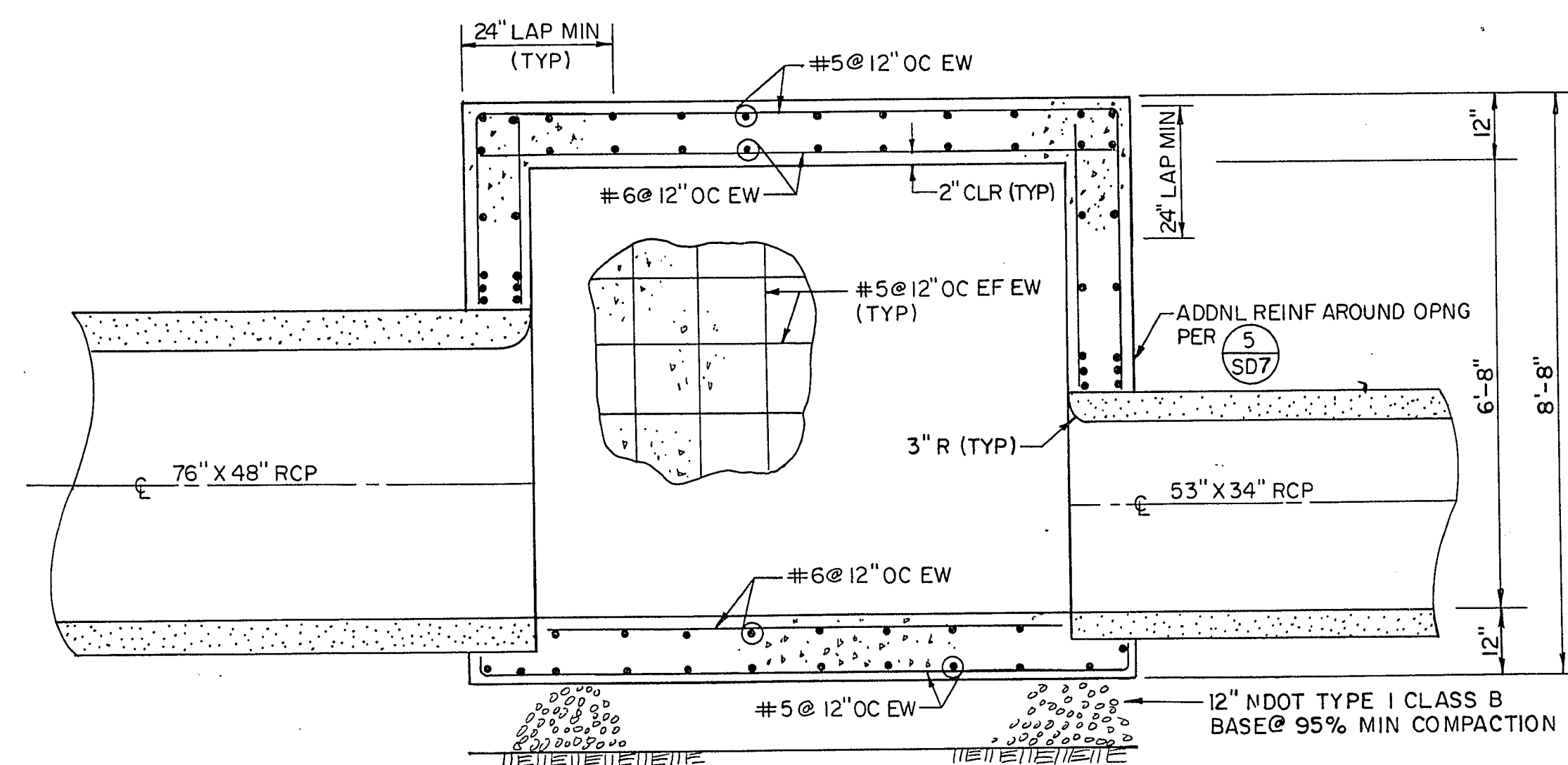
NOTES

1. THIS DETAIL IS PER PLAN VIEW FOR JUNCTION BOX No 4.
2. JUNCTION BOX No 5 HAS DOUBLE 53" X 34" RCP ENTERING THE BOX AND SINGLE 76" X 48" EXITING THE BOX.
3. JUNCTION BOX No 5 HAS THE SAME STRUCTURAL REINF.
4. JUNCTION BOX No 5 MH SAME AS JUNCTION BOX No 4
5. TOP OF MANHOLE FINISHED GRADE TO MATCH EXIST.
6. CUT TAPER RISER SO THAT A MINIMUM OF 2'-6" CAN BE INSTALLED.



SECTION A
SCALE: 1/2"=1'-0"

NOTE
1. INSTALL NEENAH R-5050-SF 20
AUTOMATIC DRAINAGE GATE



SECTION B
SCALE: 1/2"=1'-0"

CLV DRAWING NO. 107-V2011

RECORD DRAWINGS

MARK	DATE	BY	REVISION
10/7/94	BE	RECORD DRAWINGS	
10/5/92	AH	PER ADDENDUM N#1	

DESIGNED: JPM	PROJECT ENGINEER	DATE
DRAWN: AH	PROJECT ENGINEER	DATE
CHECKED: GPM	PROJECT MANAGER	DATE

Boyle Engineering Corporation
consulting engineers
Suite 300
1785 E. Sahara Ave. 300
Las Vegas, NV 89104
(702) 731-8511

CITY OF LAS VEGAS
DEPARTMENT OF PUBLIC WORKS

OGDEN AVENUE UNDERPASS AND ROADWAY
JUNCTION BOX No 3, No 4 AND No 5
DETAILS

DRAWING
SD6
28 OF 125

3-2-59