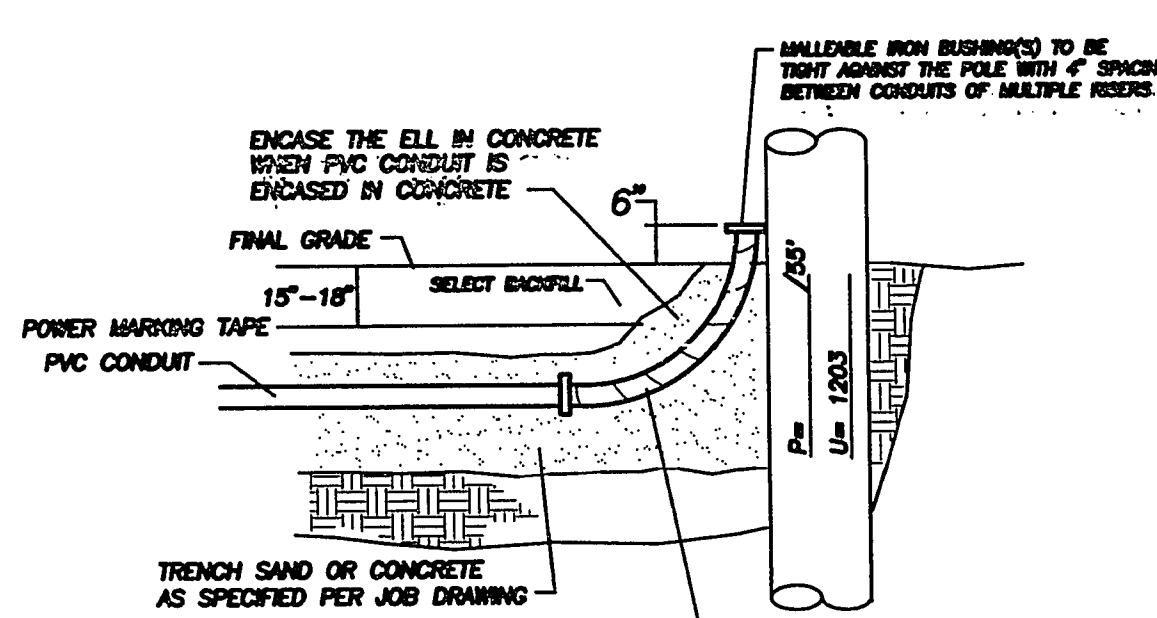
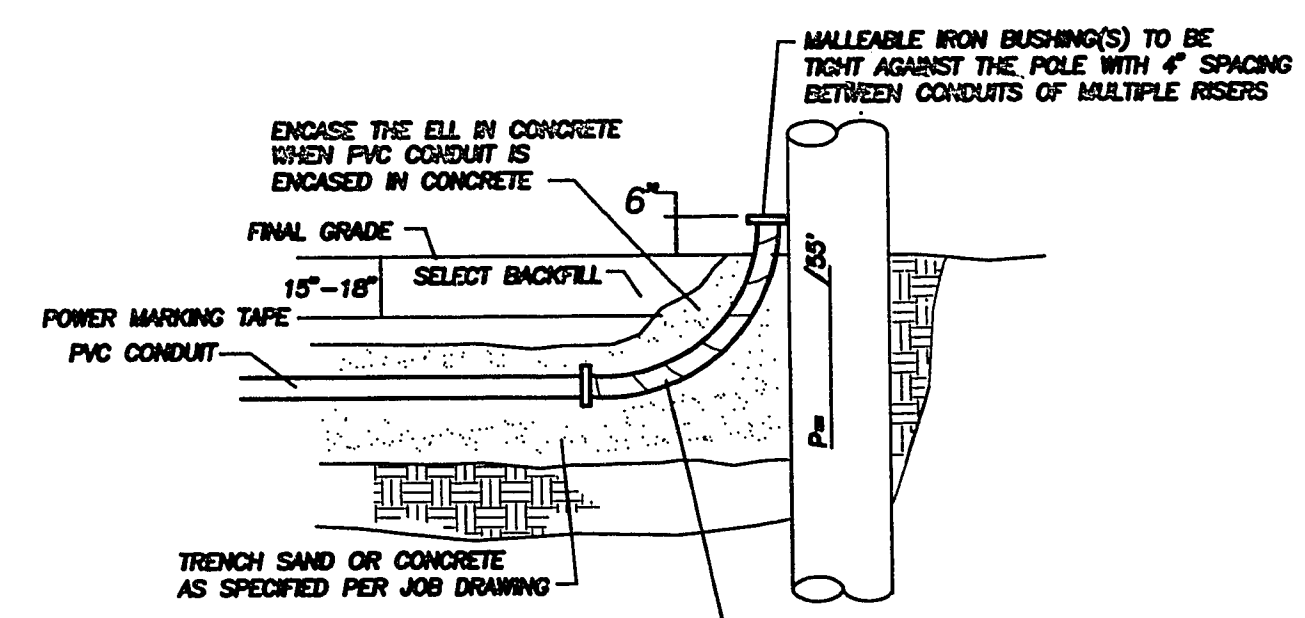


1 ENLARGED PLAN
SCALE: NONE



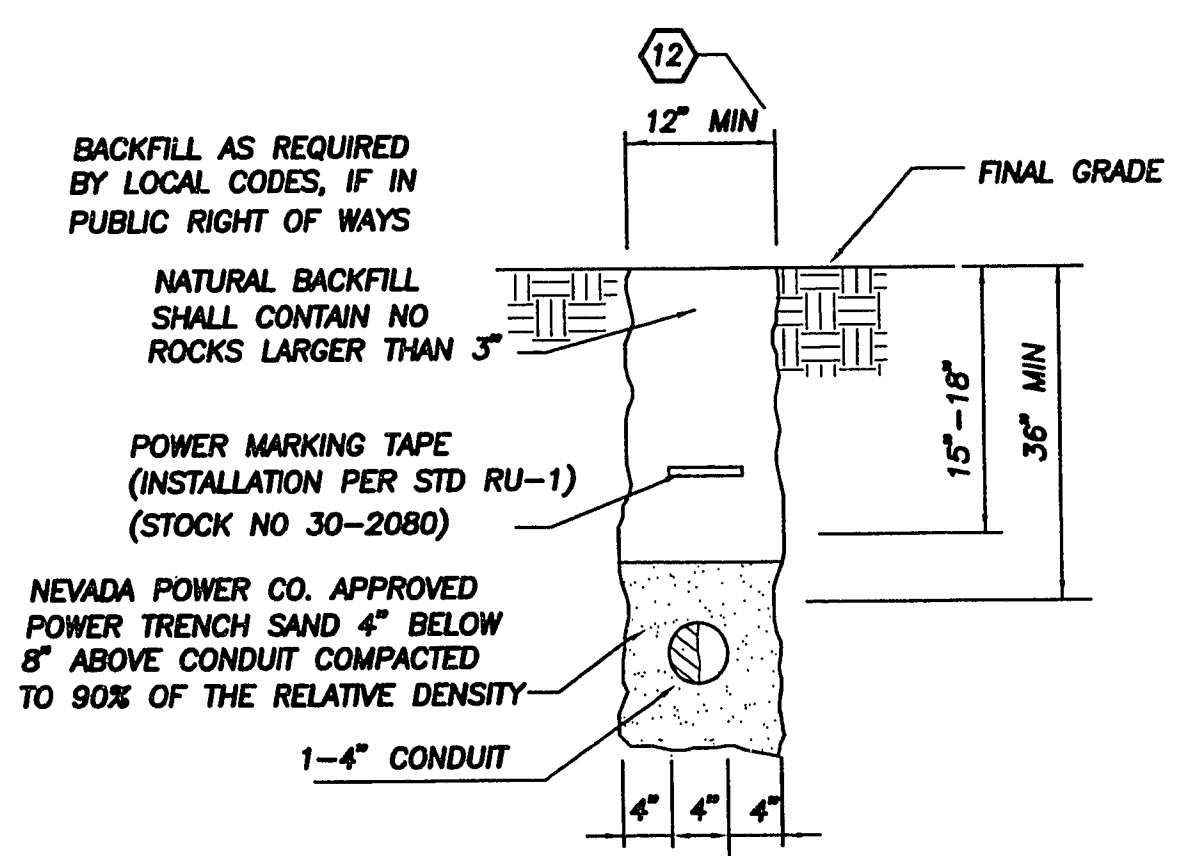
TYPICAL RISER DETAIL
CONDUIT RUN
PER NPCO STD RR-1



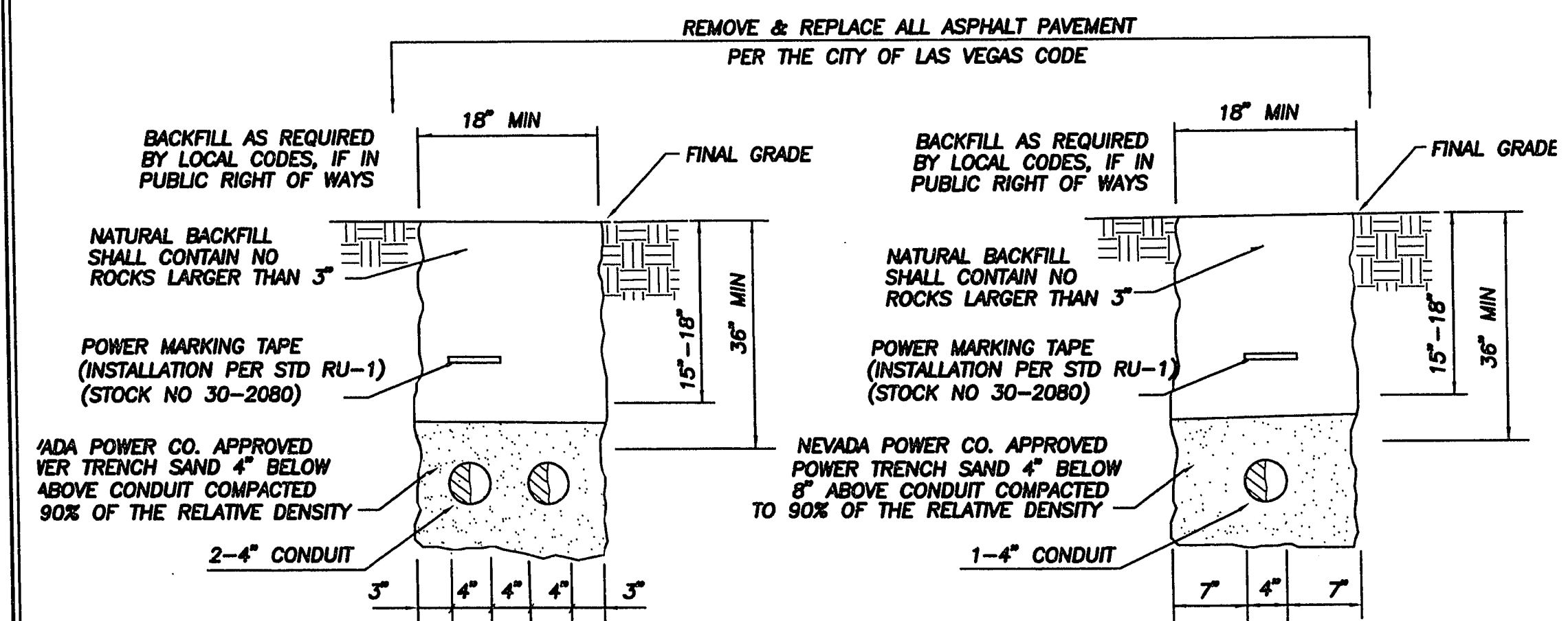
SECONDARY RISER DETAIL
CONDUIT RUN

NOTES

- 1 INSTALL 1-4", 90 DEG. RGS BEND W/36" MIN. RADIUS, TAPED OR PVC COATED, BY NPC CONTRACTOR.
- 2 INSTALL A THREE PHASE PRIMARY POLE RISER PER NPC U.G. STD. OEP-106, BY NPC.
- 3 INSTALL 1-4" PLASTIC CONDUIT PER NPC U.G. STDS. RC-1 AND RC-2, BY NPC CONTRACTOR.
- 4 INSTALL A 3'-0" X 6'-0" X 4'-0" INTERCEPT PULLBOX PER NPC U.G. STD. RS-84, BY NPC CONTRACTOR.
- 5 TOP OF PULLBOX TO BE FLUSH WITH FINAL GRADE.
- 6 EXISTING PRIMARY CABLE IN 4" CONDUIT.
- 7 EXISTING 3-1/0 15 KV AL PRIMARY CABLE IN 4" CONDUITS.
- 8 PRIMARY CABLE IN 4" CONDUIT, BY NPC.
- 11 REMOVE AND REPLACE ASPHALT.
- 14 CUSTOMER TO INSTALL NEW SERVICE TO HANDHOLE.

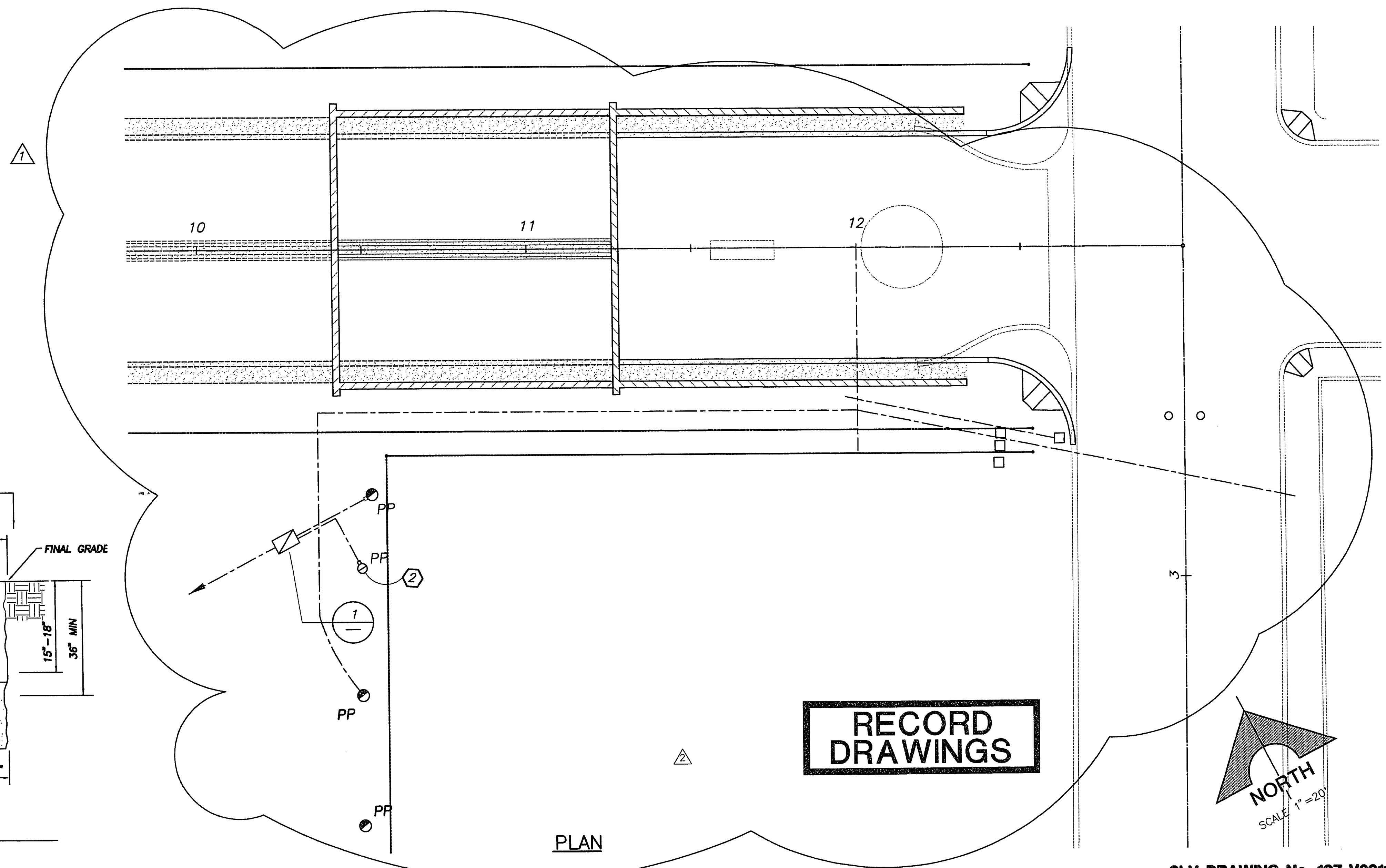


A SECTION
SCALE: NONE



B SECTION
SCALE: NONE

C SECTION
SCALE: NONE



PLAN

CLV DRAWING No. 107-V2011

MARK	DATE	BY	REVISION
1	10/7/94	BE	RECORD DRAWINGS
2	10/16/92	HR	RECORD DRAWINGS

DESIGNED: HR	PROJECT ENGINEER	DATE
DRAWN: ARG	PROJECT MANAGER	DATE
CHECKED: GWS		

B Boyle Engineering Corporation
consulting engineers
Suite 300
1785 E. Sahara Ave.
Las Vegas, NV 89104
(702) 731-5511

CITY OF LAS VEGAS
DEPARTMENT OF PUBLIC WORKS

OGDEN AVENUE UNDERPASS AND ROADWAY
CONDUIT SYSTEMS FOR NEVADA POWER,
CENTEL AND PRIME CABLE, EAST

DRAWING
E4
114 OF 121
OGSHE004

3015