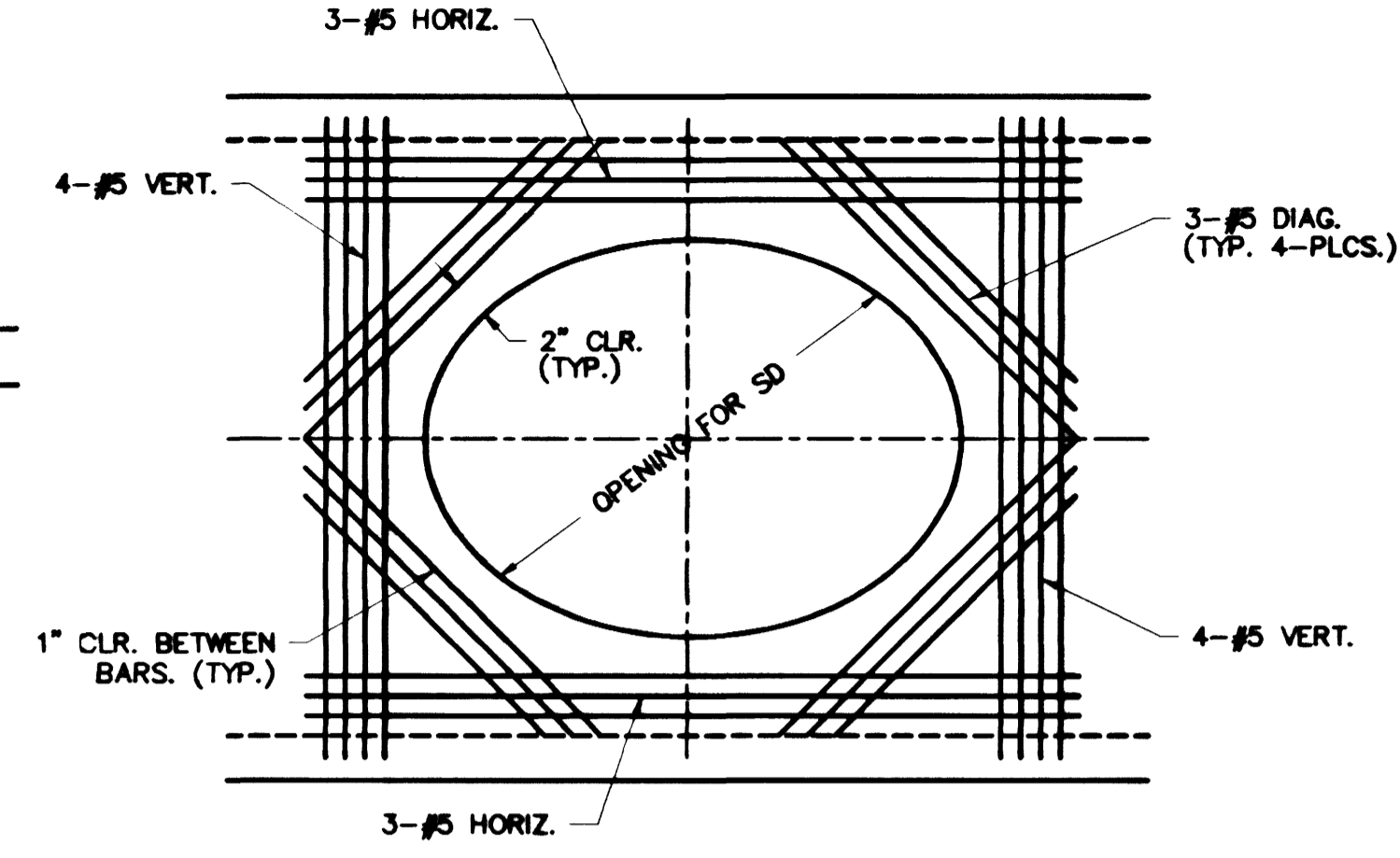
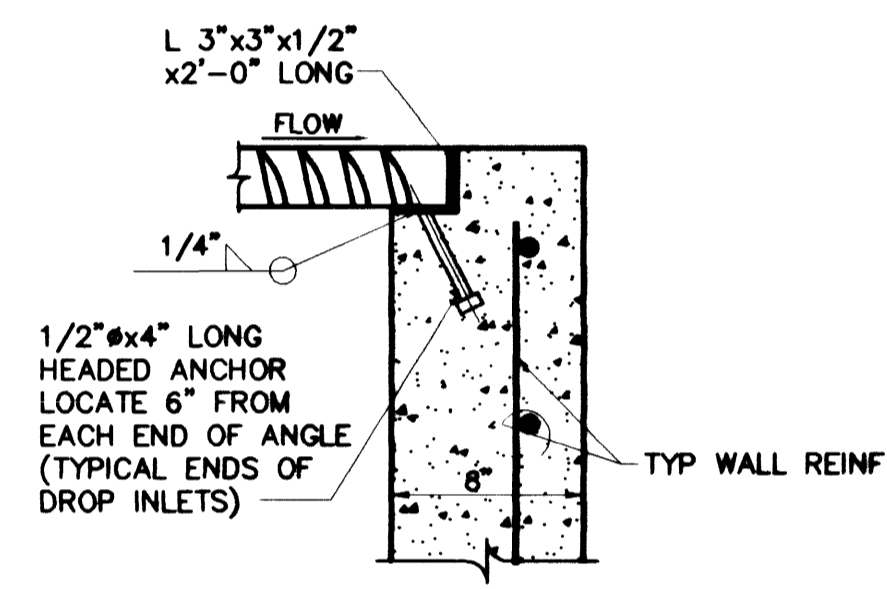


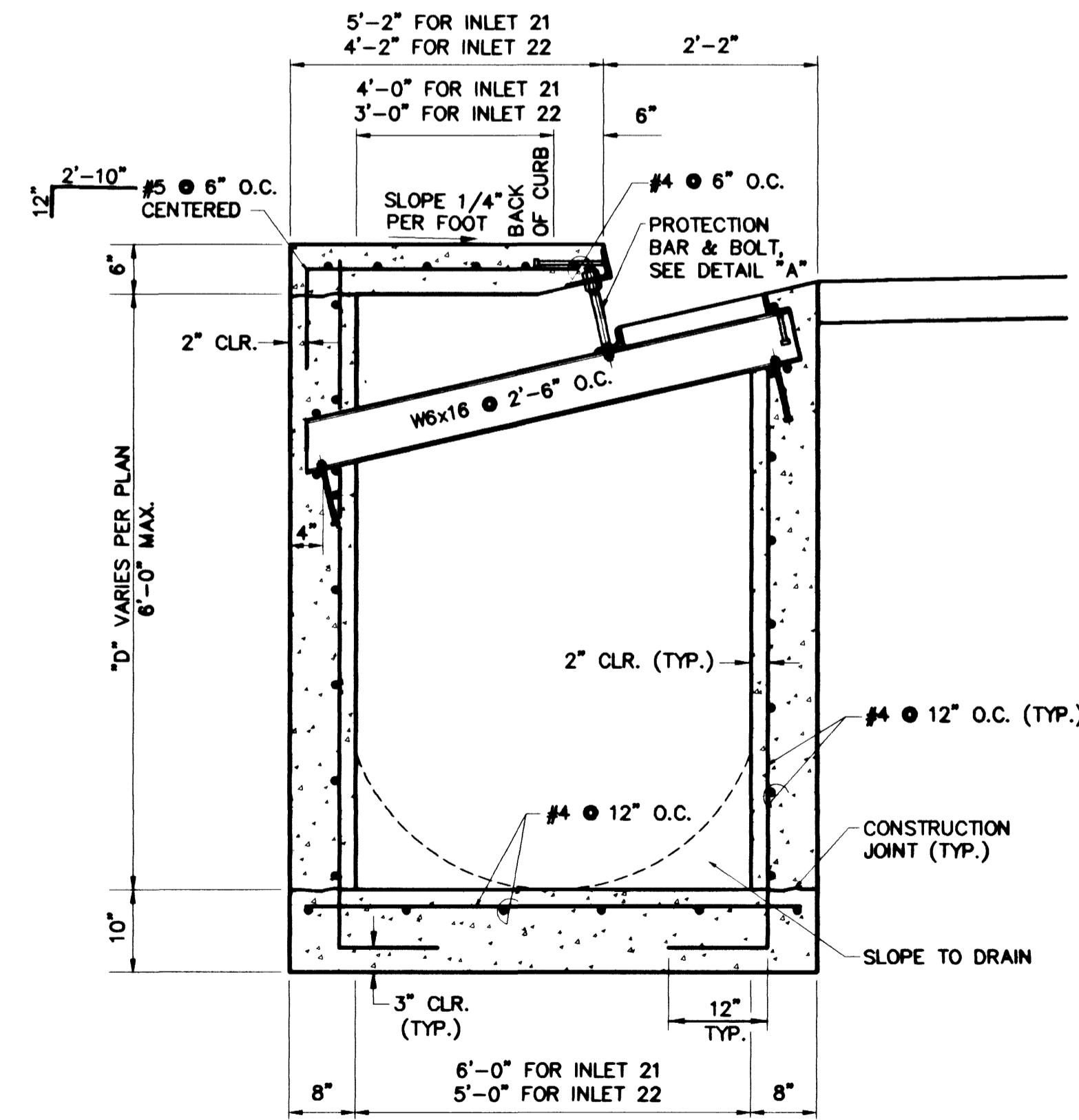
**SECTION "C"**  
SCALE 3/4"=1'



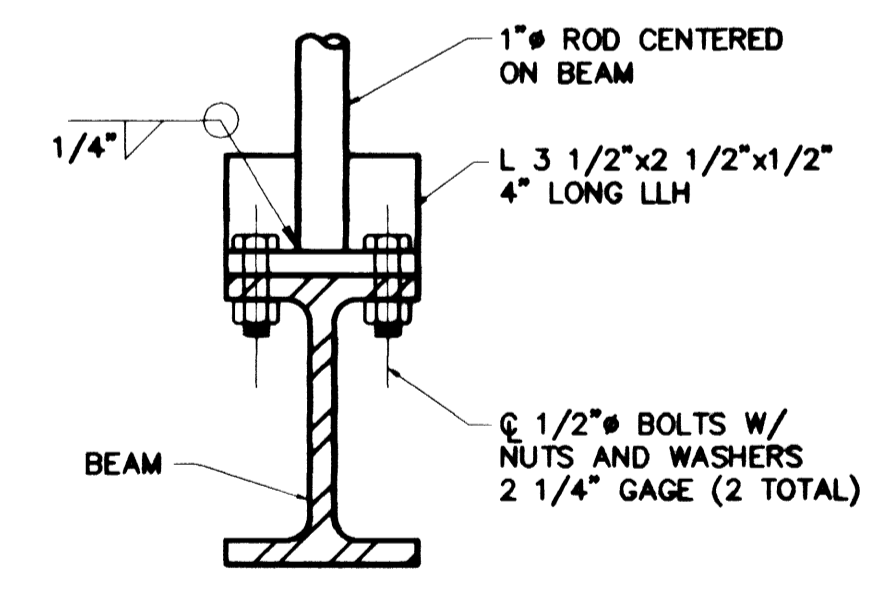
**SECTION "A"**  
SCALE 3/4"=1'



**SECTION "B"**  
SCALE 1-1/2"=1'

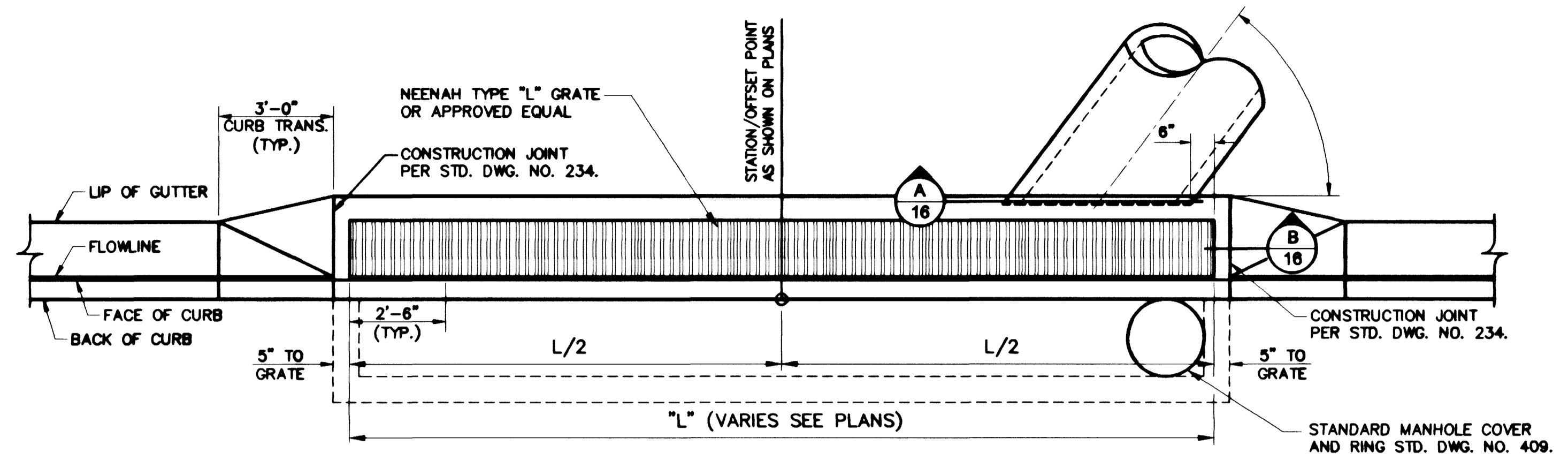


**SECTION "D"**  
SCALE 3/4"=1'

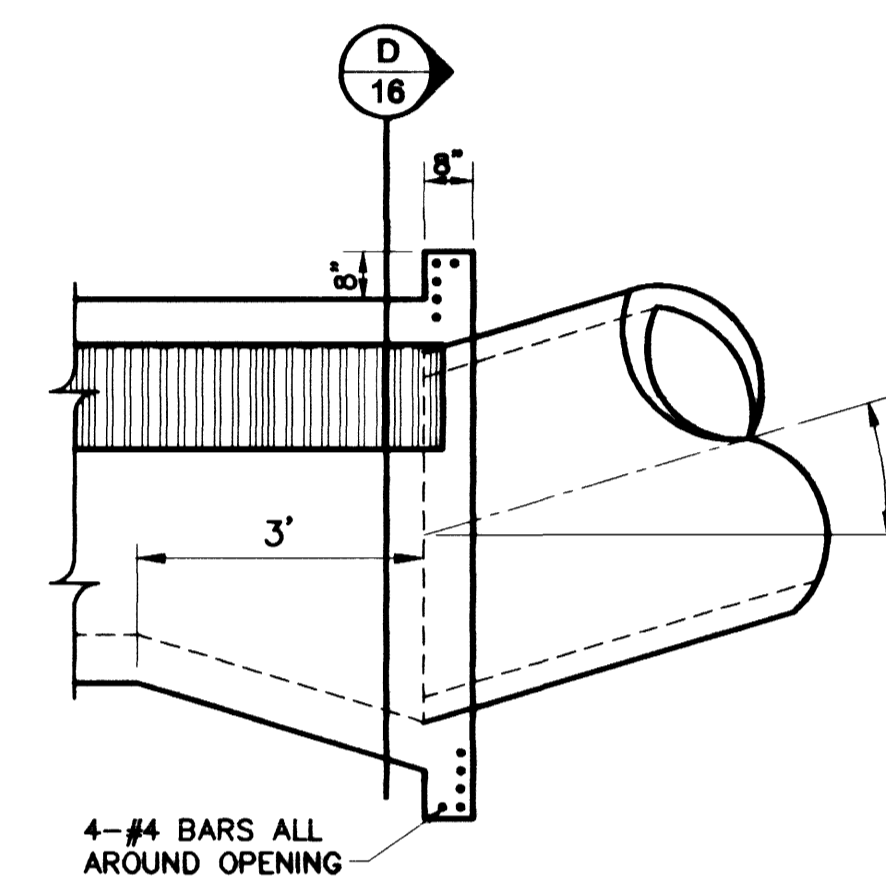


**DETAIL "B"**  
SCALE 3"=1'

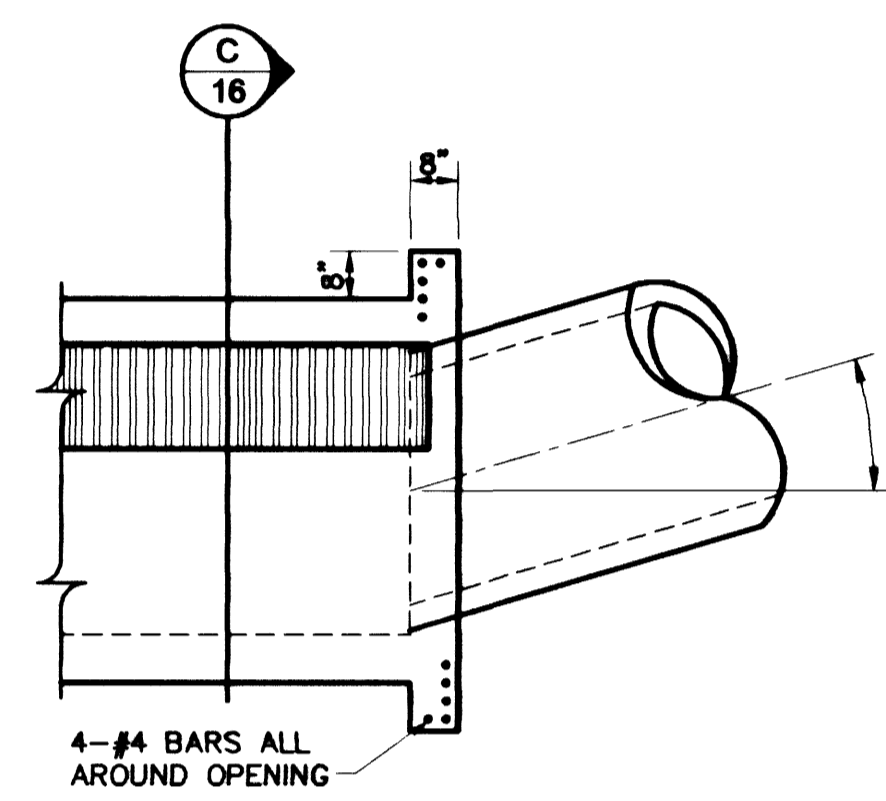
**NOTES**  
SEE SHEET 15 FOR NOTES



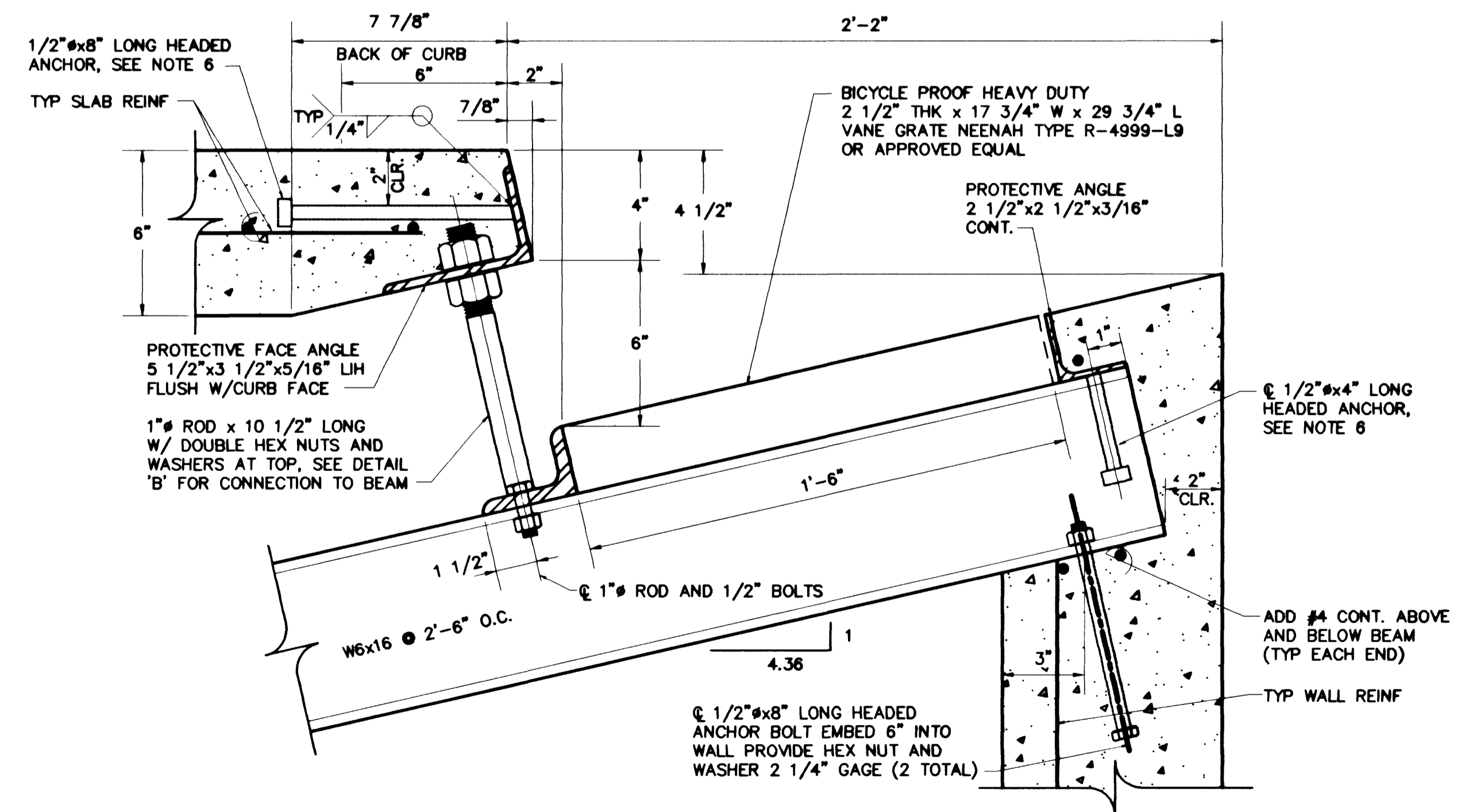
**DROP INLET LAYOUT PLAN**  
SCALE 3/8"=1'



**ALTERNATE CONNECTION DETAIL FOR DROP INLETS 21 AND 22**  
SCALE 3/8"=1'



**ALTERNATE CONNECTION DETAIL**  
SCALE 3/8"=1'



**PROTECTIVE FACE & ROD - DETAIL "A"**  
SCALE 3"=1'

DATE	
BY	
REVISIONS	
NO.	
JOB NO.	LV99009
DESIGN BY	R.E.
DATE	05/00
SCALE (V)	N/A
SCALE (H)	N/A
CADFILE	LV99009_16
<b>PROJECT ENGINEERING CONSULTANTS, LTD.</b> 7320 SMOKE RANCH ROAD, SUITE H LAS VEGAS, NV 89126	
<b>PEAK DRIVE</b> <b>STORM DRAIN &amp; SANITARY SEWER IMPROVEMENTS</b> <b>TORREY PINES DRIVE TO JONES BLVD.</b> <b>MODIFIED TYPE 'C' DROP INLET</b>	
SHEET	16
16 OF 27 SHEETS	
DRAWING NO.	307-V801

28651