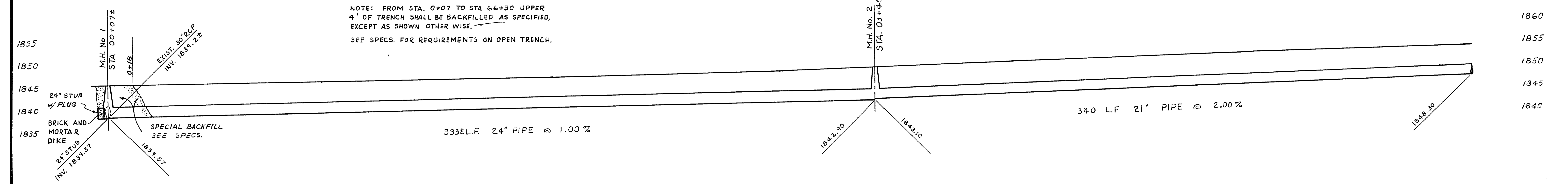
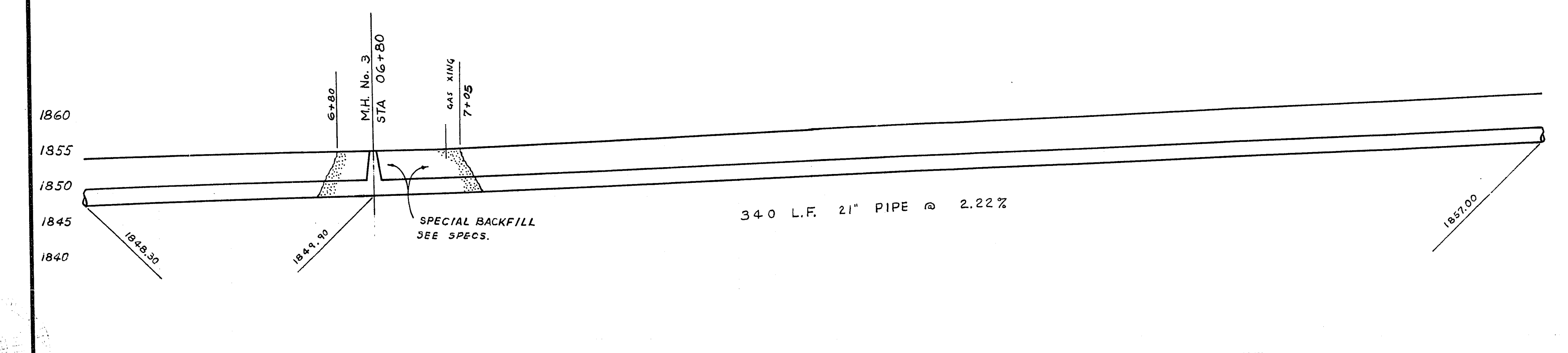
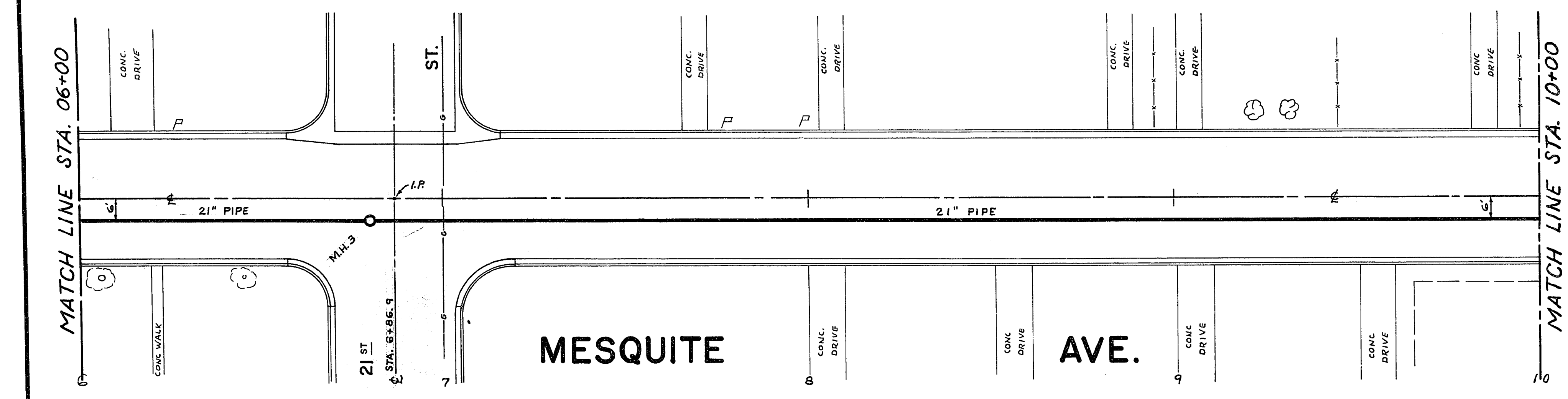


NOTE: BUILD INVERTS IN M.H. No. 1 SO THAT FLOW FROM NEW 24" PIPE TURNS N. IN EXIST. 30" RCP. ALSO BUILD INVERTS FOR FUTURE FLOW TO PASS THRU M.H. TO EAST. BUILD BRICK & MORTAR DIKE IN 24" PIPE TO EAST.

NOTE: FROM STA. 0+07 TO STA. 66+30 UPPER 4' OF TRENCH SHALL BE BACKFILLED AS SPECIFIED, EXCEPT AS SHOWN OTHERWISE. SEE SPECS. FOR REQUIREMENTS ON OPEN TRENCH.



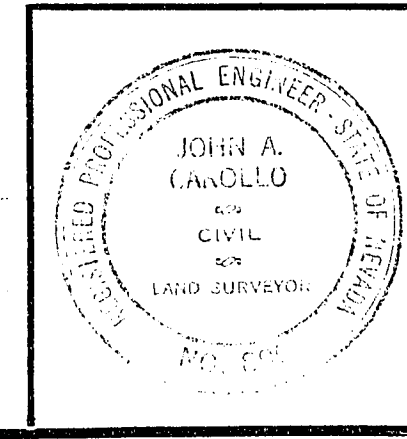
NOTE: PROFILE ON SURVEY LINE



SCALE
HORIZONTAL - 1"=20'
VERTICAL - 1"=10'

APPROVED
DIRECTOR OF PUBLIC WORKS
R.P. Sauer 5-27-48
R. P. SAUER
SUPERINTENDENT OF SANITATION
L.A. Anton 5-27-48
L. A. ANTON

AS BUILT



JOHN CAROLLO ENGINEERS PHOENIX - BERKELEY		ROBERT M. CURRING H. HARVEY HUNT DONALD R. FRIEHLER HOWARD H. WAT
LAS VEGAS NEVADA ODDEN - MESQUITE AVE. SEWER MAIN ST. TO 23 RD. ST.		
PLAN & PROFILE STA. 0+00 TO 10+00		
DESIGNED B.M.L.	CHECKED B.M.L.-RW	DATE APR 65
DRAWN D.C. T.D.	TRACED	REVISED
DRAWING NO. 7829 B-1421.3		SHEET 2 of 11