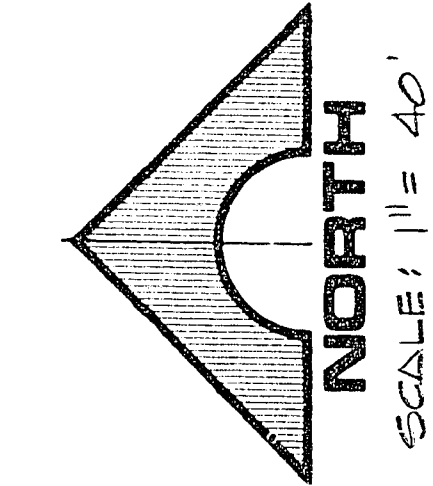


NOTE: FOR CEDAR AVE. CHANNEL IMPROVEMENTS. SEE SHT. SD-20

CEDAR AVE.

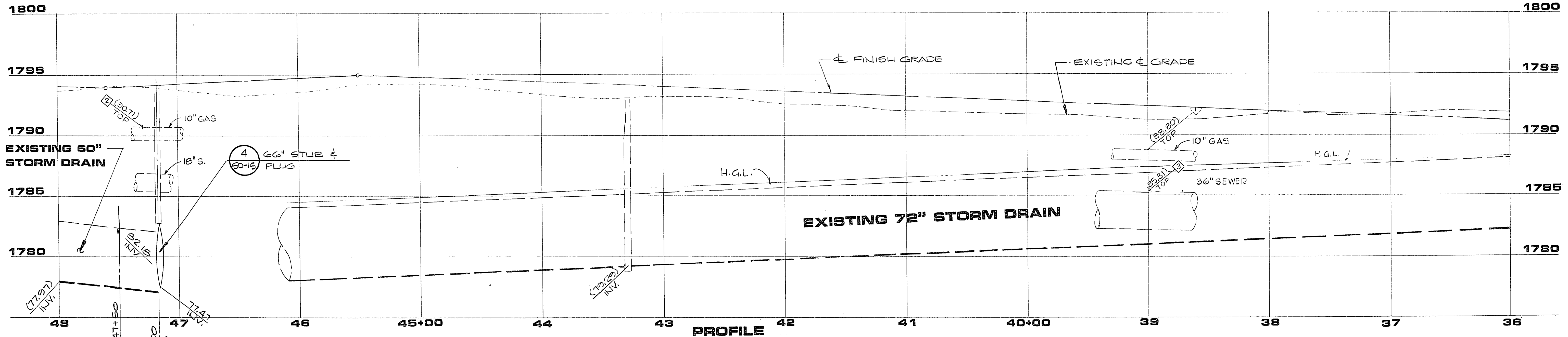
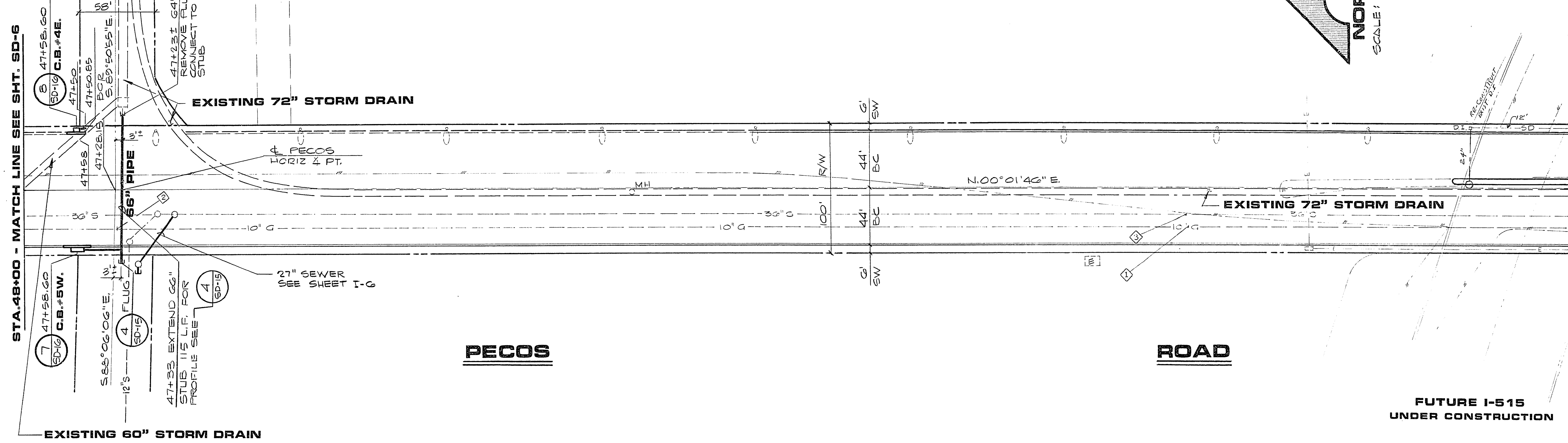
(DRAINAGE EASEMENT ONLY)

MONTEBELLO (PRIVATE ROAD)



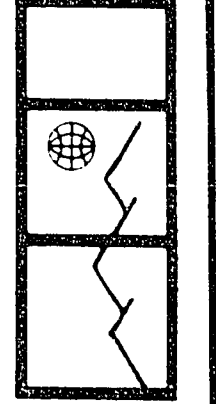
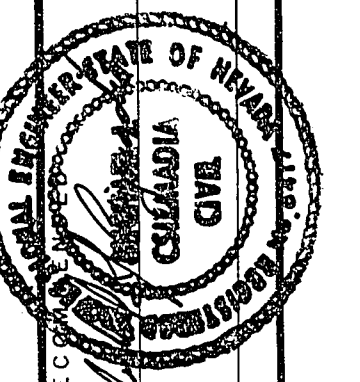
STA. 48+00 - MATCH LINE SEE SHT. SD-6

STA. 36+00 - MATCH LINE SEE SHT. SD-4



SCALE: HORIZ. 1"=40' VERT. 1"=4'

REV	DATE	DESCRIPTION
1	12/13	DATE
2		R.E. NO.



G.C. WALLACE
Consulting Engineers, Inc.
1100 East Sahara Ave. • Las Vegas, Nevada 89104 • 732-3330

DEPARTMENT OF PUBLIC SERVICES
PECOS ROAD - STORM DRAIN
PLAN & PROFILE STA. 36+00 TO 48+00

SHEET
59
OF 61 SHEETS

JOB NO. 412.160