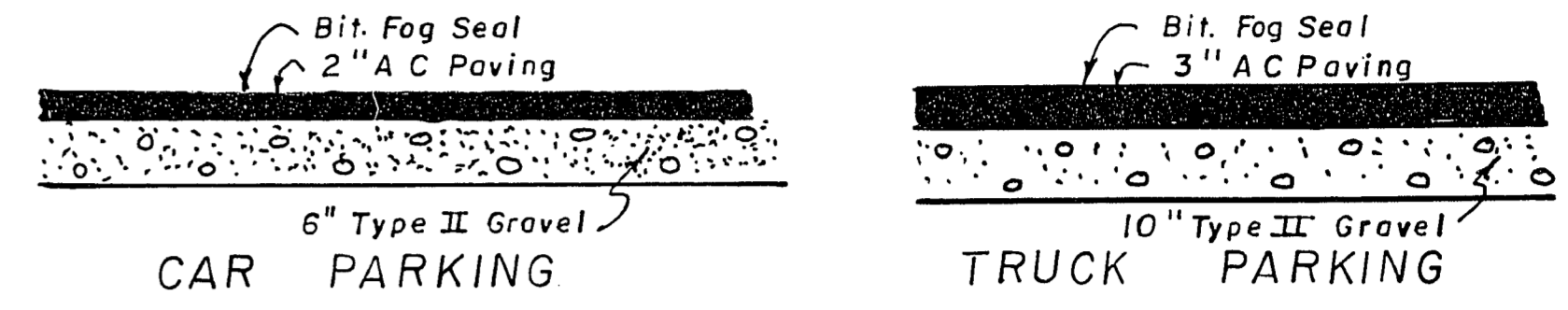


PAVING DETAILS



LEGEND

Existing Grade 00.00
 New Finish Grade 00.00FG.

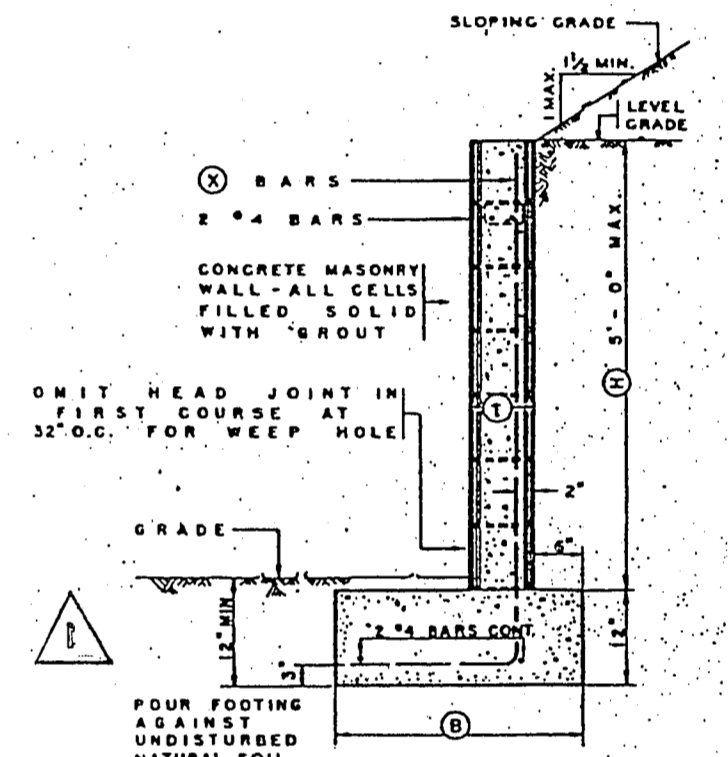
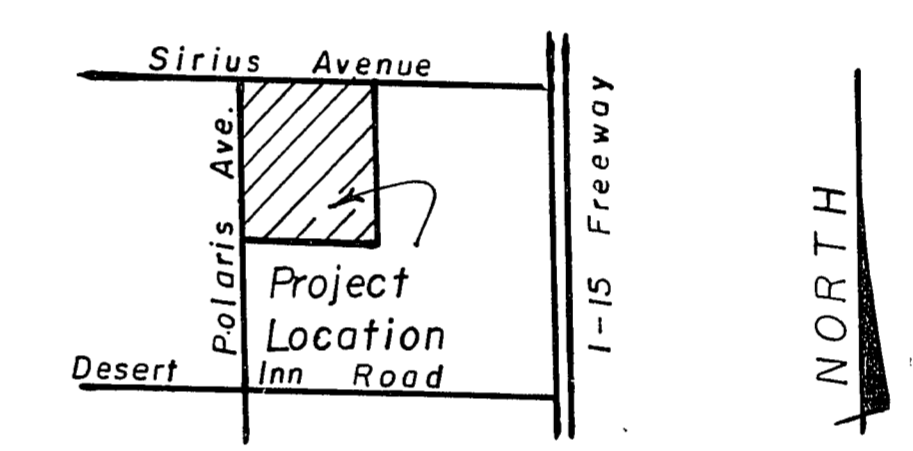
BENCH MARK

Clark County Engineering Bench Mark
 # C1117D1 on North Rim of M.H. Desert
 Inn Road and Polaris St. Elevation 2133.14

NOTES

- See Soils Report
- Grade all Planter Areas
- 6" Type II Gravel under all Concrete.

LOCATION MAP



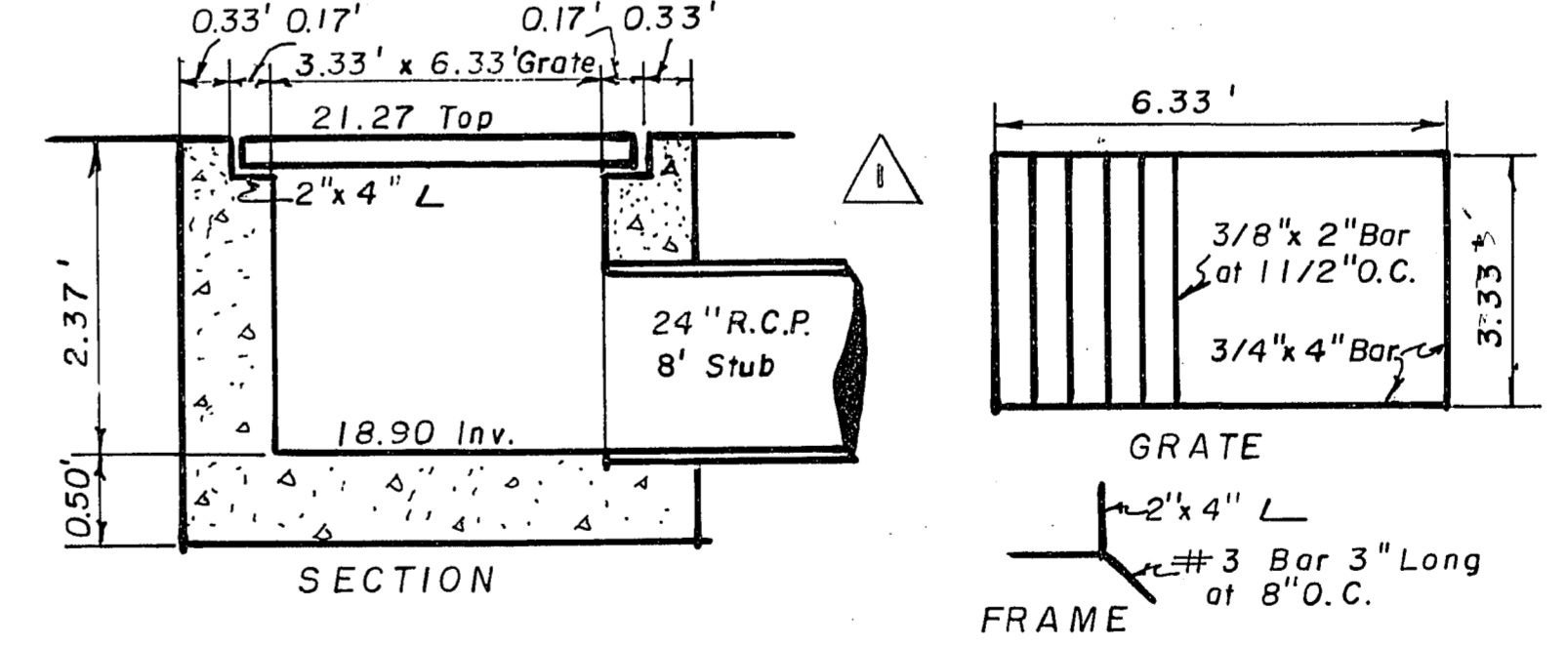
APPROVALS

Karsten T. Bronken 2/15/80
 Consulting Engineer Date
City Engineer 2/13/80
 City Engineer Date
Quality Control Engineer 10-13-80
 Quality Control Engineer Date

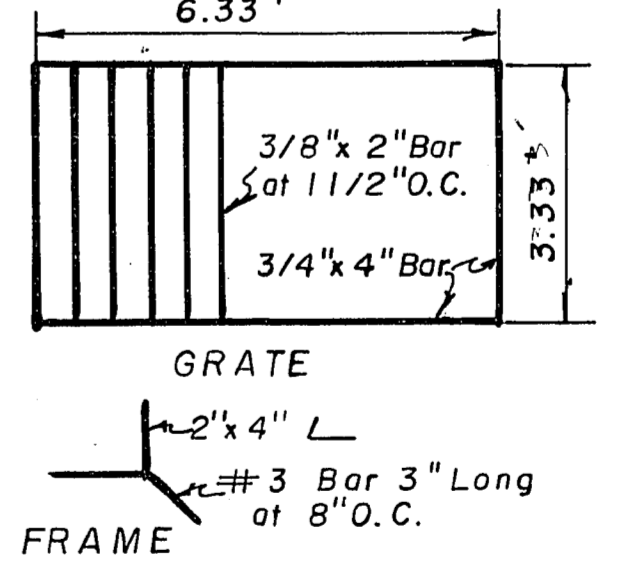


Note: Leave out Block
 Width of Channel
 Elev. 21.57 to
 Elev. 22.24

DROP INLET



RETAINING WALL



PLOT AND GRADING PLAN FOR PEPSI-COLA

KARSTEN T. BRONKEN
 Consulting Engineers
 1818 Industrial Road
 LAS VEGAS, NEVADA 89102

Revised - Onsite Fire Hydrant 10/14/80
 Revised - Site Grading

REV. No	DESCRIPTION	APPROVED
1	ADD RETAINING WALL ON EAST BOUNDARY PLUS WALL DETAILS & DROP INLET. RELOCATE ON SITE DRAINAGE SWALE	1-16-81 GT